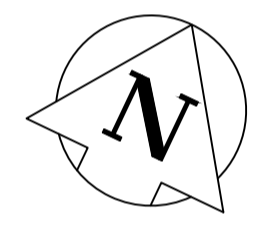
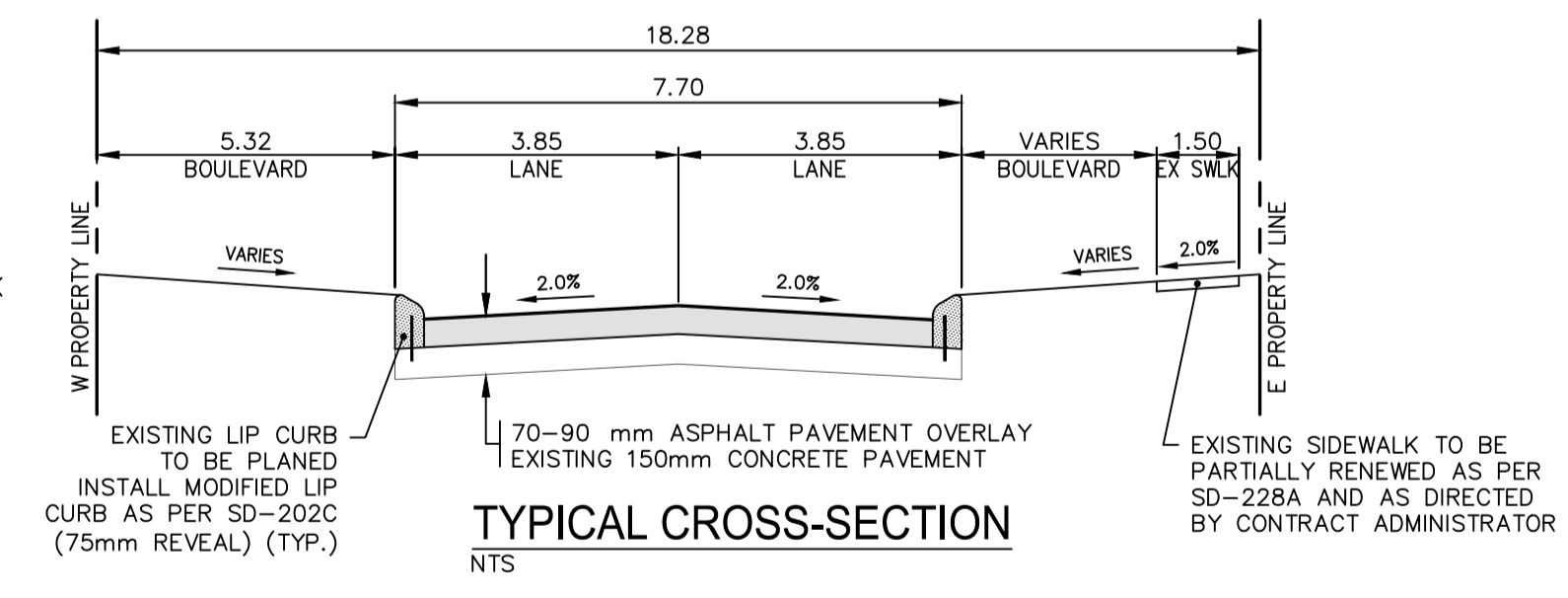


- NOTES:**
1. ALL WORK AND MATERIALS TO BE IN ACCORDANCE WITH THE LATEST REVISION OF THE CITY OF WINNIPEG STANDARD CONSTRUCTION SPECIFICATIONS.
 2. CONTRACTOR TO CONFIRM THE LOCATION OF ALL UTILITIES/SERVICES IN THE FIELD PRIOR TO CONSTRUCTION.
 3. ALL ROADWAY DIMENSIONS SHOWN ARE TO BACK OF CURB.
 4. EXISTING ASPHALT TO BE PLANNED AS SHOWN OR AS DIRECTED BY CONTRACT ADMINISTRATOR.
 5. 150mm PARTIAL CONCRETE SLAB PATCHES SHOWN ARE ONLY A REPRESENTATIVE APPROXIMATION OF THE TENDERED QUANTITIES.
 6. EXISTING SIDEWALK TO BE RENEWED AS PER SD-228A AND AS DIRECTED BY CONTRACT ADMINISTRATOR.
 7. PLANE EXISTING CURB AND INSTALL MODIFIED LIP CURB AS PER SD-202C AND AS DIRECTED BY CONTRACT ADMINISTRATOR.
 8. ALL PRIVATE WALKWAYS TO BE ADJUSTED TO NEW SIDEWALK OR TOP OF CURB ELEVATION, AS DIRECTED BY THE CONTRACT ADMINISTRATOR.
 9. EXISTING LIP CURB AT PRIVATE APPROACHES TO BE RENEWED AS DIRECTED BY CONTRACT ADMINISTRATOR.
 10. PAVEMENT REPAIR FABRIC TO BE INSTALLED AS SHOWN OR AS DIRECTED BY CONTRACT ADMINISTRATOR.
 11. MODIFIED BARRIER CURB TO BE CONSTRUCTED AT ALL INTERSECTION RADI AND ALLEY RADI.
 12. OVERLAY EXISTING CONCRETE AND ASPHALT RESIDENTIAL APPROACHES AS DIRECTED BY CONTRACT ADMINISTRATOR.
 13. CONTRACTORS TO TAKE PRECAUTIONARY STEPS TO PROTECT EXISTING TREES WITHIN THE LIMITS OF CONSTRUCTION FROM DAMAGE FROM CONSTRUCTION ACTIVITIES AS OUTLINED IN THE SPECIFICATIONS.
 14. LAMP STANDARDS, HYDRO POLES, AND ANCHORS THAT REQUIRE TEMPORARY SUPPORT, REMOVAL OR REPLACEMENT, TO BE DONE SO AT THE EXPENSE OF THE CONTRACTOR AS NECESSARY.
 15. ALL BOULEVARDS TO BE SODDED UNLESS OTHERWISE NOTED.
 16. ADJUST ALL WATER VALVES, HYDRANTS, MANHOLES, AND CATCH BASINS IN WORK AREA TO GRADE.



METRIC
WHOLE NUMBERS INDICATE MILLIMETRES
DECIMALIZED NUMBERS INDICATE METRES

**ENGINEERS
GEOSCIENTISTS
MANITOBA**
Certificate of Authorization
WSP Canada Inc.
No. 5750

FOR TENDER PURPOSES ONLY
NOT FOR CONSTRUCTION

EXISTING	LEGEND-PLAN	PROPOSED	EXISTING	LEGEND-PLAN	PROPOSED	EXISTING	LEGEND-PLAN	PROPOSED
---	WATER MAIN	---	⊗	VALVE	⊗	---	EDGE OF SIDEWALK	---
---	LAND DRAINAGE SEWER	---	⊙	CURB STOP	⊙	---	EDGE OF ASPHALT	---
---	WASTE WATER SEWER	---	⊙	HYDRO POLE & LIGHT STANDARD	⊙	---	EDGE OF CONCRETE	---
---	HYDRO	---	⊙	LIGHT STANDARD OR TRAFFIC SIGNAL	⊙	---	MODIFIED BARRIER CURB	---
---	GAS	---	⊙	HYDRO POLE / ANCHOR	⊙	---	BARRIER CURB	---
---	COMMUNICATIONS	---	---	FENCE	---	---	BARRIER CURB AND GUTTER	---
---	SIGNALS	---	---	PROPERTY LINE	---	---	PAVING STONE	---
○	MANHOLE	●	---	TEST HOLE / PAVEMENT CORE	---	---	CONCRETE SIDEWALK	---
□	CATCH BASIN/CATCH PIT	■	---	ELEVATIONS	---	---	CONCRETE SLAB	---
△	CURB INLET	▽	---	CURB RAMP	---	---	ASPHALT	---
◇	UTILITIES ADJUSTED	◇	---	DETECTABLE WARNING SURFACE TILE	---	---	MILLED SURFACE	---
⊙	HYDRANT	⊙	---		---	---	PAVEMENT REPAIR FABRIC	---

LOCATIONS APPROVED UNDERGROUND STRUCTURES

SIGNED BY: _____ DATE: _____

NO. REVISIONS

NO.	REVISIONS	DATE	BY
7			
6			
5			
4			
3			
2			
1			
0	ISSUED FOR TENDER	20250208	K.G.

wsp

DESIGNED BY: N.T. CHECKED BY: K.G.
DRAWN BY: K.C.W.D./N.T. APPROVED BY: S.S.

HOR. SCALE: 1:250
VERTICAL: 1:10

ISSUED FOR CONSTRUCTION: RELEASED FOR CONSTRUCTION

DATE: DECEMBER 2024

THE CITY OF WINNIPEG
PUBLIC WORKS DEPARTMENT
ENGINEERING SERVICES DIVISION

2025 LOCAL STREET RENEWALS
WHITEWAY ROAD

MAJOR REHABILITATION
STA. 3+05 TO STA. 4+00.93

CITY DRAWING NUMBER: SHEET 14 OF 26
TENDER NO. 167-2025

CONSULTANT ACAD DWG. NO. CA0043425.6941-14

Feb 26, 2025 - 2:26pm
P:\2024\CA0043425.6941 - ca-25-r-07 local streets\03_Work_Dwg\CA0043425.6941 -tab:167-2025_Drawing_CAO043425.6941-14-10