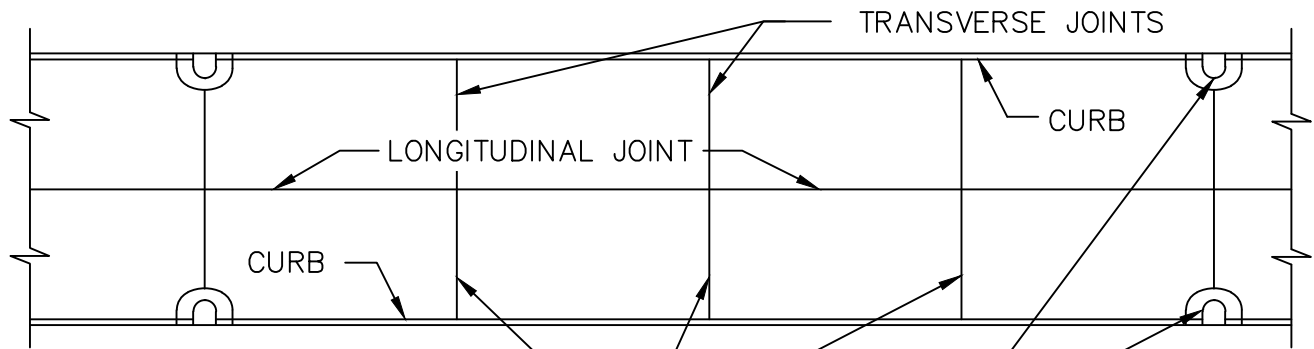


**APPENDIX 'E' – BARRIER CURB AND ARCHED GUTTER
INLET FRAME, BOX AND INLET COVER**



TRANSVERSE JOINT SPACING TO BE ADJUSTED SO THAT JOINT FALLS ON CENTRE OF CURB AND GUTTER INLET ISOLATION

CURB AND GUTTER INLETS

NOTE:

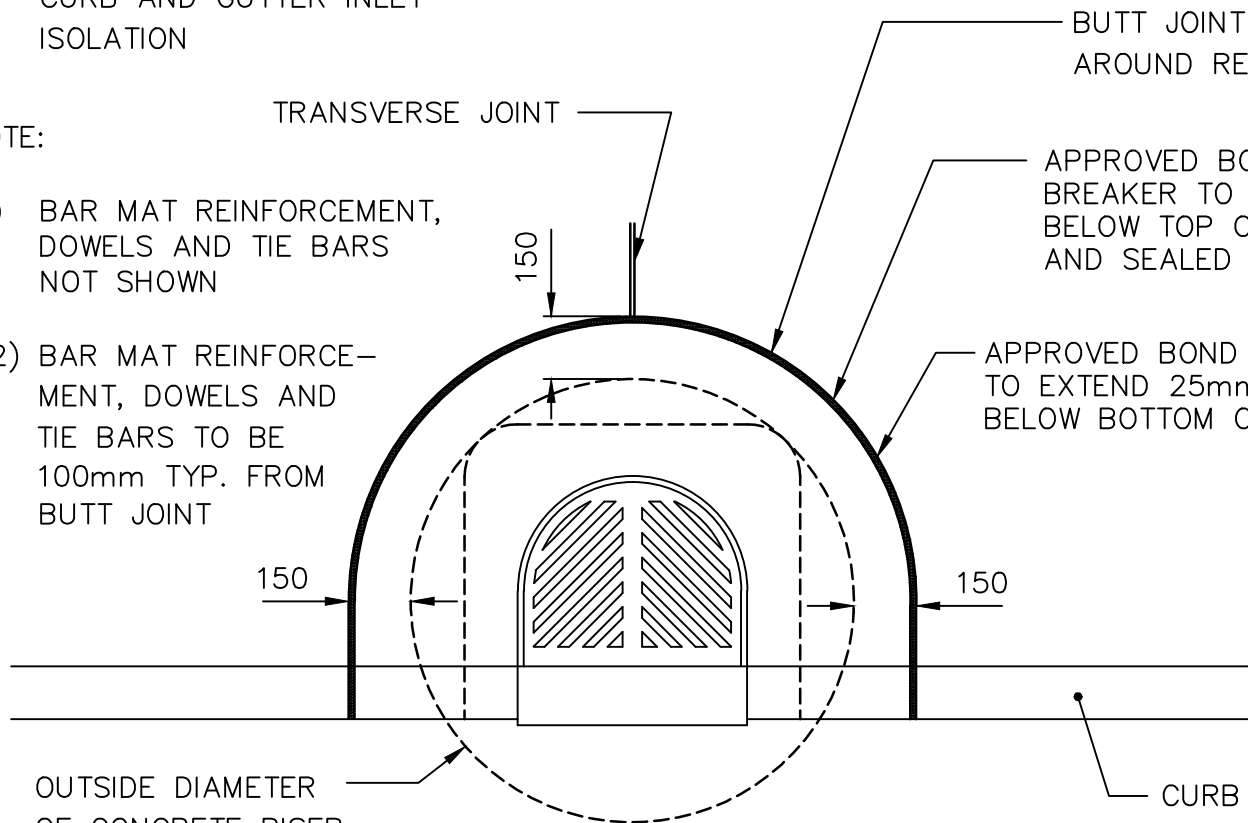
- 1) BAR MAT REINFORCEMENT, DOWELS AND TIE BARS NOT SHOWN
- 2) BAR MAT REINFORCEMENT, DOWELS AND TIE BARS TO BE 100mm TYP. FROM BUTT JOINT

TRANSVERSE JOINT

BUTT JOINT ALL AROUND REF. SD-212

APPROVED BOND BREAKER TO BE BELOW TOP OF CONC. AND SEALED

APPROVED BOND BREAKER TO EXTEND 25mm-50mm BELOW BOTTOM OF CONC.



OUTSIDE DIAMETER OF CONCRETE RISER
REF. SD-023
SD-024

DIMENSIONS IN MILLIMETRES



THE CITY OF WINNIPEG
PUBLIC WORKS DEPARTMENT

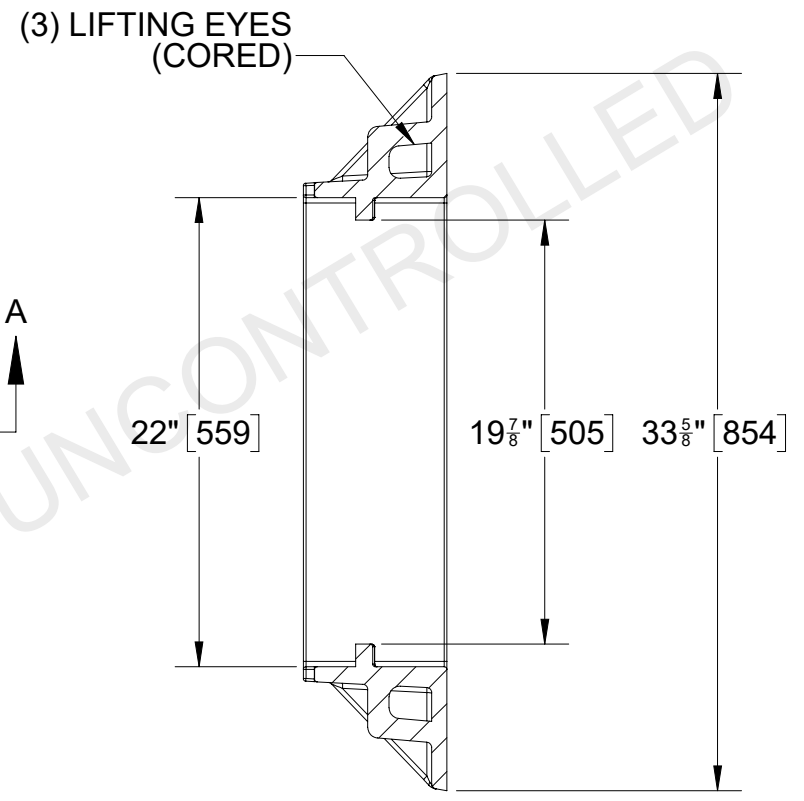
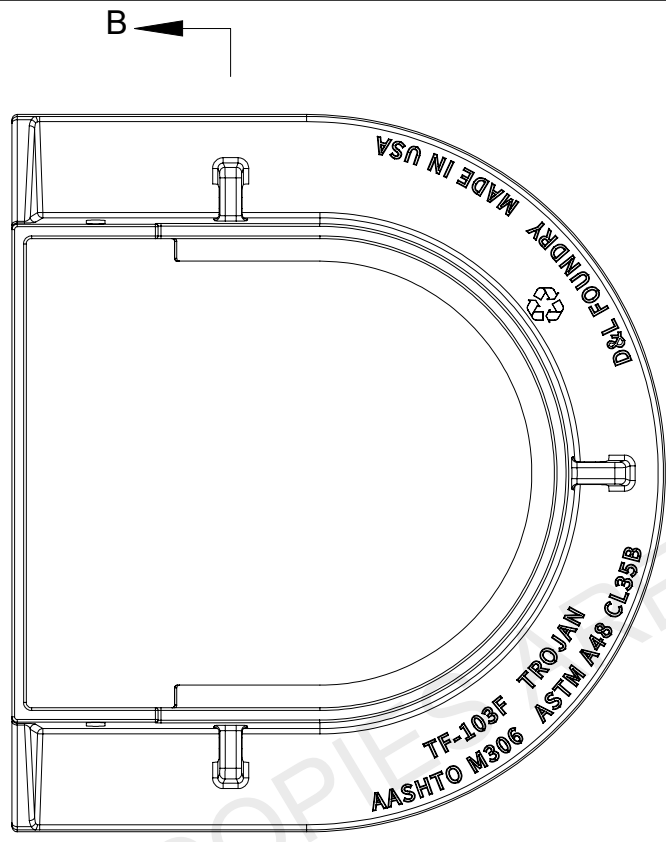
Reference Spec. No.
CW 3210, CW 3230, CW 3310

Revisions

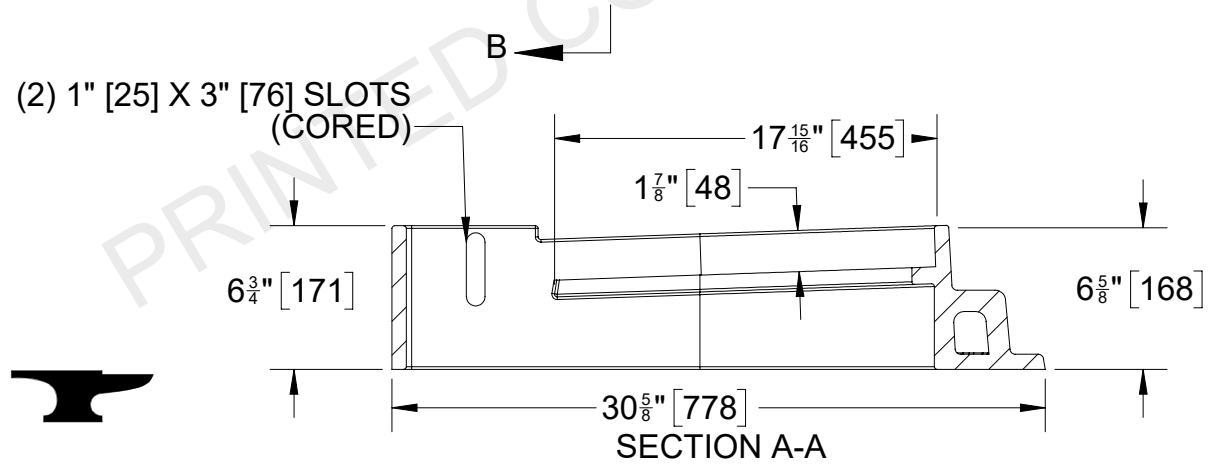
No.	Date	Description	By
1.	FEB 25	ADDED ROUNDED FRAME	T.K.

CURB AND GUTTER INLET
ISOLATION DETAIL

Designed By: L.S.W.L. / K.T.	Drawn By: T.G.A	Scale : N.T.S.
Checked By: B.P.	Date: 2024-10-01	Drawing No. SD-220C
Approved: PAVEMENT MANAGEMENT BRANCH		



SECTION B-B



SECTION A-A



D&L Foundry, Inc.
"The Iron Men"
 MADE IN THE USA
 THE INFORMATION CONTAINED IN THIS DRAWING IS THE SOLE PROPERTY OF D&L FOUNDRY, ANY REPRODUCTION IN PART OR AS WHOLE WITHOUT THE WRITTEN PERMISSION OF D&L FOUNDRY IS PROHIBITED

PART NUMBER
TF-103F
MODIFIED

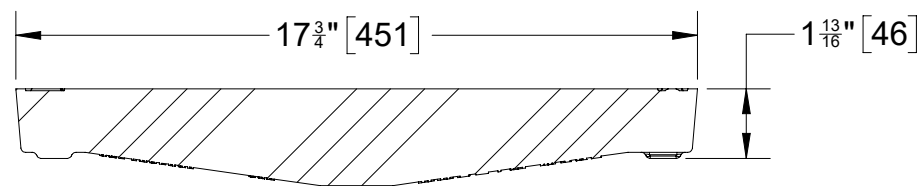
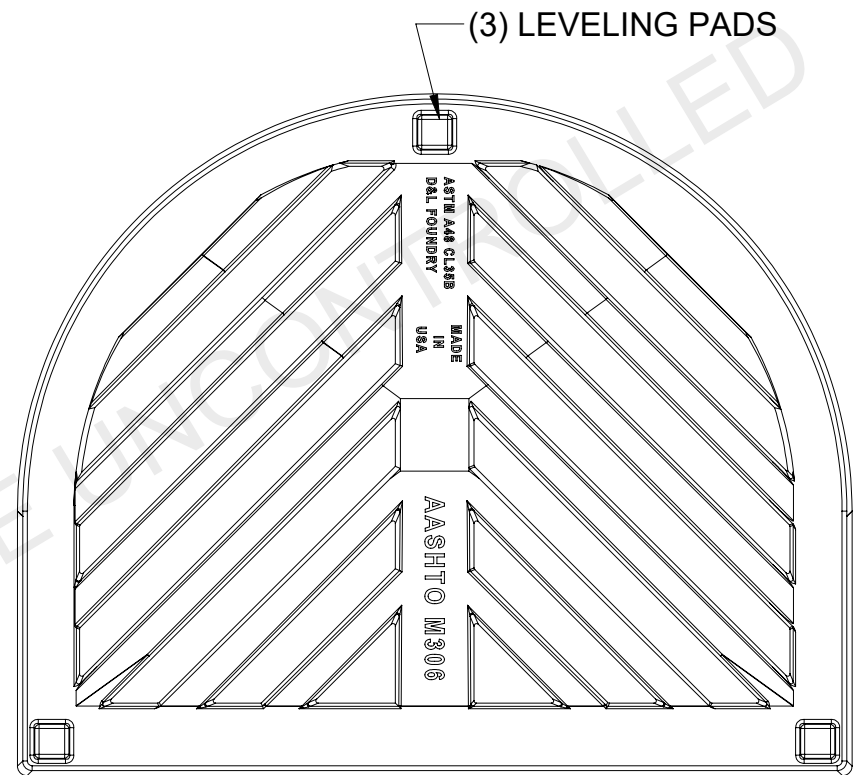
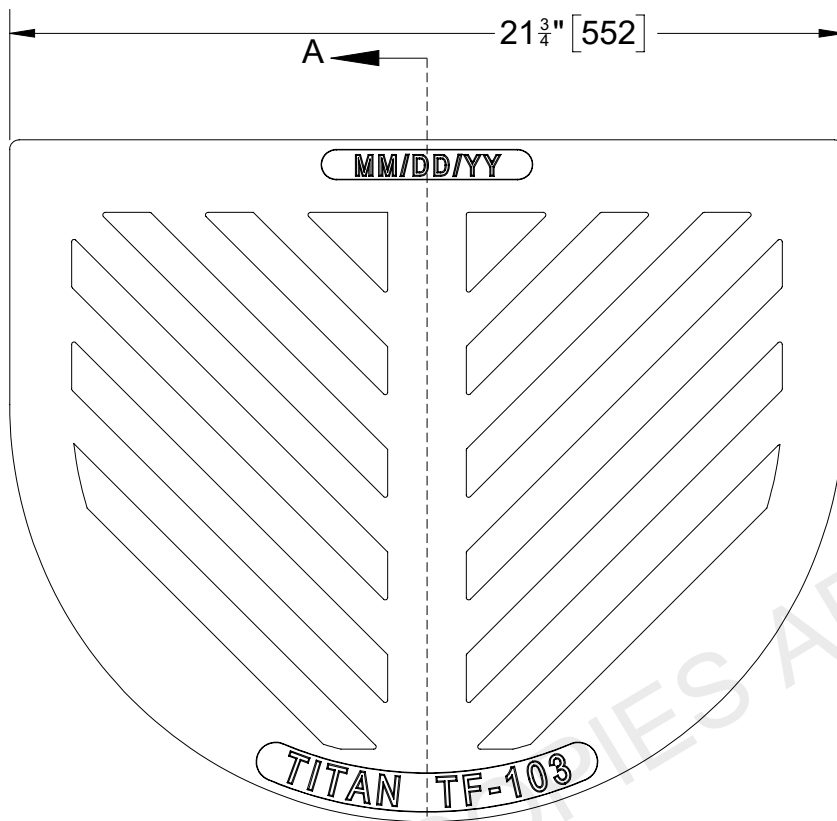
DATE	DESCRIPTION	DRAWN	APPROVED
7/18/24	NEW PATTERN FOR TF-103 SERIES	D.C.	

GRAY IRON CONFORMS TO
 ASTM A48 CL35B
 AASHTO M306

 AASHTO M306

REFERENCE INFORMATION	
TOOLING NUMBERS	
TOOLS	PATTERN LOCATION
COPE: -NEW	COPE: -NEW
DRAG: -NEW	DRAG: -NEW
▷ DESIGNATES MACHINED SURFACE	

TOLERANCE
 ALL TOLERNCES ARE $\pm \frac{1}{32}$ PER FOOT, OR 1.6 MM PER 300MM MEASUREMENTS LESS THAN ONE FOOT (300MM) ARE $\pm \frac{1}{32}$, OR 1.6MM UNLESS OTHERWISE SPECIFIED



SECTION A-A



NOTES: 5X1 GRATE BARS



D&L Foundry, Inc.
"The Iron Men"
 MADE IN THE USA
 THE INFORMATION CONTAINED IN THIS DRAWING IS THE SOLE PROPERTY OF D&L FOUNDRY, ANY REPRODUCTION IN PART OR AS WHOLE WITHOUT THE WRITTEN PERMISSION OF D&L FOUNDRY IS PROHIBITED

PART NUMBER
TF-103G
MODIFIED

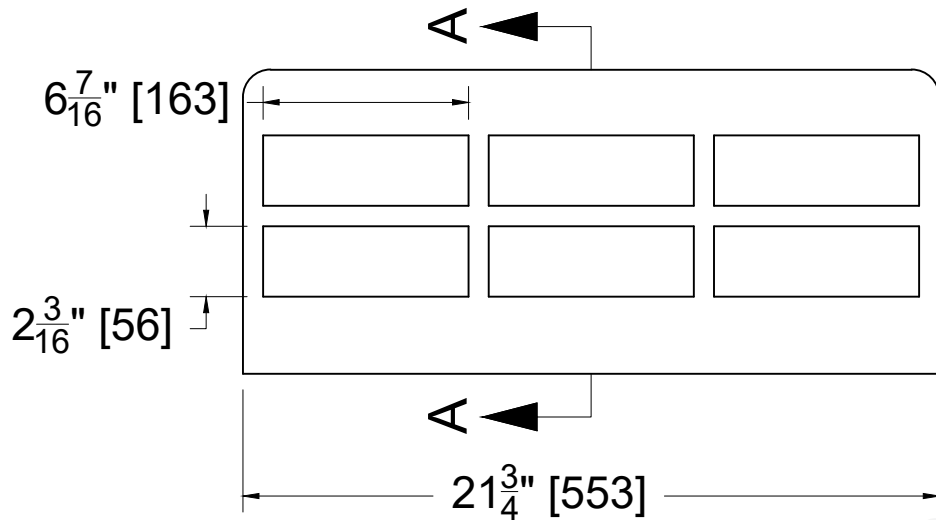
DATE	DESCRIPTION	DRAWN	APPROVED
7/18/24	NEW GRATE DESIGN FOR TF-103 SERIES	D.C.	

GRAY IRON CONFORMS TO
 ASTM A48 CL.35B
 AASHTO M306

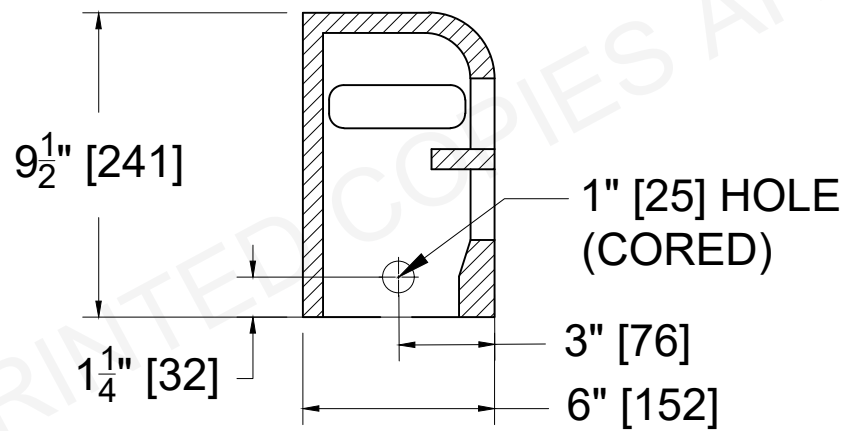
 AASHTO M306

REFERENCE INFORMATION	
TOOLING NUMBERS	
TOOLS	PATTERN LOCATION
COPE: -NEW	COPE: -NEW
DRAG: -NEW	DRAG: -NEW
▷ DESIGNATES MACHINED SURFACE	

TOLERANCE
ALL TOLERNCES ARE $\pm \frac{1}{32}$ PER FOOT, OR 1.6 MM PER 300MM MEASUREMENTS LESS THAN ONE FOOT (300MM) ARE $\pm \frac{1}{16}$, OR 1.6MM UNLESS OTHERWISE SPECIFIED



TF-103 ASTM A48 CL35B D&L FOUNDRY Ⓢ
 MM/DD/YYYY AASHTO M306



SECTION A-A



D&L Foundry, Inc.
"The Iron Men"
 MADE IN THE USA

THE INFORMATION CONTAINED IN THIS DRAWING IS THE SOLE PROPERTY OF D&L FOUNDRY. ANY REPRODUCTION IN PART OR AS A WHOLE WITHOUT THE WRITTEN PERMISSION OF D&L FOUNDRY IS PROHIBITED

PART NUMBER

TF-103SI

DATE	DESCRIPTION	DRAWN	APPROVED
9/15/20	DRAWING OF EXISTING PART	DF	D.C.
11/2/21	ECR 2276 - CHANGE SLOT IN SIDE TO A HOLE TO MATCH THE PATTERN	DF	D.C.
11/5/21	ECR 2281 - ADD CENTER MARK AND DIMENSIONS OF SIDE HOLE LOCATION	DF	D.C.

GRAY IRON
 CONFORMS TO
 ASTM A48 CL35B

AASHTO M306

REFERENCE INFORMATION	
TOOLING NUMBERS	
TOOLS	PATTERN LOCATION
COPE: -6237	COPE: -6237
DRAG: -6238	DRAG: -6238
DESIGNATES MACHINED SURFACE	

TOLERANCES
ALL TOLERANCES ARE +/- 1/32" PER FOOT, OR 1.6 MM PER 300 MM MEASUREMENTS LESS THAN ONE FOOT ARE +/- 1/16", OR 1.6 MM UNLESS OTHERWISE SPECIFIED