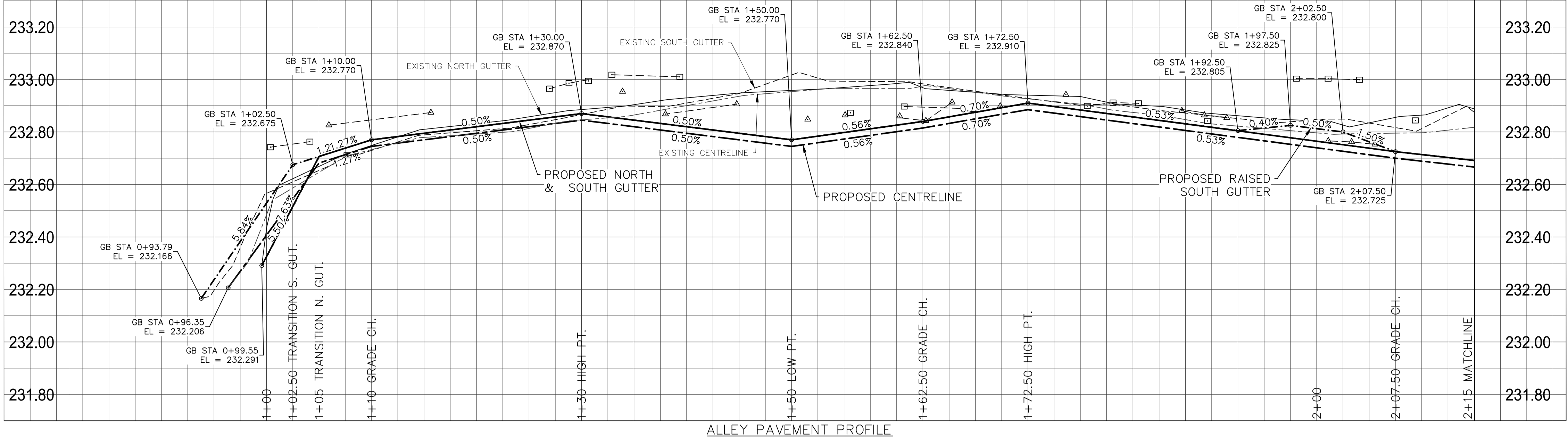
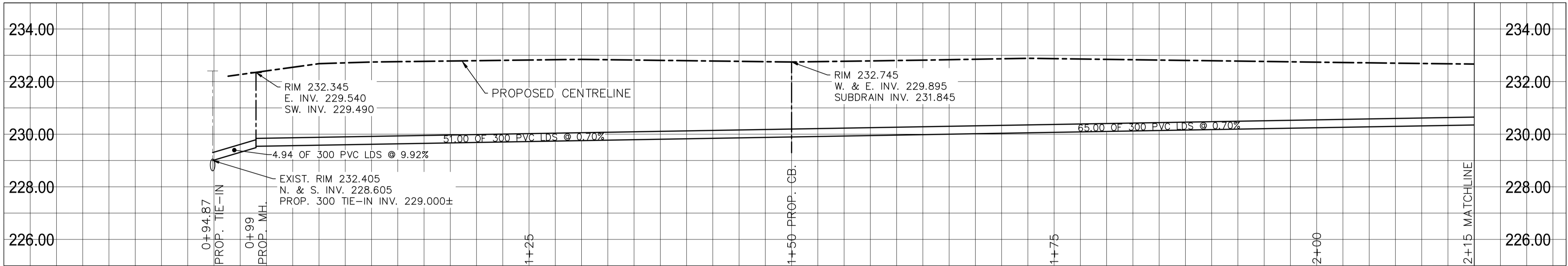


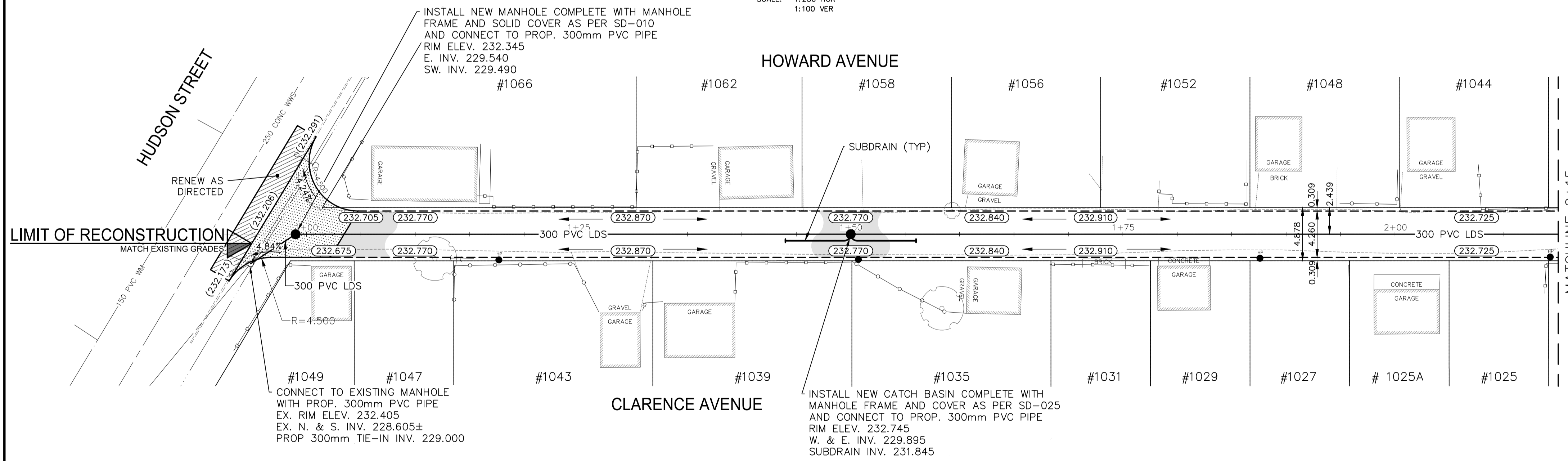
Apr 07, 2025 - 2:30pm
 P:\2024\CA0043424_6934 - CA-25-R-04 Local Streets\02 Drawings\03 Work_Dwg\CA0043424_6934_CA_25-R-04_Howard_Avenue_Alley_Plan&Profile.dwg - (tab:227-2025_CA0043424_6934_s1-r0)



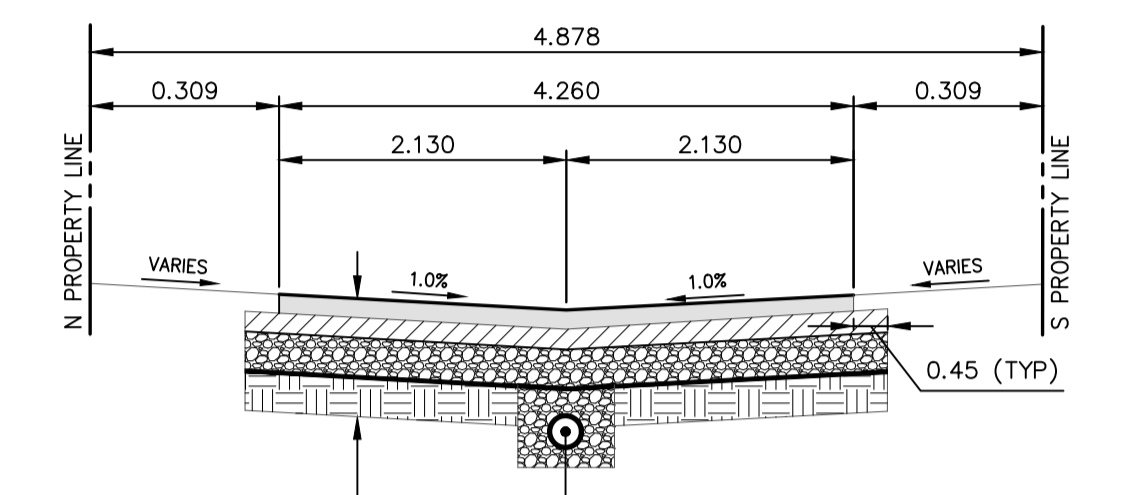
ALLEY PAVEMENT PROFILE
 SCALE: 1:250 HOR
 1:10 VER



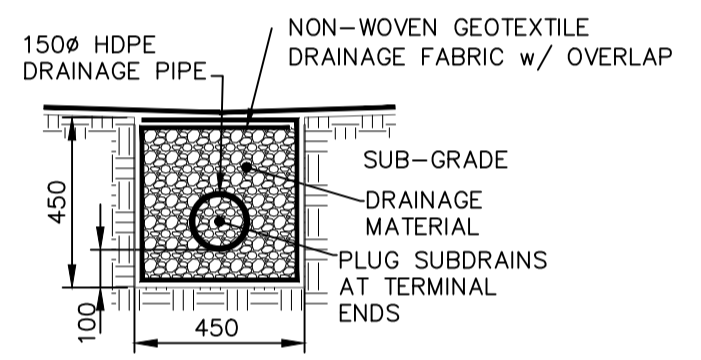
LAND DRAINAGE SEWER PROFILE
 SCALE: 1:250 HOR
 1:100 VER



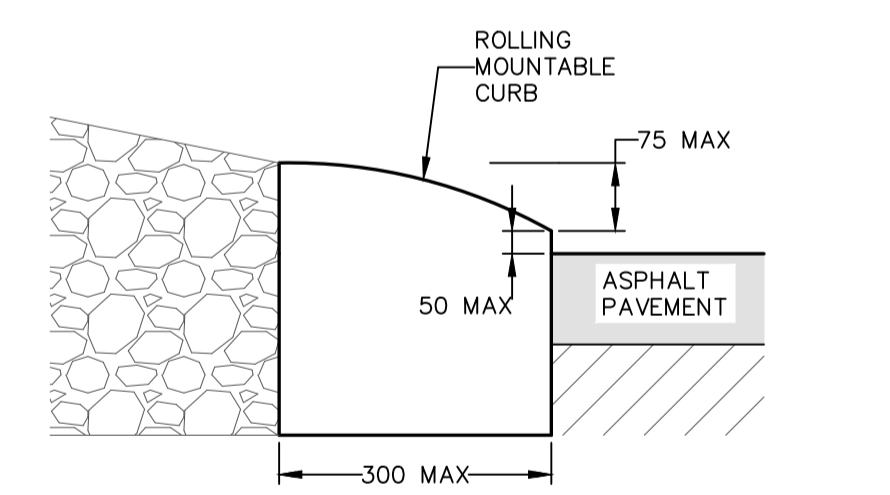
- NOTES:**
1. ALL WORK AND MATERIALS TO BE IN ACCORDANCE WITH THE LATEST REVISION OF THE CITY OF WINNIPEG STANDARD CONSTRUCTION SPECIFICATIONS.
 2. CONTRACTOR TO CONFIRM THE LOCATION OF ALL UTILITIES/SERVICES IN THE FIELD PRIOR TO CONSTRUCTION.
 3. ALL ROADWAY DIMENSIONS SHOWN ARE TO EDGE OF PAVEMENT.
 4. EXISTING ASPHALT TO BE PLANED AS SHOWN OR AS DIRECTED BY CONTRACT ADMINISTRATOR.
 5. 150mm PARTIAL CONCRETE SLAB PATCHES SHOWN ARE ONLY A REPRESENTATIVE APPROXIMATION OF THE TENDERED QUANTITIES.
 6. EXISTING SIDEWALK TO BE RENEWED AS PER SD-228A AND AS DIRECTED BY CONTRACT ADMINISTRATOR.
 7. RENEW EXISTING CURBS AS DIRECTED BY CONTRACT ADMINISTRATOR.
 8. ALL PRIVATE WALKWAYS TO BE ADJUSTED TO NEW SIDEWALK OR TOP OF CURB ELEVATION, AS DIRECTED BY THE CONTRACT ADMINISTRATOR.
 9. PAVEMENT REPAIR FABRIC TO BE INSTALLED AS SHOWN OR AS DIRECTED BY CONTRACT ADMINISTRATOR.
 10. MODIFIED BARRIER CURB TO BE CONSTRUCTED AT ALL RADI AS DIRECTED BY CONTRACT ADMINISTRATOR.
 11. CONTRACTORS TO TAKE PRECAUTIONARY STEPS TO PROTECT EXISTING TREES WITHIN THE LIMITS OF CONSTRUCTION FROM DAMAGE FROM CONSTRUCTION ACTIVITIES AS OUTLINED IN THE SPECIFICATIONS.
 12. LAMP STANDARDS, HYDRO POLES, AND ANCHORS THAT REQUIRE TEMPORARY SUPPORT, REMOVAL OR REPLACEMENT, TO BE DONE SO AT THE EXPENSE OF THE CONTRACTOR AS NECESSARY.
 13. ALL BOULEVARDERS TO BE SODDED UNLESS OTHERWISE NOTED.
 14. ADJUST ALL WATER VALVES, HYDRANTS, MANHOLES, AND CATCH BASINS IN WORK AREA TO GRADE.



- TYPICAL CROSS-SECTION**
 NTS
- 150mm PVC SUBDRAIN WHERE SPECIFIED (SEE SUBDRAIN DETAIL)
 - 50mm MS1 ASPHALT PAVEMENT
 - 70mm MS2 ASPHALT PAVEMENT
 - 100mm BASE COURSE (GRANULAR 'A')
 - 300mm - 100mm SUBBASE (GRANULAR 'B')
 - SUBGRADE CLASS 'A' GEOGRID
 - SEPARATION GEOTEXTILE ON PREPARED SUBGRADE



- TYPICAL ALLEY SUBDRAIN DETAIL**
 NTS
- REFERENCE SPECIFICATIONS**
1. SUB-GRADE, SUB-BASE AND BASE MATERIAL SHALL BE SUPPLIED AND PLACED IN ACCORDANCE WITH CW-3110
 2. INSTALLATION OF SUBDRAINS SHALL BE IN ACCORDANCE WITH CW-3120
 3. DRAINAGE GEOTEXTILE FABRIC AND DRAINAGE PIPE SHALL CONFORM TO "APPROVED PRODUCTS FOR SURFACE WORKS"



TYPICAL MOUNTABLE LIP CURB DETAIL
 NTS

METRIC
 WHOLE NUMBERS INDICATE MILLIMETRES
 DECIMALIZED NUMBERS INDICATE METRES

ENGINEERS GEOSCIENTISTS MANITOBA
 Certificate of Authorization
 WSP Canada Inc.
 No. 5750

NOTE: CHAINAGES SHOWN ARE ALONG CL OF RIGHT-OF-WAY

FOR TENDER PURPOSES ONLY
 NOT FOR CONSTRUCTION

EXISTING	LEGEND-PLAN	PROPOSED	EXISTING	LEGEND-PLAN	PROPOSED	EXISTING	LEGEND-PLAN	PROPOSED
---	WATER MAIN	---	---	NORTH/WEST GARAGE APPROACH	---	---	---	---
---	LAND DRAINAGE SEWER	---	---	SOUTH/EAST GARAGE APPROACH	---	---	---	---
---	WASTE WATER SEWER	---	---	VALVE	---	---	---	---
---	HYDRO	---	---	CURB STOP	---	---	---	---
---	GAS	---	---	HYDRO POLE & LIGHT STANDARD	---	---	---	---
---	COMMUNICATIONS	---	---	LIGHT STANDARD OR TRAFFIC SIGNAL	---	---	---	---
---	SIGNALS	---	---	HYDRO POLE / ANCHOR	---	---	---	---
---	MANHOLE	---	---	FENCE	---	---	---	---
---	CATCH BASIN/CATCH PIT	---	---	PROPERTY LINE	---	---	---	---
---	CURB INLET	---	---	TEST HOLE / PAVEMENT CORE	---	---	---	---
---	UTILITIES ADJUSTED	---	---	ELEVATIONS	---	---	---	---
---	HYDRANT	---	---	CURB RAMP	---	---	---	---
---	LEGEND-PLAN	---	---	DETECTABLE WARNING SURFACE TILE	---	---	---	---

LOCATIONS APPROVED UNDERGROUND STRUCTURES

SIGNED BY: _____ DATE: _____

LOCATION OF UNDERGROUND STRUCTURES AS SHOWN ARE BASED ON THE BEST INFORMATION AVAILABLE BUT NO GUARANTEE IS GIVEN THAT ALL EXISTING UTILITIES ARE SHOWN OR THAT THE GIVEN LOCATIONS ARE EXACT CONFIRMATION OF EXISTENCE AND EXACT LOCATION OF ALL SERVICES MUST BE OBTAINED FROM THE INDIVIDUAL UTILITIES BEFORE PROCEEDING

NO.	REVISIONS	DATE	BY

wsp

G.S.M. TOH IN FRONT OF HOUSE 341 HUDSON ST.
 ELEV. 232.296

DESIGNED BY: A.B./E.M. CHECKED BY: S.M.
 DRAWN BY: A.B./E.M. APPROVED BY: S.M.

HOR. SCALE: 1:250
 VERTICAL: 1:10

RELEASED FOR CONSTRUCTION

DATE: JANUARY 2025

THE CITY OF WINNIPEG
 PUBLIC WORKS DEPARTMENT
 ENGINEERING SERVICES DIVISION

2025 LOCAL STREET ALLEY RENEWALS
 HOWARD AVE./CLARENCE AVE. EAST-WEST ALLEY

ALLEY RECONSTRUCTION
 STA. 0+94.87 TO STA. 2+15

CITY DRAWING NUMBER: _____
 SHEET: 4 OF 15
 TENDER NO.: 227-2025

CONSULTANT ACAD DWG. NO.: CA0043424.6934-51