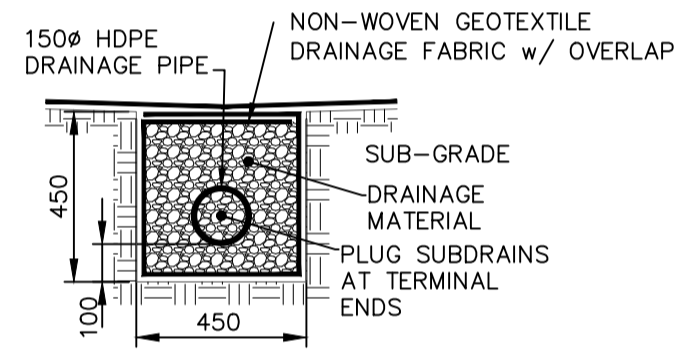
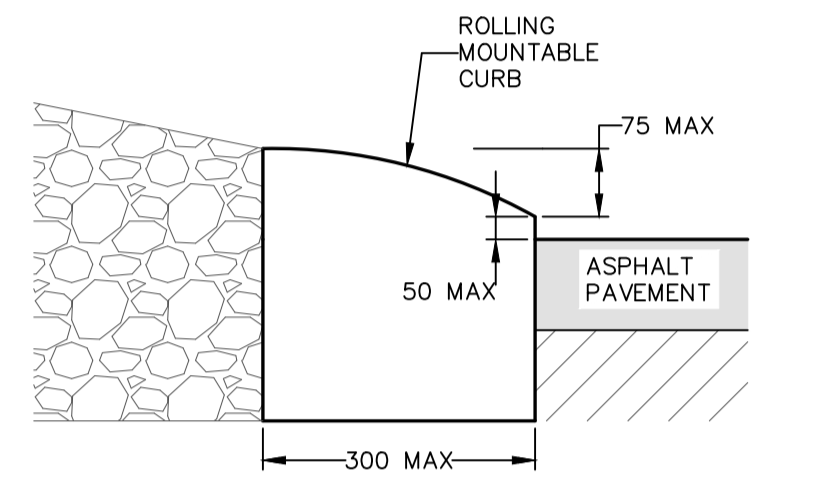
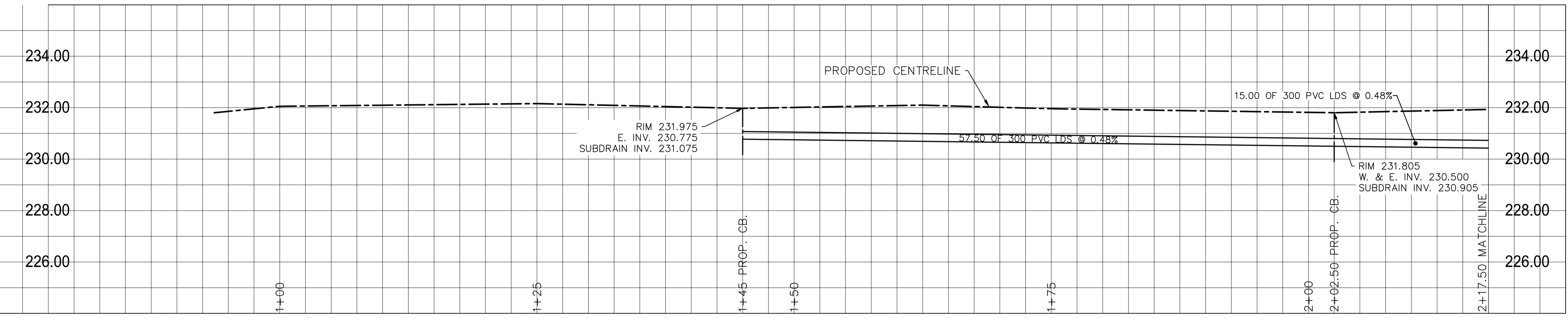
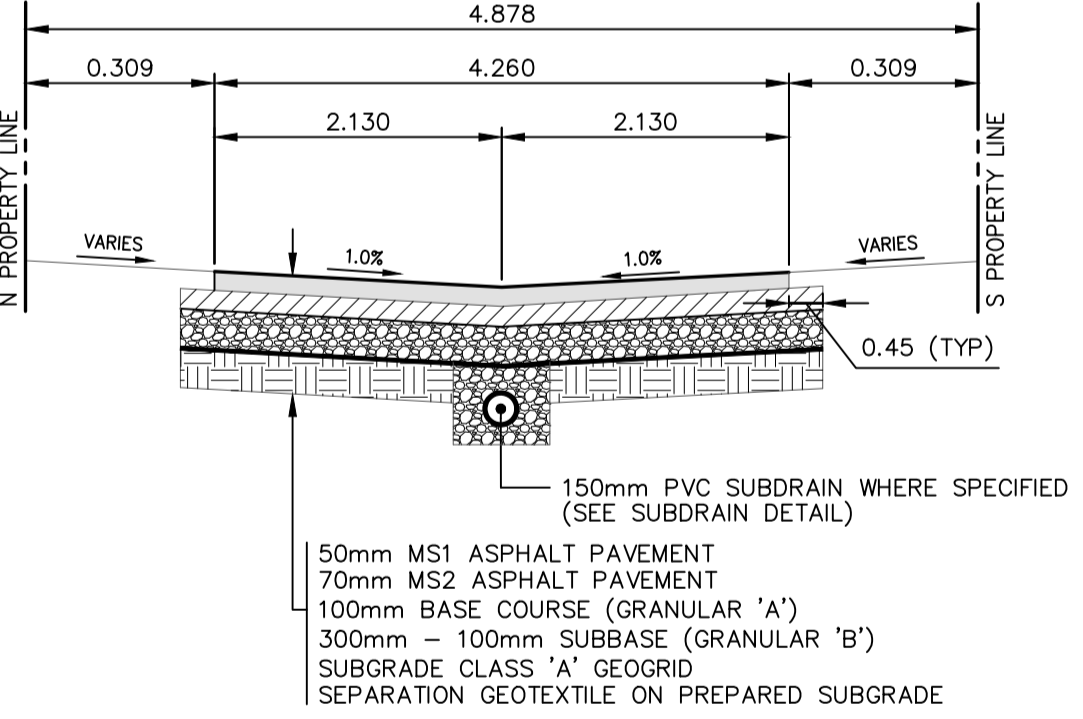


- NOTES:**
1. ALL WORK AND MATERIALS TO BE IN ACCORDANCE WITH THE LATEST REVISION OF THE CITY OF WINNIPEG STANDARD CONSTRUCTION SPECIFICATIONS.
 2. CONTRACTOR TO CONFIRM THE LOCATION OF ALL UTILITIES/SERVICES IN THE FIELD PRIOR TO CONSTRUCTION.
 3. ALL ROADWAY DIMENSIONS SHOWN ARE TO EDGE OF PAVEMENT.
 4. EXISTING ASPHALT TO BE FLAED AS SHOWN OR AS DIRECTED BY CONTRACT ADMINISTRATOR.
 5. 150mm PARTIAL CONCRETE SLAB PATCHES SHOWN ARE ONLY A REPRESENTATIVE APPROXIMATION OF THE TENDERED QUANTITIES.
 6. EXISTING SIDEWALK TO BE RENEWED AS PER SD-228A AND AS DIRECTED BY CONTRACT ADMINISTRATOR.
 7. RENEW EXISTING CURB AS DIRECTED BY CONTRACT ADMINISTRATOR.
 8. ALL PRIVATE WALKWAYS TO BE ADJUSTED TO NEW SIDEWALK OR TOP OF CURB ELEVATION, AS DIRECTED BY THE CONTRACT ADMINISTRATOR.
 9. PAVEMENT REPAIR FABRIC TO BE INSTALLED AS SHOWN OR AS DIRECTED BY CONTRACT ADMINISTRATOR.
 10. MODIFIED BARRIER CURB TO BE CONSTRUCTED AT ALL RADIIAS DIRECTED BY CONTRACT ADMINISTRATOR.
 11. CONTRACTORS TO TAKE PRECAUTIONARY STEPS TO PROTECT EXISTING TREES WITHIN THE LIMITS OF CONSTRUCTION FROM DAMAGE FROM CONSTRUCTION ACTIVITIES AS OUTLINED IN THE SPECIFICATIONS.
 12. LAMP STANDARDS, HYDRO POLES, AND ANCHORS THAT REQUIRE TEMPORARY SUPPORT, REMOVAL OR REPLACEMENT, TO BE DONE SO AT THE EXPENSE OF THE CONTRACTOR AS NECESSARY.
 13. ALL BOULEVARDS TO BE SODDED UNLESS OTHERWISE NOTED.
 14. ADJUST ALL WATER VALVES, HYDRANTS, MANHOLES, AND CATCH BASINS IN WORK AREA TO GRADE.



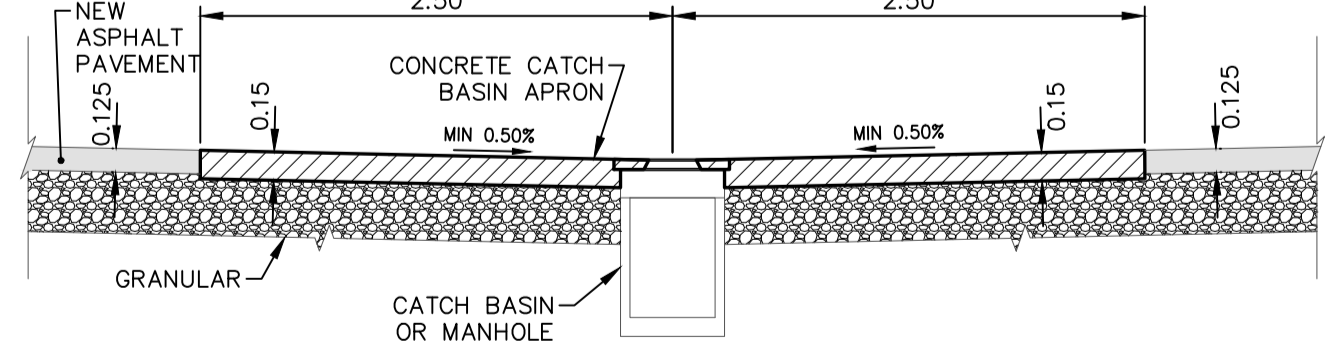
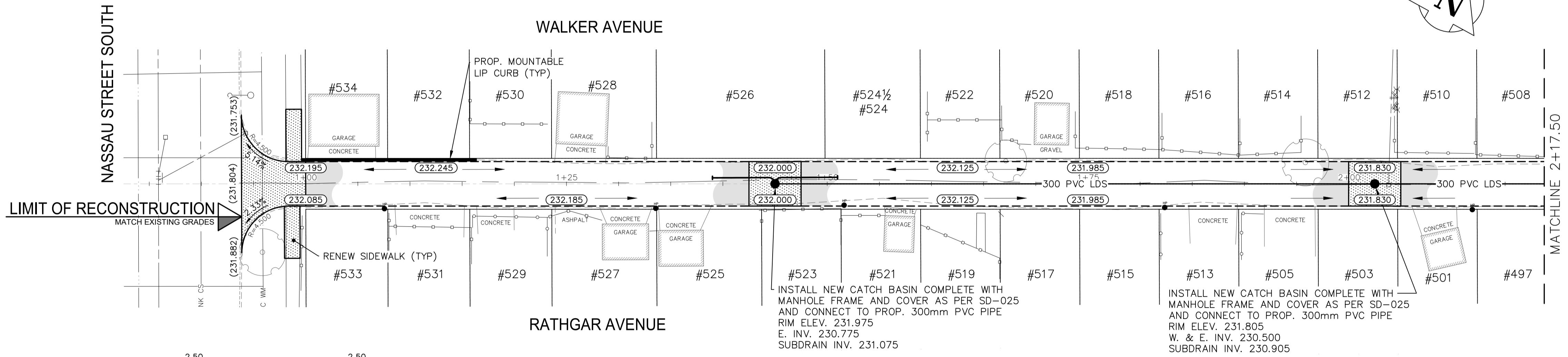
- REFERENCE SPECIFICATIONS**
1. SUB-GRADE, SUB-BASE AND BASE MATERIAL SHALL BE SUPPLIED AND PLACED IN ACCORDANCE WITH CW-3110
 2. INSTALLATION OF SUBDRAINS SHALL BE IN ACCORDANCE WITH CW-3120
 3. DRAINAGE GEOTEXTILE FABRIC AND DRAINAGE PIPE SHALL CONFORM TO "APPROVED PRODUCTS FOR SURFACE WORKS"

TYPICAL CROSS-SECTION
NTS



METRIC
WHOLE NUMBERS INDICATE MILLIMETRES
DECIMALIZED NUMBERS INDICATE METRES

ENGINEERS GEOSCIENTISTS MANITOBA
Certificate of Authorization
WSP Canada Inc.
No. 5750



NOTE: CHAINAGES SHOWN ARE ALONG ϕ OF RIGHT-OF-WAY

FOR TENDER PURPOSES ONLY
NOT FOR CONSTRUCTION

EXISTING	LEGEND-PLAN	PROPOSED	EXISTING	LEGEND-PLAN	PROPOSED
---	WATER MAIN	---	---	NORTH/WEST GARAGE APPROACH	---
---	LAND DRAINAGE SEWER	---	---	SOUTH/EAST GARAGE APPROACH	---
---	WASTE WATER SEWER	---	---	VALVE	---
---	HYDRO	---	---	CURB STOP	---
---	GAS	---	---	HYDRO POLE & LIGHT STANDARD	---
---	COMMUNICATIONS	---	---	LIGHT STANDARD OR TRAFFIC SIGNAL	---
---	SIGNALS	---	---	HYDRO POLE / ANCHOR	---
---	MANHOLE	---	---	FENCE	---
---	CATCH BASIN/CATCH PIT	---	---	PROPERTY LINE	---
---	CURB INLET	---	---	TEST HOLE / PAVEMENT CORE	---
---	UTILITIES ADJUSTED	---	---	ELEVATIONS	---
---	HYDRANT	---	---	CURB RAMP	---
---	EXISTING	---	---	DETECTABLE WARNING SURFACE TILE	---
---	LEGEND-PLAN	---	---	LEGEND-PLAN	---
---	PROPOSED	---	---	PROPOSED	---
---	EXISTING	---	---	EXISTING	---
---	LEGEND-PLAN	---	---	LEGEND-PLAN	---
---	PROPOSED	---	---	PROPOSED	---

LOCATIONS APPROVED UNDERGROUND STRUCTURES

SIGNED BY: _____ DATE: _____

LOCATION OF UNDERGROUND STRUCTURES AS SHOWN ARE BASED ON THE BEST INFORMATION AVAILABLE BUT NO GUARANTEE IS GIVEN THAT ALL EXISTING UTILITIES ARE SHOWN OR THAT THE GIVEN LOCATIONS ARE EXACT CONFIRMATION OF EXISTENCE AND EXACT LOCATION OF ALL SERVICES MUST BE OBTAINED FROM THE INDIVIDUAL UTILITIES BEFORE PROCEEDING

NO.	REVISIONS	DATE	BY

wsp

DESIGNED BY: A.B./E.M. CHECKED BY: S.M.
DRAWN BY: A.B./E.M. APPROVED BY: S.M.

HOR. SCALE: 1:250
VERTICAL: 1:10

DATE: JANUARY 2025

WSP Canada Inc.
1600 Buffalo Place
Winnipeg, MB R3T 6B8
t. 204.477.6650
f. 204.474.2864
www.wsp.com

THE CITY OF WINNIPEG
PUBLIC WORKS DEPARTMENT
ENGINEERING SERVICES DIVISION

2025 LOCAL STREET ALLEY RENEWALS
WALKER AVE./RATHGAR AVE. EAST-WEST ALLEY

ALLEY RECONSTRUCTION
STA. 0+93.81 TO STA. 2+17.50

CITY DRAWING NUMBER: _____
SHEET 10 OF 12
TENDER NO. 227-2025

Mar 21, 2025 - 10:42am
P:\2024\CA0043424\6934 - CA-25-R-04 Local Streets\02 Drawings\03_Work_Dwg\CA0043424\6934_CA_25-R-04_Walker_Rathgar_Alley_Plan&Profile.dwg - lab:227-2025_CA0043424_6934_57-RC