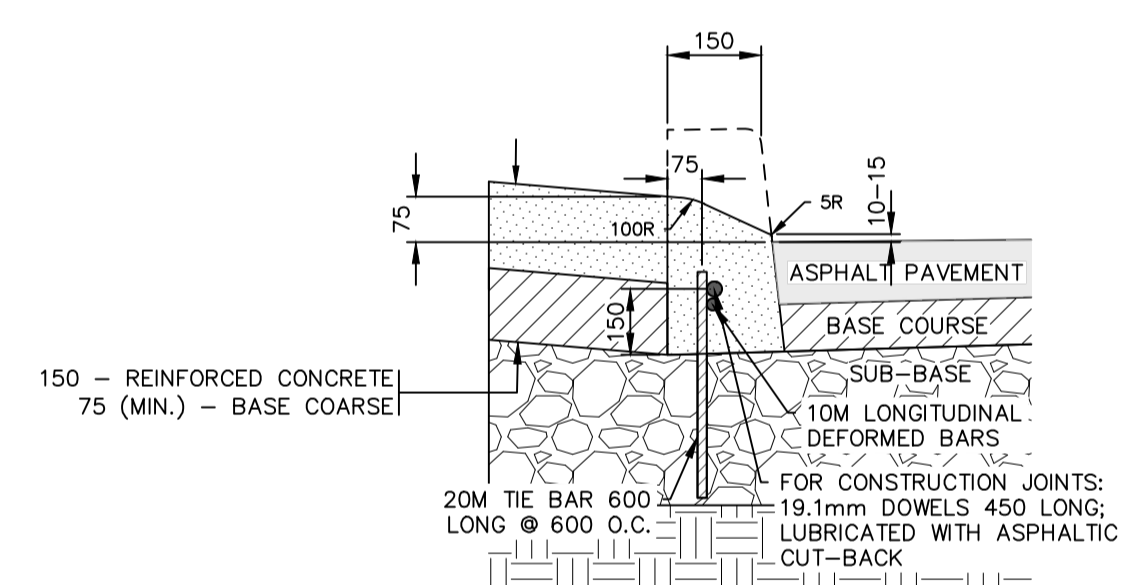
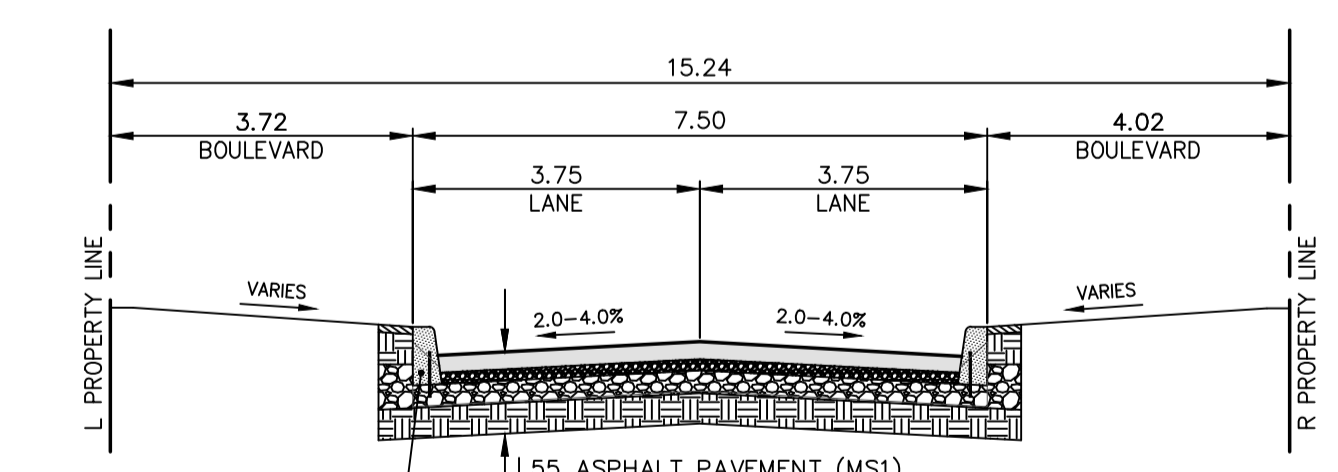


DETAIL 'A' - DOWELLED BARRIER CURB (SD-200A)  
NTS



DETAIL 'B' - LIP CURB WITH APPROACH (SD-202B)  
NTS



TYPICAL CROSS SECTION  
NTS

- NOTES:
- ALL WORK AND MATERIALS TO BE IN ACCORDANCE WITH THE LATEST REVISION OF THE CITY OF WINNIPEG STANDARD CONSTRUCTION SPECIFICATIONS.
  - CONTRACTOR TO CONFIRM THE LOCATION OF ALL UTILITIES/SERVICES IN THE FIELD PRIOR TO CONSTRUCTION.
  - ALL ROADWAY DIMENSIONS SHOWN ARE TO BACK OF CURB.
  - CURB TO BE CONSTRUCTED AS PER SD-200A AND AS DIRECTED BY CONTRACT ADMINISTRATOR.
  - ALL PRIVATE WALKWAYS TO BE ADJUSTED TO NEW SIDEWALK OR TOP OF CURB ELEVATION, AS DIRECTED BY THE CONTRACT ADMINISTRATOR.
  - LIP CURB AT PRIVATE APPROACHES TO BE CONSTRUCTED AS PER SD-202B AND AS DIRECTED BY CONTRACT ADMINISTRATOR.
  - MODIFIED BARRIER CURB TO BE CONSTRUCTED AT ALL INTERSECTION RADI AND ALLEY RADI.
  - CONSTRUCT REINFORCED CONCRETE RESIDENTIAL APPROACH AS PER SD-237B AND AS DIRECTED BY CONTRACT ADMINISTRATOR.
  - CONTRACTORS TO TAKE PRECAUTIONARY STEPS TO PROTECT EXISTING TREES WITHIN THE LIMITS OF CONSTRUCTION FROM DAMAGE FROM CONSTRUCTION ACTIVITIES AS OUTLINED IN THE SPECIFICATIONS.
  - LAMP STANDARDS, HYDRO POLES, AND ANCHORS THAT REQUIRE TEMPORARY SUPPORT, REMOVAL OR REPLACEMENT, TO BE DONE SO AT THE EXPENSE OF THE CONTRACTOR AS NECESSARY.
  - ALL BOULEVARDS TO BE SODDED UNLESS OTHERWISE NOTED.
  - ADJUST ALL WATER VALVES, HYDRANTS, MANHOLES, AND CATCH BASINS IN WORK AREA TO GRADE.

EXISTING	LEGEND-PLAN	PROPOSED	EXISTING	LEGEND-PLAN	PROPOSED	EXISTING	LEGEND-PLAN	PROPOSED
---	WATER MAIN	---	---	VALVE	---	---	EDGE OF SIDEWALK	---
---	LAND DRAINAGE SEWER	---	---	CURB STOP	---	---	EDGE OF ASPHALT	---
---	WASTE WATER SEWER	---	---	HYDRO POLE & LIGHT STANDARD	---	---	EDGE OF CONCRETE	---
---	HYDRO	---	---	LIGHT STANDARD OR TRAFFIC SIGNAL	---	---	MODIFIED BARRIER CURB	---
---	GAS	---	---	HYDRO POLE / ANCHOR	---	---	BARRIER CURB	---
---	COMMUNICATIONS	---	---	FENCE	---	---	BARRIER CURB AND GUTTER	---
---	SIGNALS	---	---	PROPERTY LINE	---	---	PAVING STONE	---
○	MANHOLE	●	---	IRON BAR	---	---	CONCRETE SIDEWALK	---
□	CATCH BASIN/CATCH PIT	■	---	TEST HOLE / PAVEMENT CORE	---	---	CONCRETE SLAB	---
△	CURB INLET	▼	---	ELEVATIONS	---	---	ASPHALT	---
◇	UTILITIES ADJUSTED	△	---	CURB RAMP	---	---	MILLED SURFACE	---
◇	HYDRANT	◆	---	DETECTABLE WARNING SURFACE TILE	---	---	PAVEMENT REPAIR FABRIC	---
---	EXISTING	---	---	---	---	---	---	---

LOCATIONS APPROVED UNDERGROUND STRUCTURES

SIGNED BY: \_\_\_\_\_ DATE: \_\_\_\_\_

NO. ISSUED FOR TENDER: 1  
DATE: 20250321  
R.H.

G.M. TOH @ SW CORNER OF CHANCELLOR AND MARROW INTERSECTION  
ELEV. 233.163

**wsp**

DESIGNED BY: R.H./G.Z.  
DRAWN BY: R.H./G.Z.

WSP Canada Inc.  
1600 Buffalo Place  
Winnipeg, MB R3T 6B8  
t. 204.477.6650  
f. 204.474.2864  
www.wsp.com

CHECKED BY: R.H.  
APPROVED BY: S.M.

HOR. SCALE: 1:250  
VERTICAL: 1:10

RELEASED FOR CONSTRUCTION: \_\_\_\_\_  
DATE: JANUARY 2025

ENGINEERS SEAL

**THE CITY OF WINNIPEG**  
PUBLIC WORKS DEPARTMENT  
ENGINEERING SERVICES DIVISION

2025 LOCAL STREET RENEWALS  
ALUMNI PLACE

ASPHALT RECONSTRUCTION  
STA. 0+94.55 TO STA. 2+10.02

CITY DRAWING NUMBER: \_\_\_\_\_  
SHEET 01 OF 47  
TENDER NO. 230-2025

CONSULTANT ACAD DWG. NO. CA0043424.6934-01

**METRIC**  
WHOLE NUMBERS INDICATE MILLIMETRES  
DECIMALIZED NUMBERS INDICATE METRES

**ENGINEERS GEOSCIENTISTS MANITOBA**  
Certificate of Authorization  
WSP Canada Inc.  
No. 5750

FOR TENDER PURPOSES ONLY  
NOT FOR CONSTRUCTION

Mar 27, 2025 - 5:57pm - F:\2024\CA0043424.6934 - CA-25-R-04 Local Streets\02 Drawings\03\_Work\_Dwg\CA0043424.6934\_CA\_25-R-04\_Alumni\_Plan&Profile.dwg - tab:230-2025\_Drawing\_CA0043424.6934-01-R0