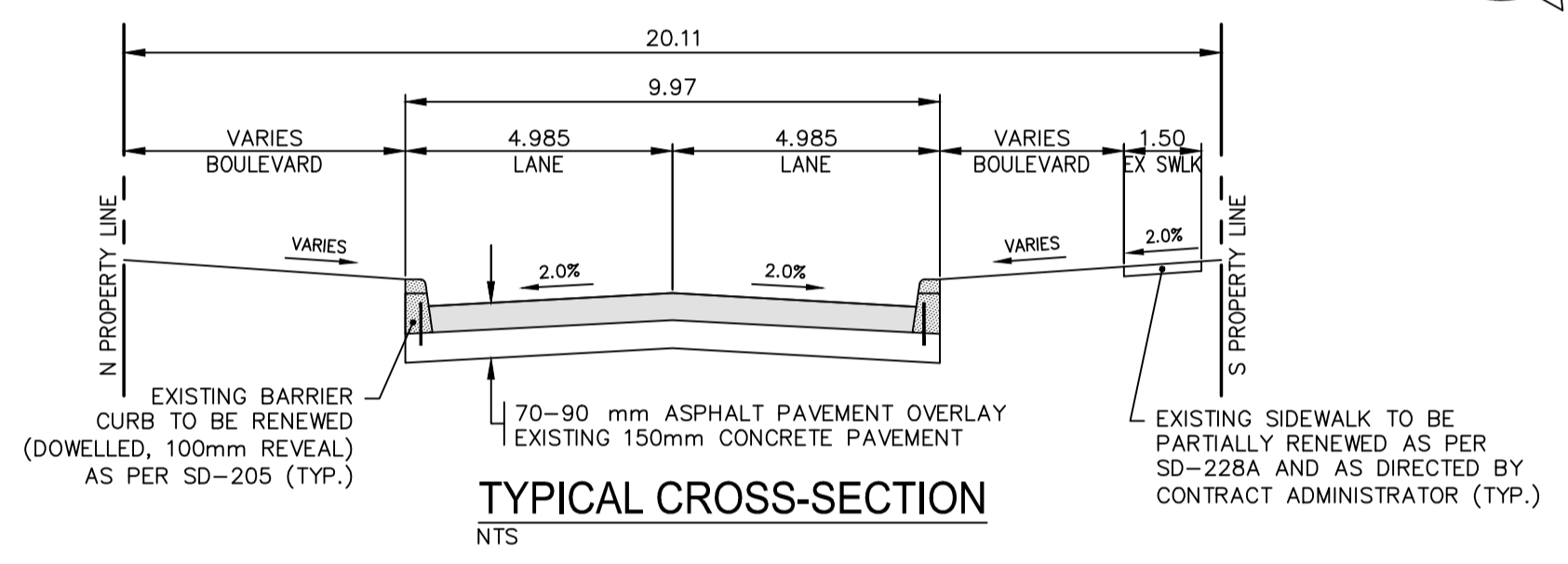
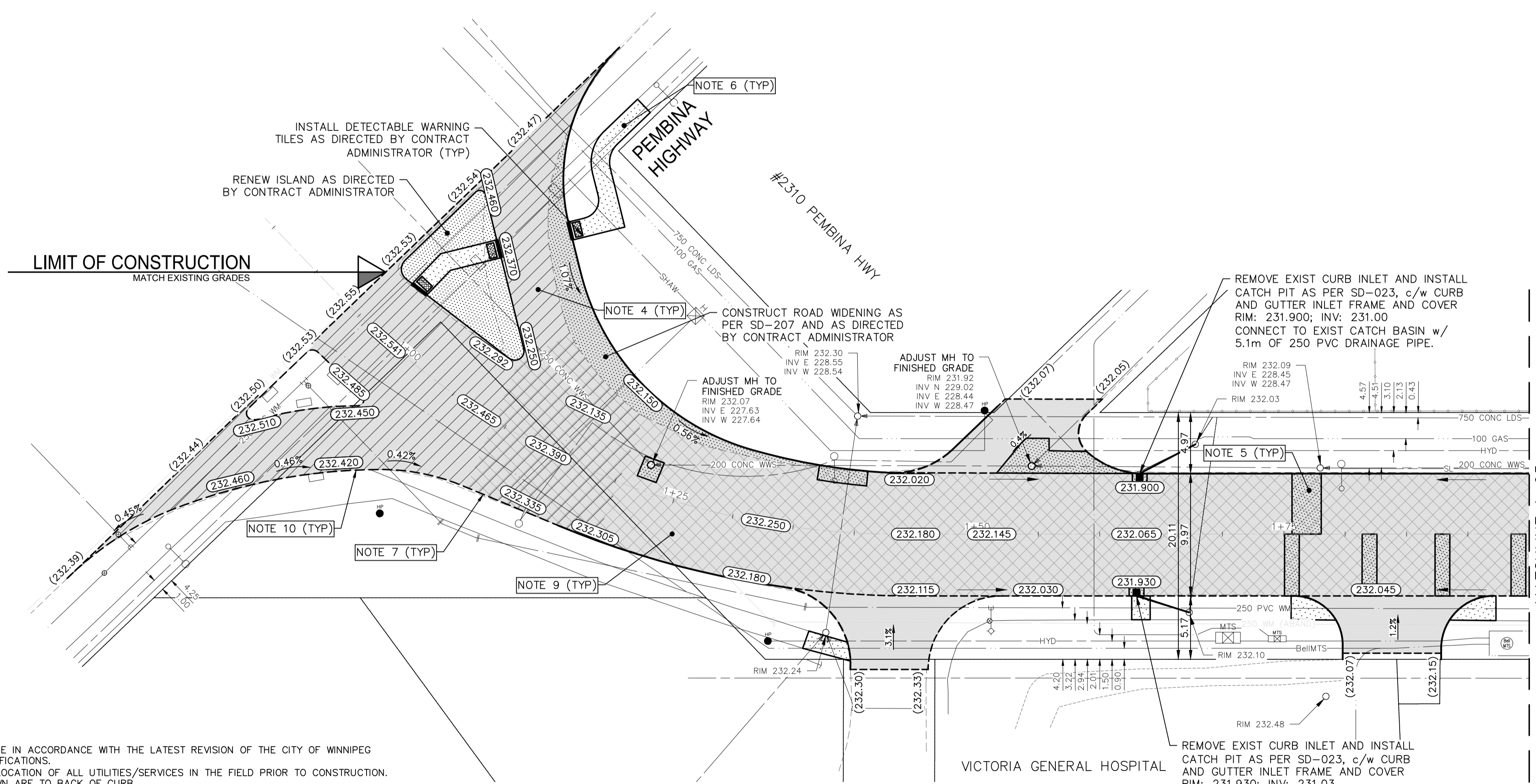


DARTMOUTH DRIVE



- NOTES:
1. ALL WORK AND MATERIALS TO BE IN ACCORDANCE WITH THE LATEST REVISION OF THE CITY OF WINNIPEG STANDARD CONSTRUCTION SPECIFICATIONS.
  2. CONTRACTOR TO CONFIRM THE LOCATION OF ALL UTILITIES/SERVICES IN THE FIELD PRIOR TO CONSTRUCTION.
  3. ALL ROADWAY DIMENSIONS SHOWN ARE TO BACK OF CURB.
  4. EXISTING ASPHALT TO BE PLANED AS SHOWN OR AS DIRECTED BY CONTRACT ADMINISTRATOR.
  5. 150mm PARTIAL CONCRETE SLAB PATCHES SHOWN ARE ONLY A REPRESENTATIVE APPROXIMATION OF THE TENDERED QUANTITIES.
  6. EXISTING SIDEWALK TO BE RENEWED AS PER SD-228A AND AS DIRECTED BY CONTRACT ADMINISTRATOR.
  7. RENEW BARRIER CURB AS PER SD-206A AND AS DIRECTED BY CONTRACT ADMINISTRATOR.
  8. ALL PRIVATE WALKWAYS TO BE ADJUSTED TO NEW SIDEWALK OR TOP OF CURB ELEVATION, AS DIRECTED BY THE CONTRACT ADMINISTRATOR.
  9. PAVEMENT REPAIR FABRIC TO BE INSTALLED AS SHOWN OR AS DIRECTED BY CONTRACT ADMINISTRATOR.
  10. MODIFIED BARRIER CURB TO BE CONSTRUCTED AT ALL INTERSECTION RADI AND ALLEY RADI.
  11. CONTRACTORS TO TAKE PRECAUTIONARY STEPS TO PROTECT EXISTING TREES WITHIN THE LIMITS OF CONSTRUCTION FROM DAMAGE FROM CONSTRUCTION ACTIVITIES AS OUTLINED IN THE SPECIFICATIONS.
  12. LAMP STANDARDS, HYDRO POLES, AND ANCHORS THAT REQUIRE TEMPORARY SUPPORT, REMOVAL OR REPLACEMENT, TO BE DONE SO AT THE EXPENSE OF THE CONTRACTOR AS NECESSARY.
  13. ALL BOULEVARDS TO BE SODDED UNLESS OTHERWISE NOTED.
  14. ADJUST ALL WATER VALVES, HYDRANTS, MANHOLES, AND CATCH BASINS IN WORK AREA TO GRADE.

EXISTING	LEGEND-PLAN	PROPOSED	EXISTING	LEGEND-PLAN	PROPOSED	EXISTING	LEGEND-PLAN	PROPOSED
---	WATER MAIN	---	---	VALVE	---	---	EDGE OF SIDEWALK	---
---	LAND DRAINAGE SEWER	---	---	CURB STOP	---	---	EDGE OF ASPHALT	---
---	WASTE WATER SEWER	---	---	HYDRO POLE & LIGHT STANDARD	---	---	EDGE OF CONCRETE	---
---	HYDRO	---	---	LIGHT STANDARD OR TRAFFIC SIGNAL	---	---	MODIFIED BARRIER CURB	---
---	GAS	---	---	HYDRO POLE / ANCHOR	---	---	BARRIER CURB	---
---	COMMUNICATIONS	---	---	FENCE	---	---	BARRIER CURB AND GUTTER	---
---	SIGNALS	---	---	PROPERTY LINE	---	---	PAVING STONE	---
○	MANHOLE	○	---	TEST HOLE / PAVEMENT CORE	---	---	CONCRETE SIDEWALK	---
□	CATCH BASIN/CATCH PIT	□	---	ELEVATIONS	---	---	CONCRETE SLAB	---
△	CURB INLET	△	---	CURB RAMP	---	---	ASPHALT	---
◇	UTILITIES ADJUSTED	◇	---	DETECTABLE WARNING SURFACE TILE	---	---	MILLED SURFACE	---
◇	HYDRANT	◇	---		---	---	PAVEMENT REPAIR FABRIC	---
---	EXISTING	---	---		---	---		---

LOCATIONS APPROVED UNDERGROUND STRUCTURES

SIGNED BY: \_\_\_\_\_ DATE: \_\_\_\_\_

NO. \_\_\_\_\_ DATE \_\_\_\_\_ BY \_\_\_\_\_

LOCATION OF UNDERGROUND STRUCTURES AS SHOWN ARE BASED ON THE BEST INFORMATION AVAILABLE BUT NO GUARANTEE IS GIVEN THAT ALL EXISTING UTILITIES ARE SHOWN OR THAT THE GIVEN LOCATIONS ARE EXACT CONFIRMATION OF EXISTENCE AND EXACT LOCATION OF ALL SERVICES MUST BE OBTAINED FROM THE INDIVIDUAL UTILITIES BEFORE PROCEEDING

G.M. TOH AT APPROACH TO VICTORIA GENERAL HOSPITAL PARKING LOT

ELEV. 233.025

DESIGNED BY: R.H./G.Z. CHECKED BY: R.H.

DRAWN BY: G.Z. APPROVED BY: S.M.

HOR. SCALE: 1:250

VERTICAL: 1:10

ISSUED FOR TENDER: 20250921 R.H.

NO. \_\_\_\_\_ DATE \_\_\_\_\_ BY \_\_\_\_\_

WSP Canada Inc. 1600 Buffalo Place Winnipeg, MB R3T 6B8 t. 204.477.6650 f. 204.474.2864 www.wsp.com

FOR CONTINUATION SEE DWG CA0043424.6934-10

FOR TENDER PURPOSES ONLY  
NOT FOR CONSTRUCTION

METRIC

WHOLE NUMBERS INDICATE MILLIMETRES  
DECIMALIZED NUMBERS INDICATE METRES

**ENGINEERS GEOSCIENTISTS MANITOBA**

Certificate of Authorization  
WSP Canada Inc.  
No. 5750

**THE CITY OF WINNIPEG**  
PUBLIC WORKS DEPARTMENT  
ENGINEERING SERVICES DIVISION

2025 LOCAL STREET RENEWALS  
DARTMOUTH DRIVE

MAJOR REHABILITATION  
STA. 0+93.95 TO STA. 1+95

CITY DRAWING NUMBER: \_\_\_\_\_  
SHEET 09 OF 47  
TENDER NO. 230-2025

Mar 27, 2025 - 8:00pm  
P:\2024\CA0043424.6934 - CA-25-R-04 Local Streets\02 Drawings\03\_Work\_Dwg\CA0043424.6934\_CA\_25-R-04\_Dartmouth\_Plan&Profile.dwg - tab: 230-2025\_Drawing