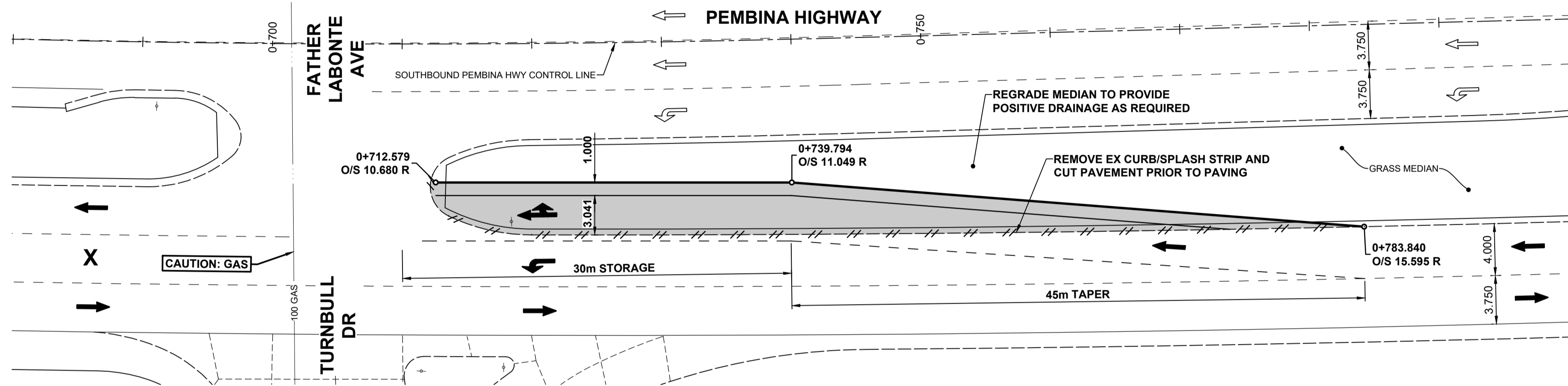
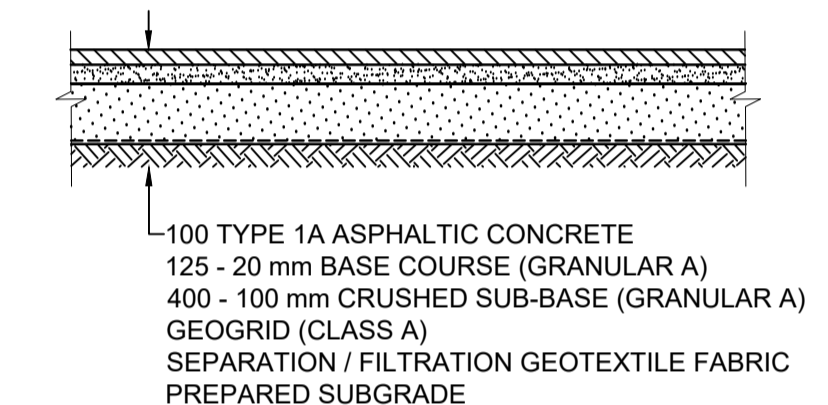


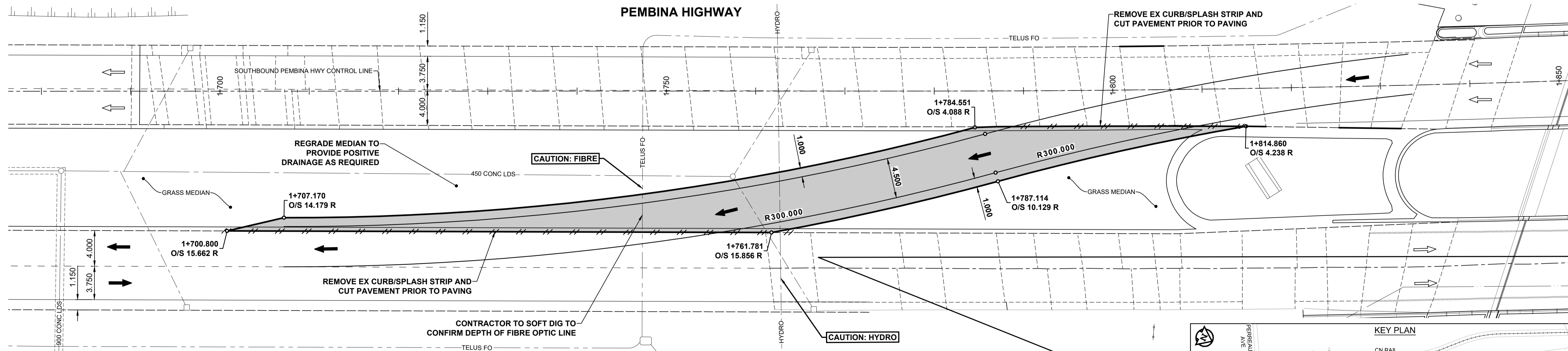
SOUTH MEDIAN CROSSOVER PLAN
SCALE: 1:250



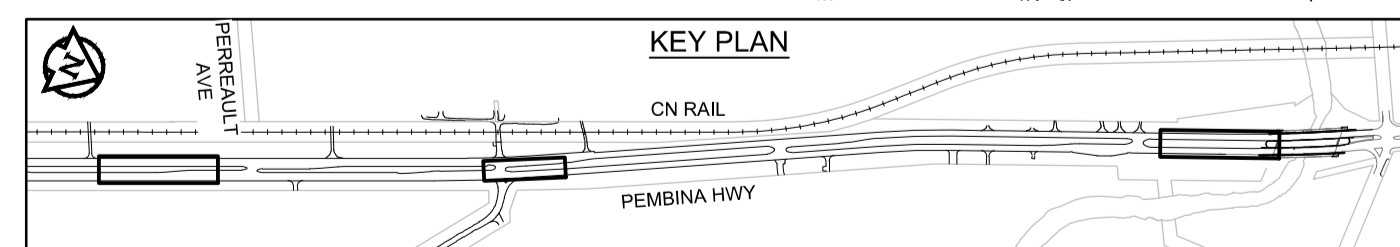
TEMPORARY WIDENING AT TURNBULL DRIVE PLAN
SCALE: 1:250



PAVEMENT STRUCTURE FOR TEMPORARY DETOURS
SCALE: 1:100 H, 1:50 V



NORTH MEDIAN CROSSOVER PLAN
SCALE: 1:250



METRIC
WHOLE NUMBERS INDICATE MILLIMETRES
DECIMALIZED NUMBERS INDICATE METRES

⊕	HYDRANT	+	---	LDS / WWS	---	CONCRETE	---	LOCATION APPROVED	BM 88-012	W. side Pembina Hwy., Tbt. in S. Conc. foundation of No. 3525-3527 Pembina Hwy., 1.0 m W. & 0.3 m below brick from S.E. Cor. of Bldg. (Post Office)	PROFESSIONAL'S SEAL
⊙	VALVE	⊙	---	WATER MAIN	---	CONC SIDEWALK / MEDIAN	---	UNDERGROUND STRUCTURES	ELEV 233.291 m		
⊙	CURB STOP	⊙	---	GAS	---	ASPHALT	---				
○	MANHOLE	●	---	TRAFFIC SIGNALS	---	PAVING STONE	---				
□	CATCH BASIN / CATCH PIT	■	---	HYDRO / STREET LIGHT	---	GRAVEL	---				
△	CURB INLET	▲	---	COMMUNICATIONS	---	PLANING / REMOVAL	---				
•	POLE	•	---	CURB RENEWAL	---	DITCH FLOW	---				
••	LIGHT STANDARD	••	---	PROPERTY LINE	---	TOP OF SLOPE	---				
•••	TRAFFIC SIGNAL POLE	•••	---	RAMP CURB	---	CULVERT	---				
⊕	SURVEY BAR	⊕	---	ELEVATIONS	33.000	SEWER FLOW DIRECTION	---				
⊙	GEODETIC BENCH MARK	⊙	---	TREE / TREELINE	---	TEST HOLE / CORE HOLE	---				
⊕	EXISTING	⊕	---	LEGEND - PLAN	---	LEGEND - PLAN	---				
⊕	PROPOSED	⊕	---	PROPOSED	---	PROPOSED	---				

LOCATION APPROVED UNDERGROUND STRUCTURES
DATE: _____
NOTE: LOCATION OF UNDERGROUND STRUCTURES AS SHOWN ARE BASED ON THE BEST INFORMATION AVAILABLE BUT NO GUARANTEE IS GIVEN THAT ALL EXISTING UTILITIES ARE SHOWN OR THAT THE GIVEN LOCATIONS ARE EXACT. CONFIRMATION OF EXISTENCE AND EXACT LOCATION OF ALL SERVICES MUST BE OBTAINED FROM THE INDIVIDUAL UTILITIES BEFORE PROCEEDING WITH CONSTRUCTION.

0	ISSUED FOR TENDER	25/03/18	MEE	
No.	REVISIONS	YY/MM/DD	BY	DATE
				March 14, 2025

Stantec
500 - 311 Portage Avenue, Winnipeg MB Canada R3B 2B9
Tel. 204.489.5900 Fax. 204.453.9012 www.stantec.com

DESIGNED BY: MEE
DRAWN BY: DML
CHECKED BY: JGK
APPROVED BY: RPB
RELEASED FOR CONSTRUCTION: _____
DATE: _____

CONSULTANT FILE NAME: 0866c-400.dwg

THE CITY OF WINNIPEG
PUBLIC WORKS DEPARTMENT
ENGINEERING DIVISION

2025 REGIONAL STREET RENEWALS
SOUTHBOUND PEMBINA HIGHWAY
RECONSTRUCTION AND RESURFACING
LA SALLE RIVER TO PERREAULT AVE

TEMPORARY WORKS
PEMBINA HIGHWAY

CITY DRAWING NUMBER	P-3589-24
SHEET	24 OF 24
24	