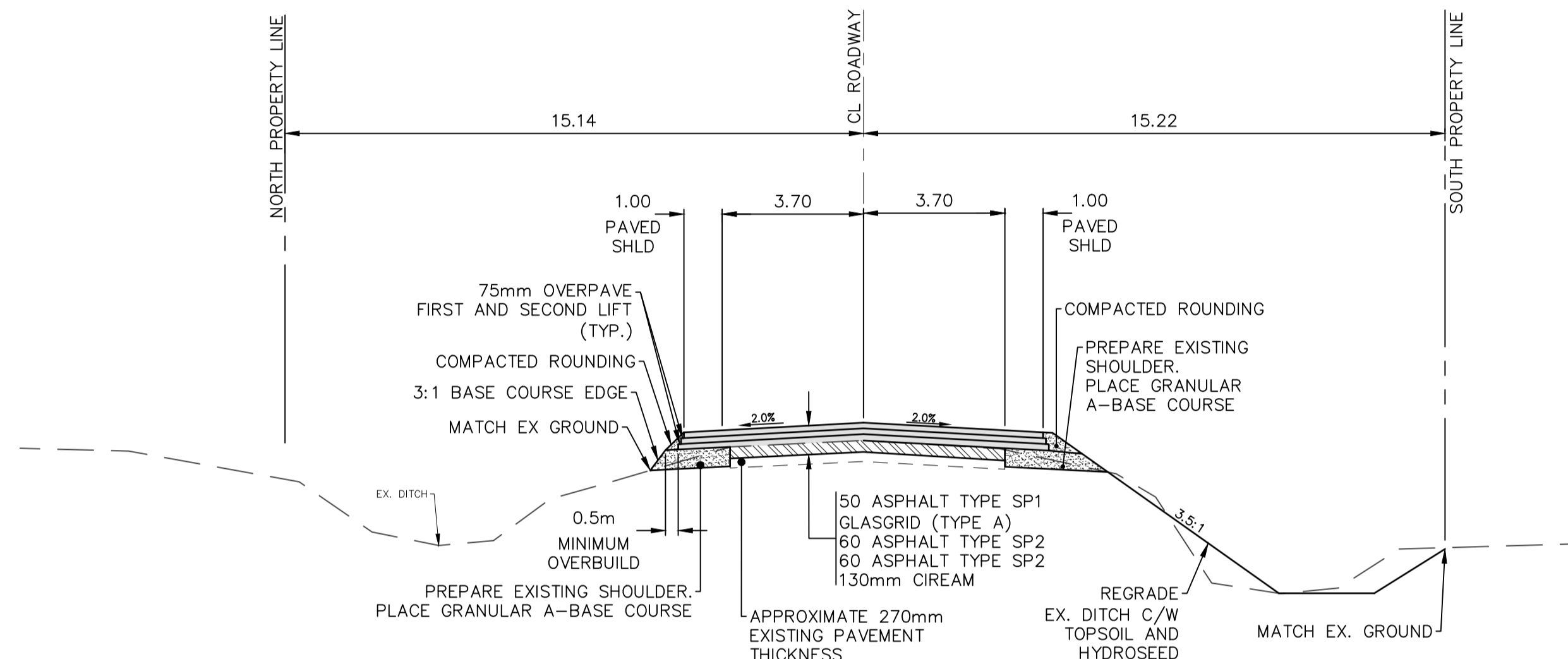


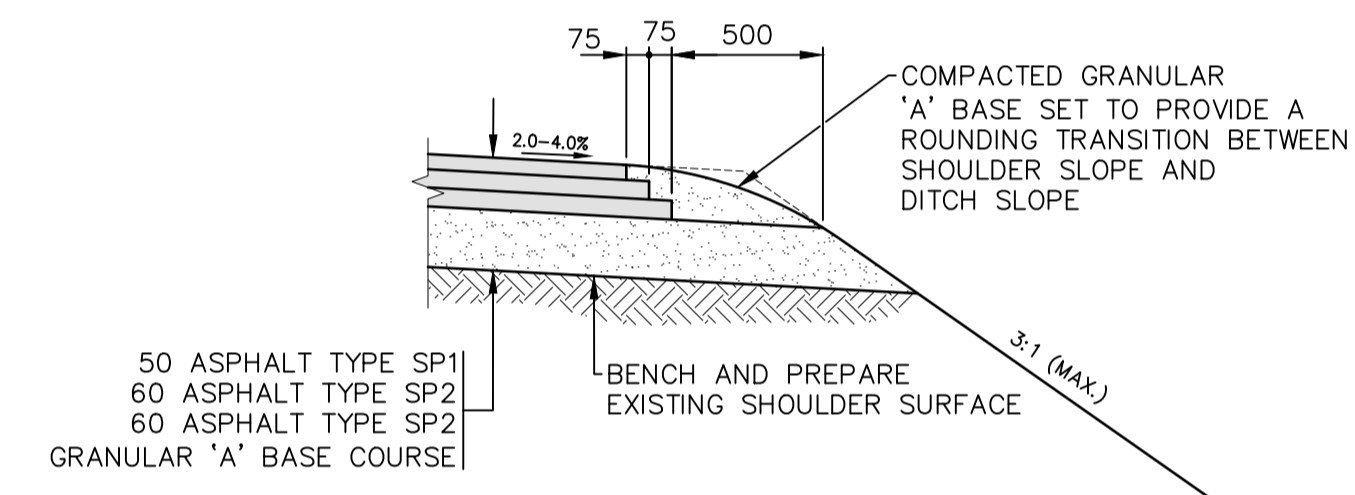
**MILL & FILL SECTION - STATION 7+50**

HORIZONTAL SCALE: 1:125  
VERTICAL SCALE: 1:25



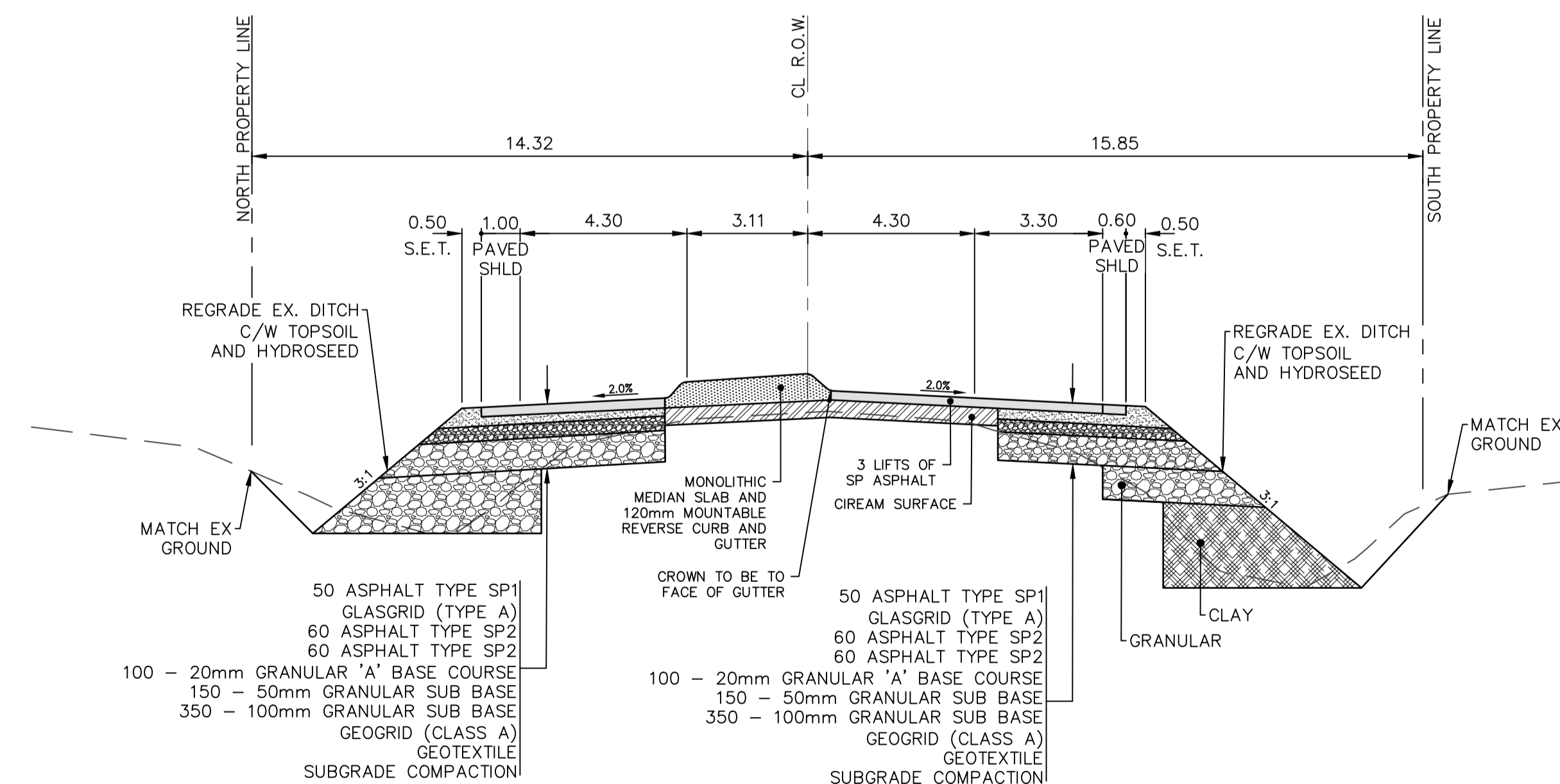
**CIREAM SECTION - STATION 28+70**

HORIZONTAL SCALE: 1:125  
VERTICAL SCALE: 1:25



**SHOULDER ROUNDING DETAIL 'E' (S.E.T.)**

HORIZONTAL SCALE: 1:25



**CROSS SECTION - STATION 32+50**

HORIZONTAL SCALE: 1:125  
VERTICAL SCALE: 1:25

**METRIC**

WHOLE NUMBERS INDICATE MILLIMETRES  
DECIMALIZED NUMBERS INDICATE METRES

**ENGINEERS  
GEOSCIENTISTS  
MANITOBA**  
Certificate of Authorization  
WSP Canada Inc.  
No. 5750

**FOR TENDER PURPOSES ONLY**

**NOT FOR CONSTRUCTION**

---	WATER MAIN	---	⊗	VALVE	⊗	---	EDGE OF SIDEWALK	---	---
---	LAND DRAINAGE SEWER	---	♂	CURB STOP	♂	---	EDGE OF ASPHALT	---	---
---	WASTE WATER SEWER	---	⊕	HYDRO POLE & LIGHT STANDARD	⊕	---	EDGE OF CONCRETE	---	---
---	HYDRO	---	⊕	LIGHT STANDARD OR TRAFFIC SIGNAL	⊕	---	MODIFIED BARRIER CURB	---	---
---	GAS	---	⊕	HYDRO POLE / ANCHOR	⊕	---	BARRIER CURB	---	---
---	COMMUNICATIONS	---	⊕	FENCE	⊕	---	BARRIER CURB AND GUTTER	---	---
---	SIGNALS	---	⊕	PROPERTY LINE	---	---	CONCRETE SIDEWALK	---	---
○	MANHOLE	●	⊕	IRON BAR	---	---	CONCRETE SLAB	---	---
□	CATCH BASIN/CATCH PIT	■	⊕	TEST HOLE / PAVEMENT CORE	⊕	---	ASPHALT	---	---
△	CURB INLET	▼	⊕	ELEVATIONS	(231.000)	---	MILLED SURFACE	---	---
◇	UTILITIES ADJUSTED	△	○	CURB RAMP	---	---	RAKED ASPHALT	---	---
◇	HYDRANT	◆	□	DETECTABLE WARNING SURFACE TILE	---	---	CIREAM	---	---
---	EXISTING	---	---	LEGEND-PLAN	---	---	LEGEND-PLAN	---	---
---	PROPOSED	---	---	LEGEND-PLAN	---	---	PROPOSED	---	---

<b>LOCATIONS APPROVED UNDERGROUND STRUCTURES</b>	
SIGNED BY:	DATE:
SUPV UG STRUCTURES	
LOCATION OF UNDERGROUND STRUCTURES AS SHOWN ARE BASED ON THE BEST INFORMATION AVAILABLE BUT NO GUARANTEE IS GIVEN THAT ALL EXISTING UTILITIES ARE SHOWN OR THAT THE GIVEN LOCATIONS ARE EXACT CONFIRMATION OF EXISTENCE AND EXACT LOCATION OF ALL SERVICES MUST BE OBTAINED FROM THE INDIVIDUAL UTILITIES BEFORE PROCEEDING	

G.B.M. 235.970	BOLT ON SIGNAL POLE AT DUGALD RD./RAVENHURST ST. CENTER MEDIAN EAST
7	
6	
5	
4	
3	
2	
1	
0	ISSUED FOR TENDER 2025-03-14 RB
NO.	REVISIONS DATE BY
	DATE 2025/FEBRUARY

DESIGNED BY	SS	CHECKED BY	VM
DRAWN BY	RB/SB/LT	APPROVED BY	SS
HOR. SCALE	1:250	RELEASED FOR CONSTRUCTION	
VERTICAL SCALE	1:25		
CONSULTANT ACAD DWG. NO.	CA0022818.5512-26		

**Winnipeg** THE CITY OF WINNIPEG  
PUBLIC WORKS DEPARTMENT  
ENGINEERING SERVICES DIVISION

DUGALD ROAD PAVEMENT RENEWAL - PLESSIS ROAD TO RAVENHURST STREET

CROSS SECTIONS AND DETAILS  
ASPHALT RECONSTRUCTION AND MILL & FILL

CITY DRAWING NUMBER: P-3594-26  
SHEET 26 OF 33  
TENDER NO. 59-2025

Mar 14, 2025 - 9:06am  
P:\2024\CA0022818.5512 - Pavement Renewals Dugald & Plessis\02 Drawings\03\_Work\_Dwg\CA0022818.5512\_Dugald Rd\_Cross Sections.dwg - Job: P-3594-26