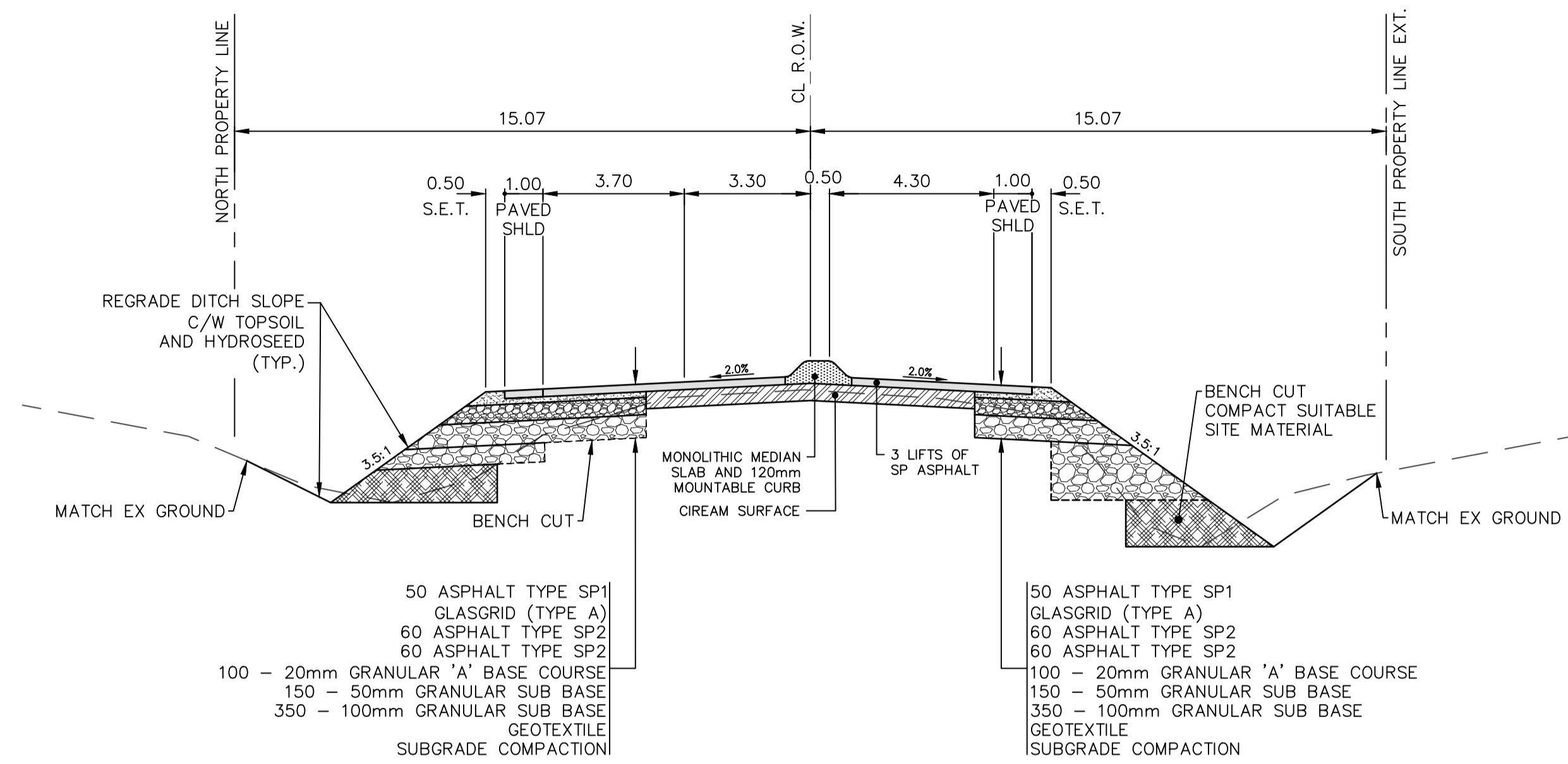
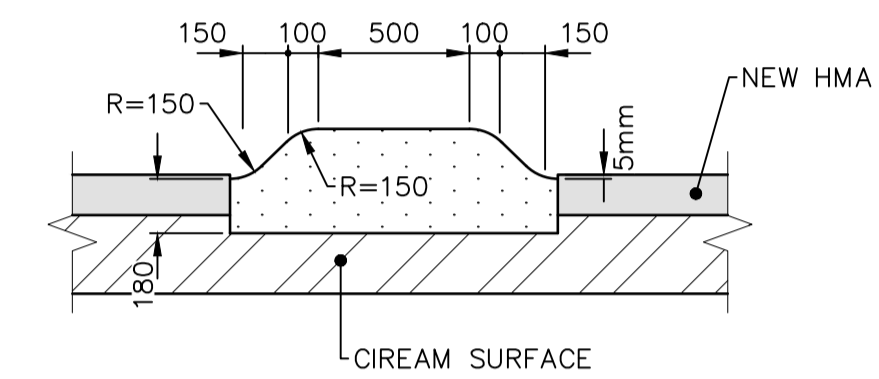


Mar 14, 2025 - 9:07am P:\2024\CA0022818.5512 - Pavement Renewals Dugald & Plessis\02 Drawings\03_Work_Dwg\CA0022818.5512_Dugald Rd_Cross Sections.dwg - Job: P-3594-27



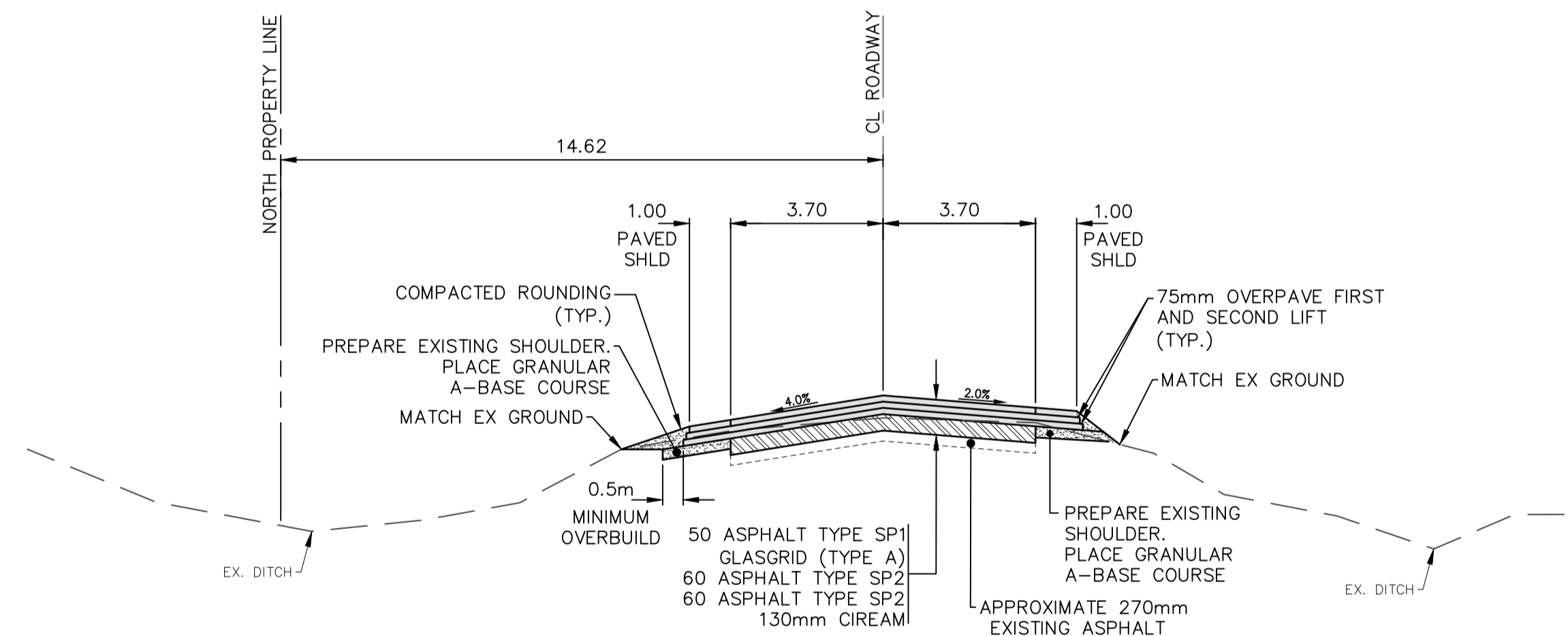
CROSS SECTION - STATION 33+40

HORIZONTAL SCALE: 1:125
VERTICAL SCALE: 1:25



MONOLITHIC MEDIAN AND 120mm MOUNTABLE CURB DETAIL 'F'

HORIZONTAL SCALE: 1:25



CIREAM SECTION - STATION 37+50

HORIZONTAL SCALE: 1:125
VERTICAL SCALE: 1:25

METRIC
WHOLE NUMBERS INDICATE MILLIMETRES
DECIMALIZED NUMBERS INDICATE METRES

ENGINEERS GEOSCIENTISTS MANITOBA
Certificate of Authorization
WSP Canada Inc.
No. 5750

FOR TENDER PURPOSES ONLY
NOT FOR CONSTRUCTION

| | | | | | | | | | |
|-----|-----------------------|-----|-----|----------------------------------|-----------|-----|-------------------------|-----|------------------------|
| --- | WATER MAIN | --- | ⊗ | VALVE | ⊗ | --- | EDGE OF SIDEWALK | --- | LOCATIONS APPROVED |
| --- | LAND DRAINAGE SEWER | --- | ⊕ | CURB STOP | ⊕ | --- | EDGE OF ASPHALT | --- | UNDERGROUND STRUCTURES |
| --- | WASTE WATER SEWER | --- | ⊕ | HYDRO POLE & LIGHT STANDARD | ⊕ | --- | EDGE OF CONCRETE | --- | |
| --- | HYDRO | --- | ⊕ | LIGHT STANDARD OR TRAFFIC SIGNAL | ⊕ | --- | MODIFIED BARRIER CURB | --- | |
| --- | GAS | --- | ⊕ | HYDRO POLE / ANCHOR | ⊕ | --- | BARRIER CURB | --- | |
| --- | COMMUNICATIONS | --- | ⊕ | FENCE | ⊕ | --- | BARRIER CURB AND GUTTER | --- | |
| --- | SIGNALS | --- | ⊕ | PROPERTY LINE | --- | --- | CONCRETE SIDEWALK | --- | |
| ○ | MANHOLE | ● | ⊕ | IRON BAR | --- | --- | CONCRETE SLAB | --- | |
| □ | CATCH BASIN/CATCH PIT | ■ | ⊕ | TEST HOLE / PAVEMENT CORE | ⊕ | --- | ASPHALT | --- | |
| △ | CURB INLET | ▼ | ⊕ | ELEVATIONS | (231.000) | --- | MILLED SURFACE | --- | |
| ◇ | UTILITIES ADJUSTED | △ | ⊕ | CURB RAMP | --- | --- | RAKED ASPHALT | --- | |
| ◇ | HYDRANT | ◆ | ⊕ | DETECTABLE WARNING SURFACE TILE | --- | --- | CIREAM | --- | |
| --- | EXISTING | --- | --- | LEGEND-PLAN | --- | --- | LEGEND-PLAN | --- | |
| --- | PROPOSED | --- | --- | LEGEND-PLAN | --- | --- | PROPOSED | --- | |

| | | |
|---|--|---------------|
| SIGNED BY: | | DATE: |
| SUPLY UG STRUCTURES | | |
| LOCATION OF UNDERGROUND STRUCTURES AS SHOWN ARE BASED ON THE BEST INFORMATION AVAILABLE BUT NO GUARANTEE IS GIVEN THAT ALL EXISTING UTILITIES ARE SHOWN OR THAT THE GIVEN LOCATIONS ARE EXACT CONFIRMATION OF EXISTANCE AND EXACT LOCATION OF ALL SERVICES MUST BE OBTAINED FROM THE INDIVIDUAL UTILITIES BEFORE PROCEEDING | | |
| G.B.M. ELEV. | BOLT ON SIGNAL POLE AT DUGALD RD./RAVENHURST ST. CENTER MEDIAN EAST 235.970 | |
| 7 | | |
| 6 | | |
| 5 | | |
| 4 | | |
| 3 | | |
| 2 | | |
| 1 | | |
| 0 | ISSUED FOR TENDER | 2025-03-14 RB |
| NO. | REVISIONS | DATE BY |

| | | |
|-------------|---------------|--|
| wsp | | WSP Canada Inc. 1600 Buffalo Place Winnipeg, MB R3T 6B8 t. 204.477.6650 f. 204.474.2864 www.wsp.com |
| DESIGNED BY | SS | CHECKED BY VM |
| DRAWN BY | RB/SB/LT | APPROVED BY SS |
| HOR. SCALE | 1:250 | RELEASED FOR CONSTRUCTION |
| VERTICAL | 1:25 | |
| DATE | 2025/FEBRUARY | DATE |

| | |
|--------------------------|-------------------|
| ENGINEER'S SEAL | |
| CONSULTANT ACAD DWG. NO. | CA0022818.5512-27 |

THE CITY OF WINNIPEG
PUBLIC WORKS DEPARTMENT
ENGINEERING SERVICES DIVISION

DUGALD ROAD PAVEMENT RENEWAL - PLESSIS
ROAD TO RAVENHURST STREET

CROSS SECTIONS AND DETAILS
ASPHALT RECONSTRUCTION AND MILL&FILL

CITY DRAWING NUMBER: P-3594-27
SHEET 27 OF 33
TENDER NO. 59-2025