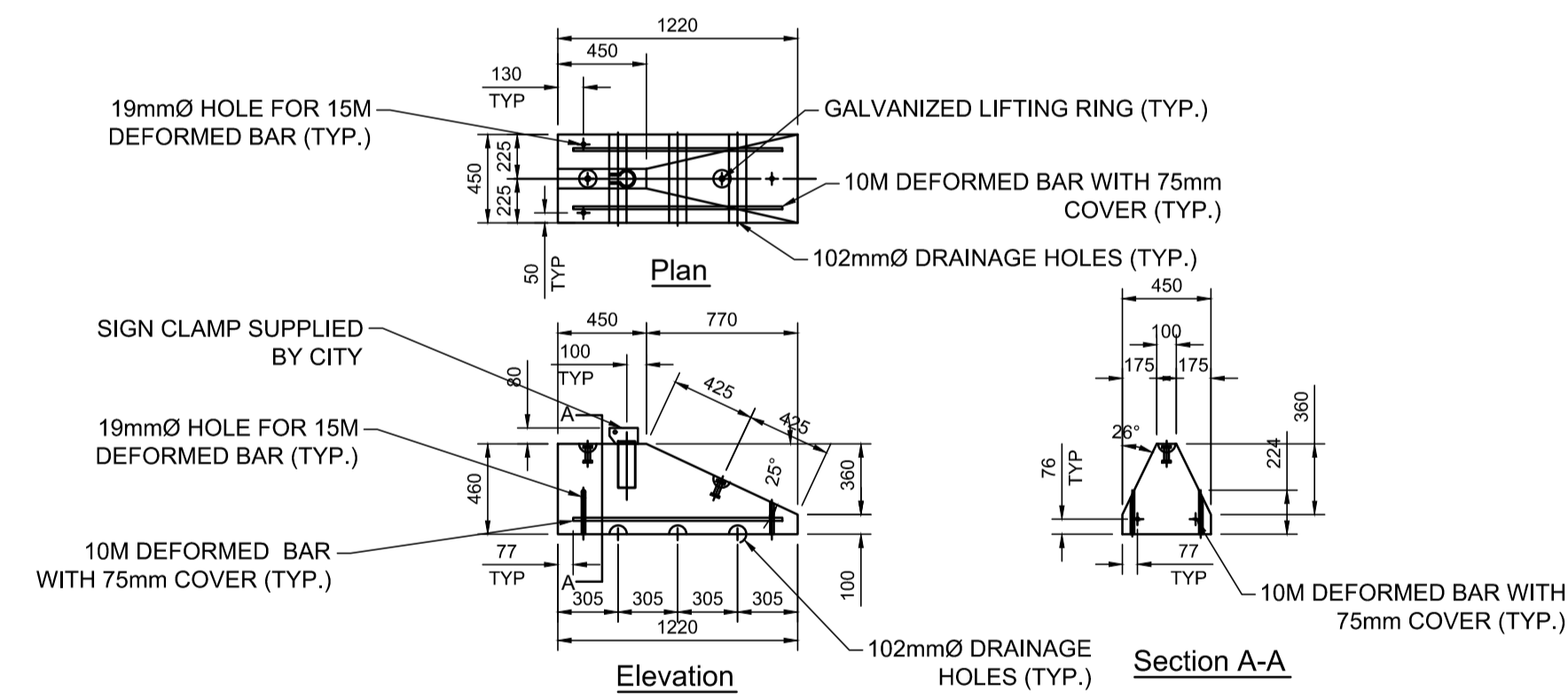


DETAIL 1 - ADJUSTABLE CURB WITH DRAINAGE CHANNEL
Scale N.T.S.



DETAIL 2 - PRE-CAST CONCRETE BIKE LANE CURB - END UNIT
Scale N.T.S.

**ENGINEERS
GEOLOGISTS
MANITOBA**
Certificate of Authorization
AECOM Canada ULC
No. 4671 Date: 03/20/2025

METRIC
WHOLE NUMBERS INDICATE MILLIMETRES
DECIMALIZED NUMBERS INDICATE METRES

150 mm W.M.	WATERMAIN	150 mm W.M.	HYDRO	---x---	PROFILE	LOCATION APPROVED UNDERGROUND STRUCTURES	B.M. ELEV.	AECOM	ENGINEER'S SEAL	THE CITY OF WINNIPEG PUBLIC WORKS DEPARTMENT ENGINEERING DIVISION	CITY DRAWING NUMBER
300mm L.D.S.	LAND DRAINAGE SEWER	300mm L.D.S.	M.T.S.	---x---	W GUTTER	SUPV. U/G STRUCTURES COMMITTEE	DESIGNED BY: JT				
250mm W.W.S.	WASTEWATER SEWER	250mm W.W.S.	CONCRETE	---x---	W EDGE OF ROAD	DATE	DRAWN BY: RAM	APPROVED BY: RC	CONSULTANT DRAWING NO. CT-33	DETAILS DRAWING	
	MANHOLE		ASPHALT	---x---	W PROPERTY LINE	NOTE:	HOR. SCALE: NTS	RELEASED FOR CONSTRUCTION BY:			
	CATCH BASIN	235.750	PROPERTY LINE	---x---		LOCATION OF UNDERGROUND STRUCTURES AS SHOWN ARE BASED ON THE BEST INFORMATION AVAILABLE. BUT NO GUARANTEE IS GIVEN THAT ALL EXISTING UTILITIES ARE SHOWN OR THAT THE GIVEN LOCATIONS ARE EXACT. CONFIRMATION OF EXISTENCE AND EXACT LOCATION OF ALL SERVICES MUST BE OBTAINED FROM THE INDIVIDUAL UTILITIES BEFORE PROCEEDING WITH CONSTRUCTION.	NO. REVISIONS	DATE	DATE	01/31/2025	DATE
	CATCH PIT	300#	SURVEY BAR	---x---							
	TRAFFIC SIGNAL POLE		ELEVATION (35.750)	---x---							
	STREET LIGHT		TREE	---x---							
	GAS		SIDEWALK RAMP	---x---							
EXISTING	LEGEND - PLAN	PROPOSED	CONCRETE SIDEWALK FENCE	---x---	EXISTING	LEGEND - PROFILE	PROPOSED				