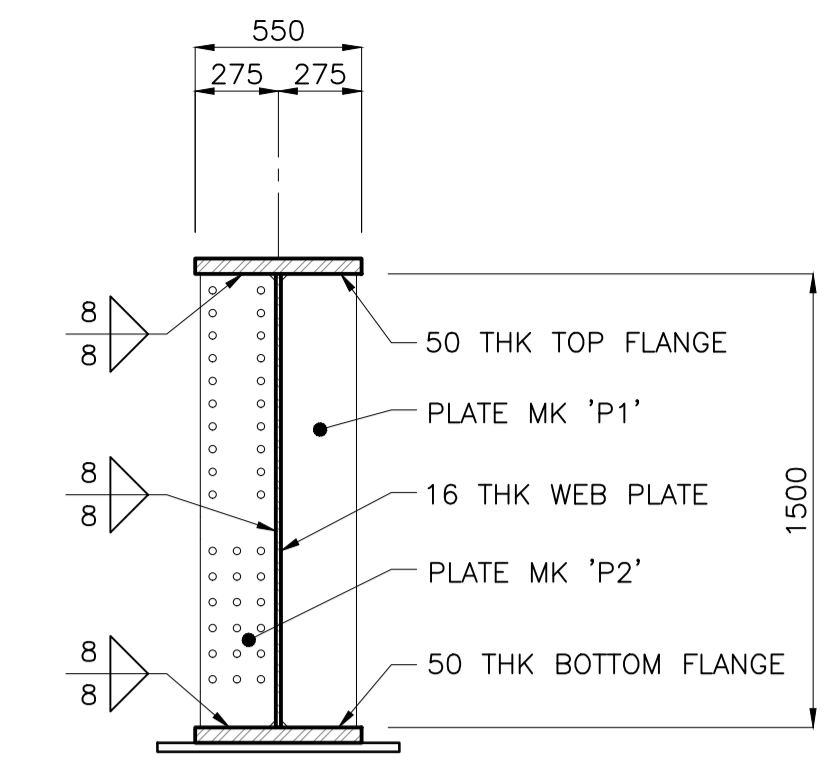
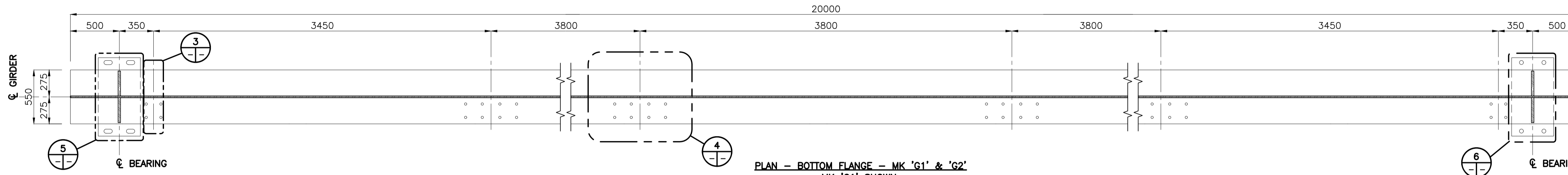


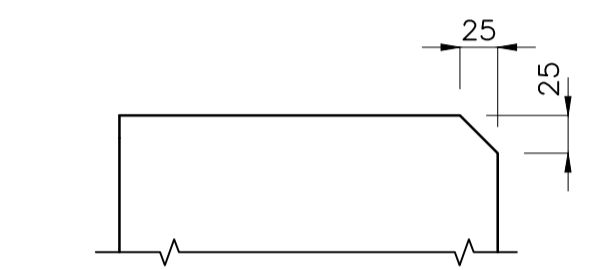
ELEVATION - MK 'G1' & 'G2'
MK 'G1' SHOWN
MK 'G2' OPH



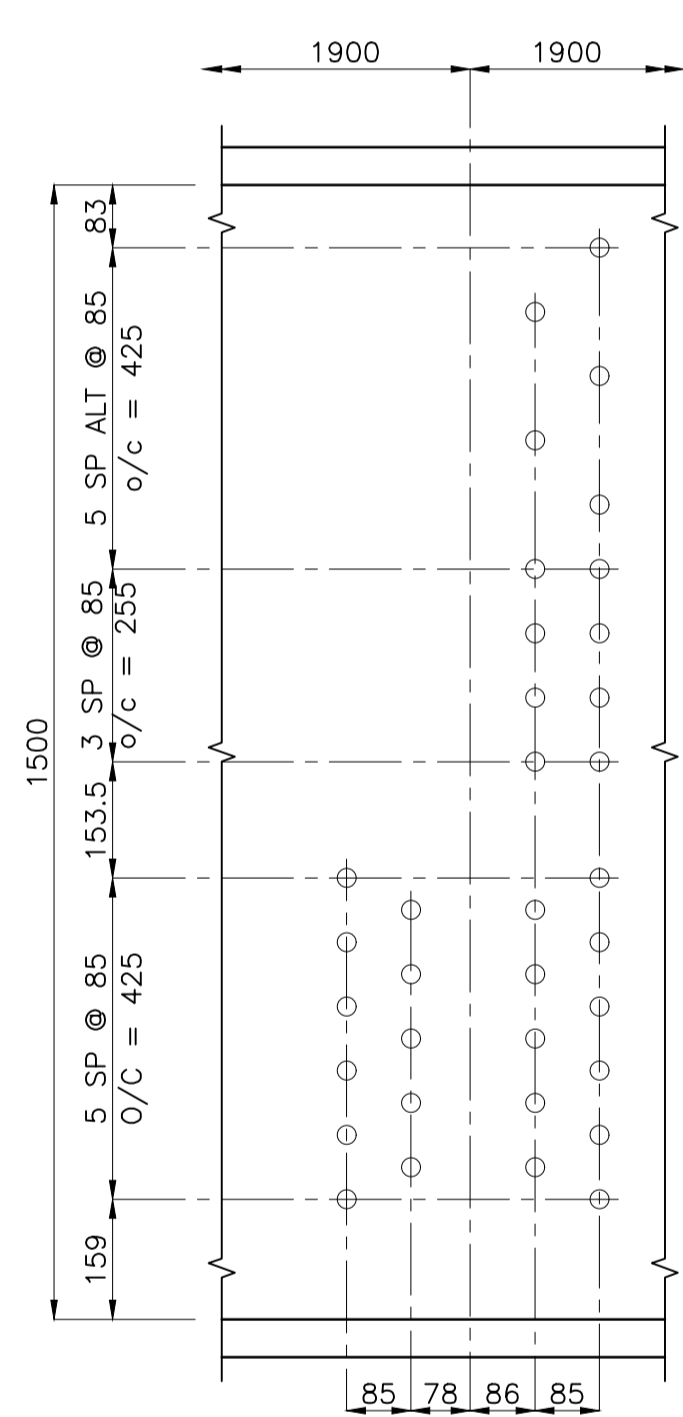
SECTION A-A
1:25



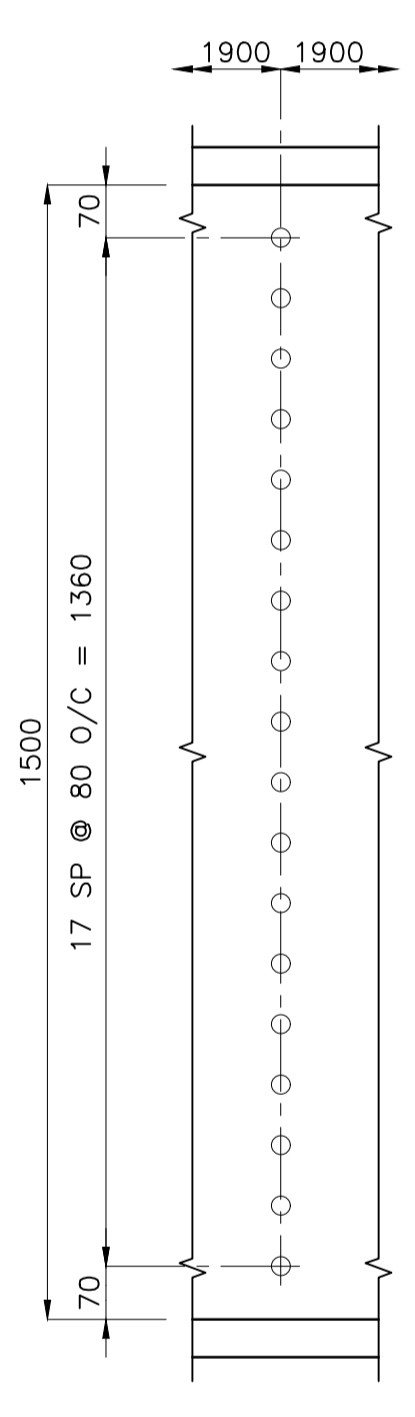
PLAN - BOTTOM FLANGE - MK 'G1' & 'G2'
MK 'G1' SHOWN
MK 'G2' OPH
GIRDER - MK 'G1' & 'G2' (FCM)



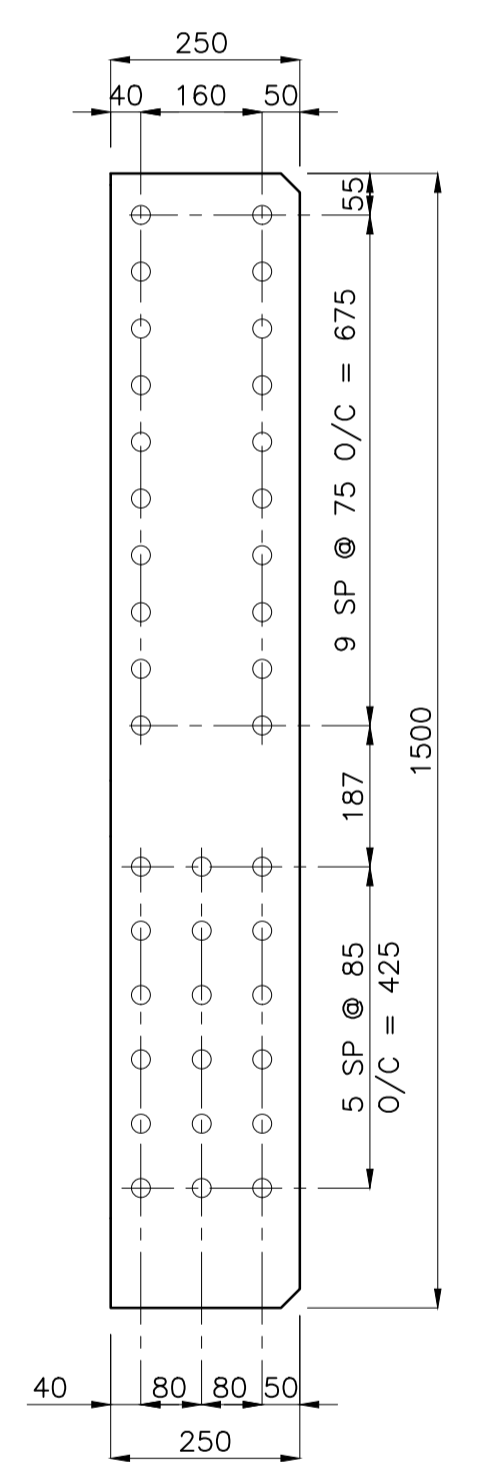
TYP. PLATE COPE DETAIL
1:5



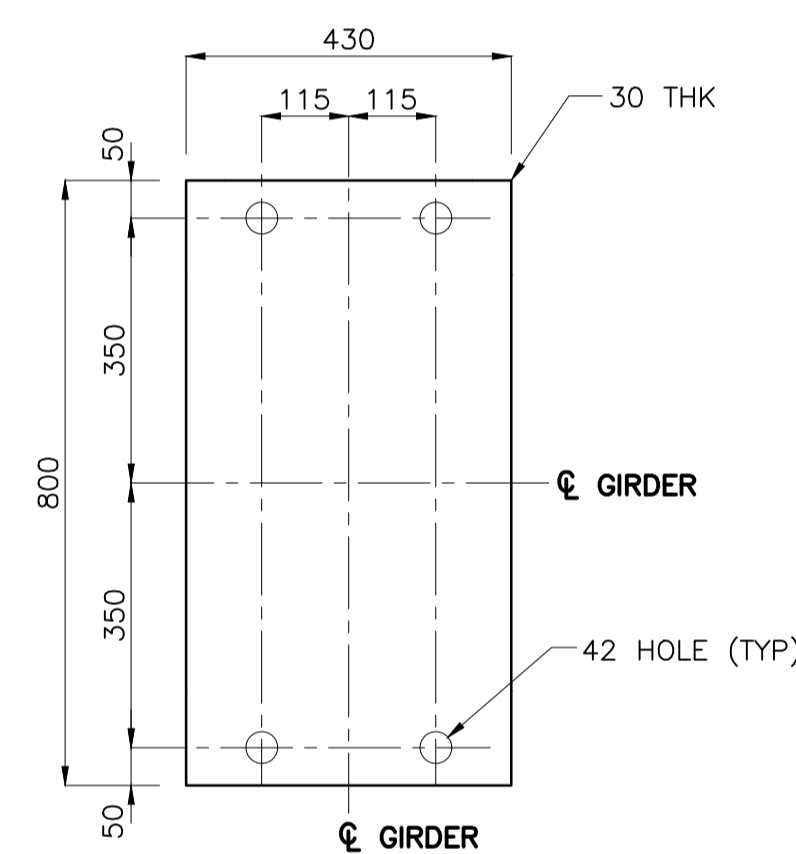
1 DETAIL
1:10



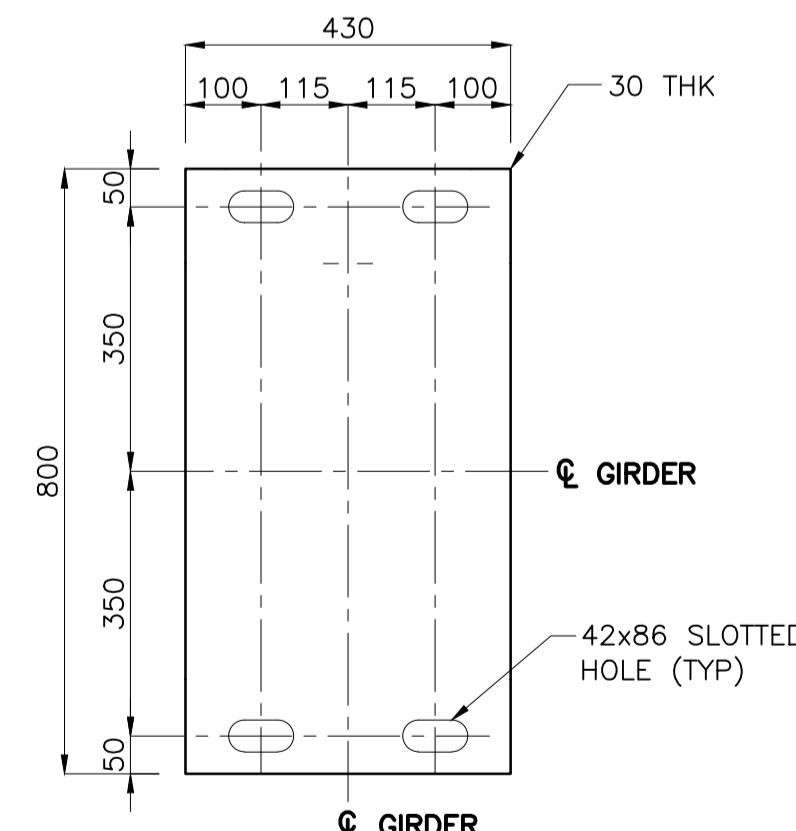
2 DETAIL
1:10



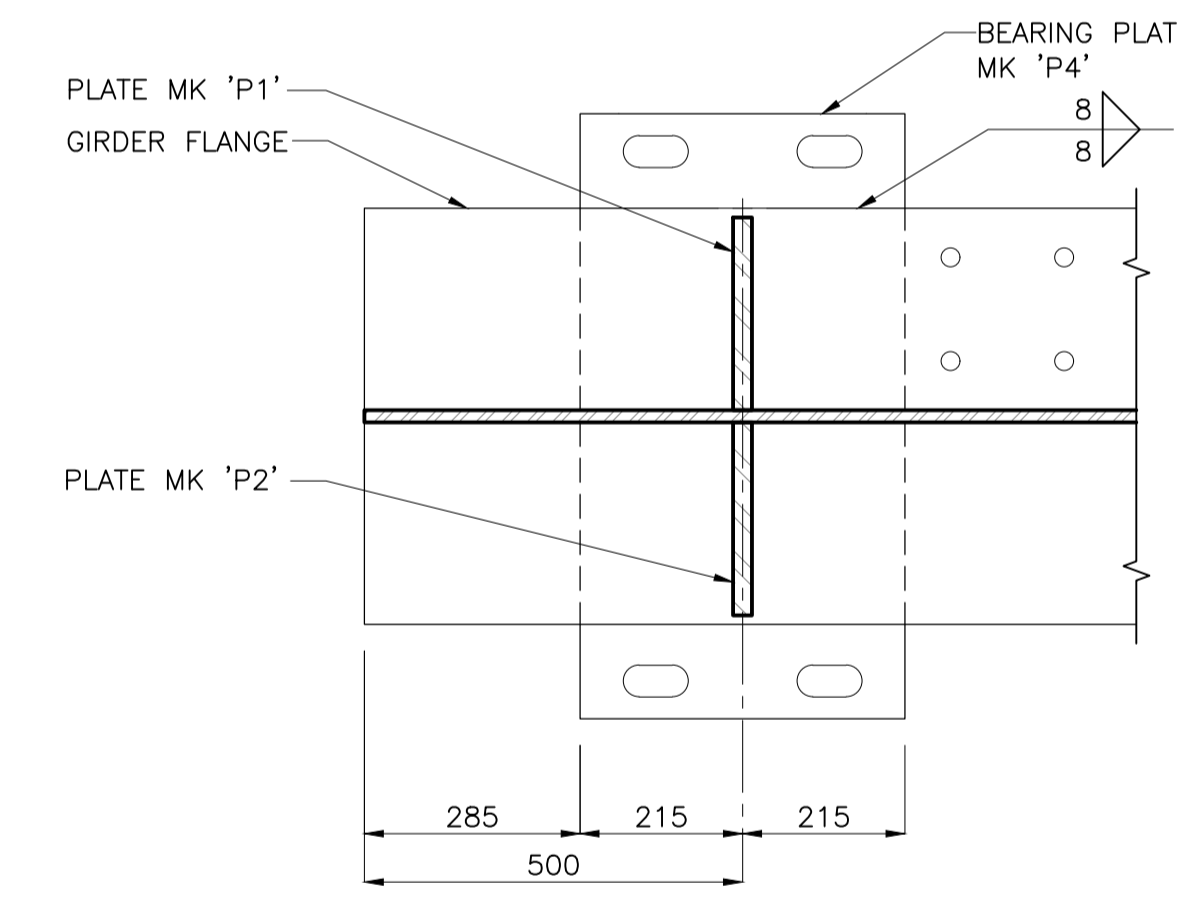
STIFFENER PLATE MK 'P1' & 'P2' (PM)
1:10
MK 'P2' SHOWN
MK 'P1' NO HOLES



BEARING PLATE MK 'P3'
1:10

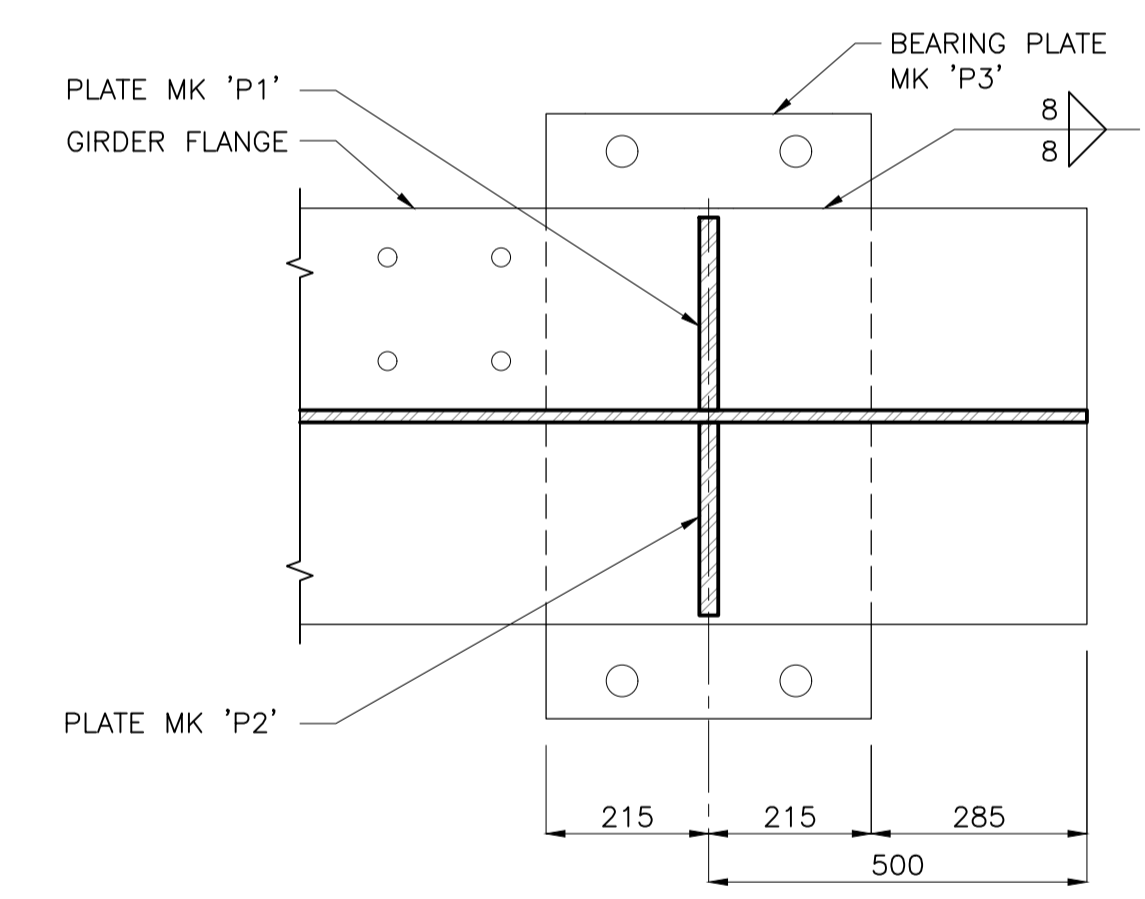


BEARING PLATE MK 'P4'
1:10



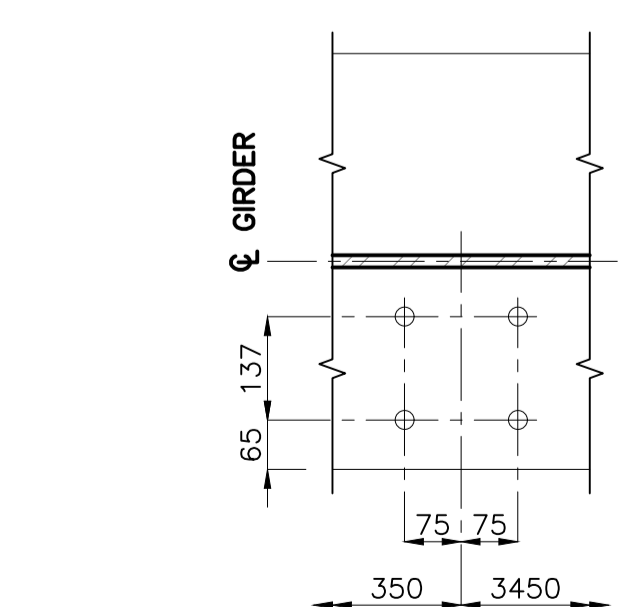
PLAN VIEW

5 DETAIL
1:10

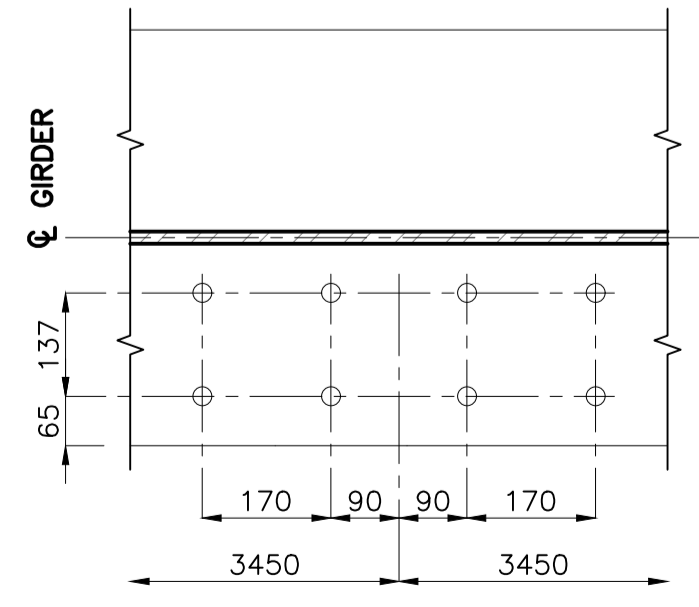


PLAN VIEW

6 DETAIL
1:10



3 DETAIL
1:10



4 DETAIL
1:10

METRIC

WHOLE NUMBERS INDICATE MILLIMETRES
DECIMALIZED NUMBERS INDICATE METRES

B.M. ELEV.		 500-311 Portage Ave. Winnipeg MB Canada www.stantec.com		ENGINEER'S SEAL		 THE CITY OF WINNIPEG WATER AND WASTE DEPARTMENT ENGINEERING DIVISION GREATER WINNIPEG WATER DISTRICT RAILWAY BRIDGE REPLACEMENT AT MILE 41.3 STRUCTURAL STEEL GIRDER DETAILS		SHEET 12 OF 17	
DESIGNED BY	S.S.Y.			CHECKED BY	Y.M.S.			CAD FILE DRAWING NUMBER 33942s-109-m41.3.dwg	
DRAWN BY	J.M.B.	APPROVED BY	E.R.T.	CITY DRAWING NUMBER 1-0754R-S0010-001					
HOR. SCALE: AS NOTED		RELEASED FOR CONSTRUCTION:		CONSULTANT DRAWING NO. S-109					
VERTICAL:		DATE							
0	ISSUED FOR TENDER	26.02.13	J.M.B.						
NO.	REVISIONS	DATE	BY	DATE					
				2026-02-11					

U:\1137942\0300_drawing\0302_sheet_files\03_structural\33942s-109-m41.3.dwg
2026/02/11 4:01 PM By: E:\mjb\jmb