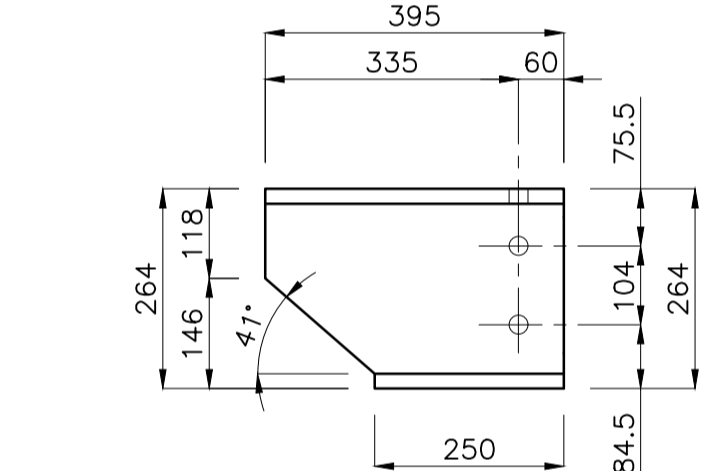
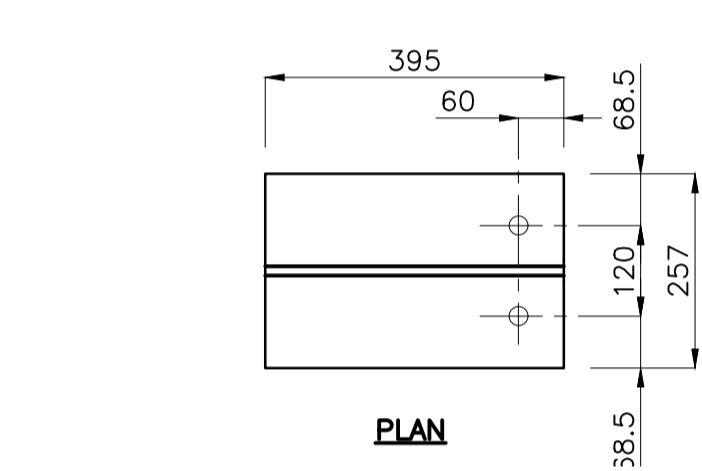
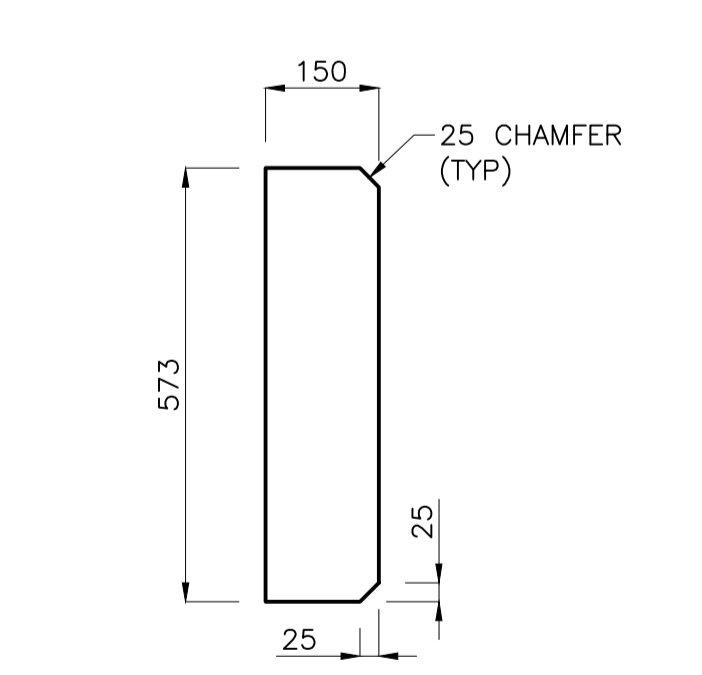


STRINGER MK 'ST1' & 'ST2' (PM)
1:10



STRINGER BEAM END MK 'ST3' (PM)
1:10



JACKING PLATE MK 'P5'
1:10

METRIC
WHOLE NUMBERS INDICATE MILLIMETRES
DECIMALIZED NUMBERS INDICATE METRES

B.M. ELEV.		 500-311 Portage Ave. Winnipeg MB Canada www.stantec.com		ENGINEER'S SEAL		 THE CITY OF WINNIPEG WATER AND WASTE DEPARTMENT ENGINEERING DIVISION	
				DESIGNED BY: S.S.Y.			
		DRAWN BY: J.M.B.		APPROVED BY: E.R.T.		GREATER WINNIPEG WATER DISTRICT	
		HOR. SCALE: AS NOTED		RELEASED FOR CONSTRUCTION:		STRUCTURAL STEEL	
0 ISSUED FOR TENDER		26.02.13 J.M.B.		DATE: 2026-02-11		SHEET 13 OF 17	
NO. REVISIONS		DATE BY		DATE		CAD FILE DRAWING NUMBER 33942s-110-m41.3.dwg	
						CITY DRAWING NUMBER 1-0754R-S0011-001	

U:\11272942\0300_drawing\0302_sheet_files\03_structural\33942s-110-m41.3.dwg
2026/02/11 4:01 PM By: E:\james