

PLATE MK 'P6' (PM)  
1:10

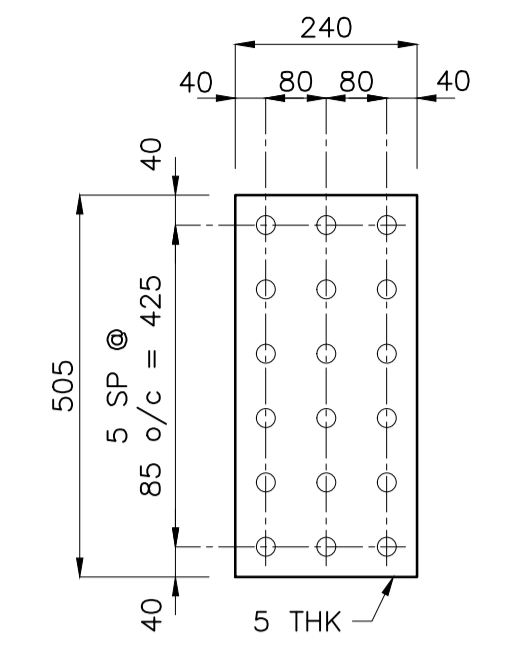


PLATE MK 'P7' (PM)  
1:10

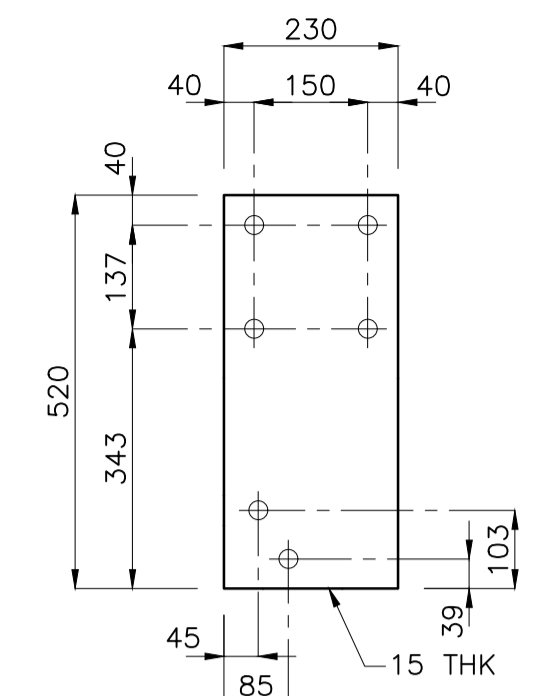


PLATE MK 'P8'  
1:10

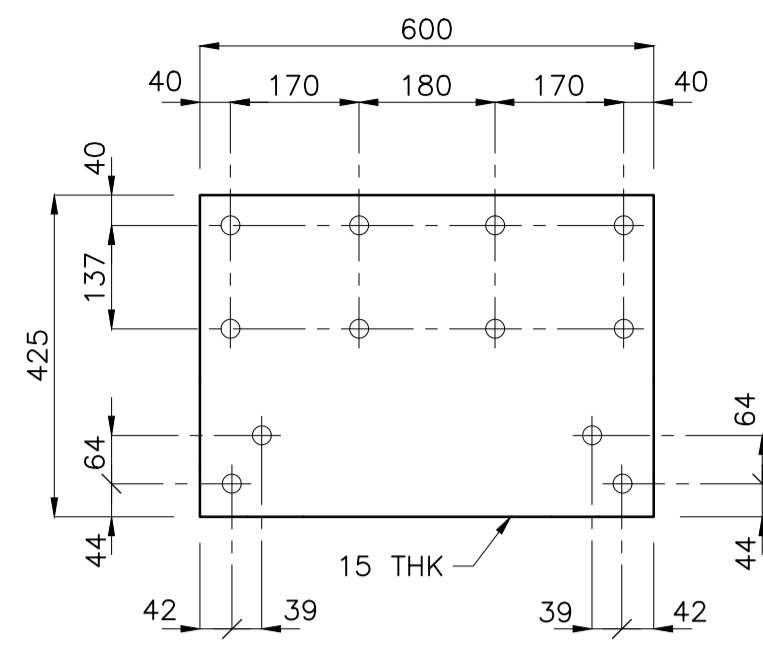


PLATE MK 'P9'  
1:10

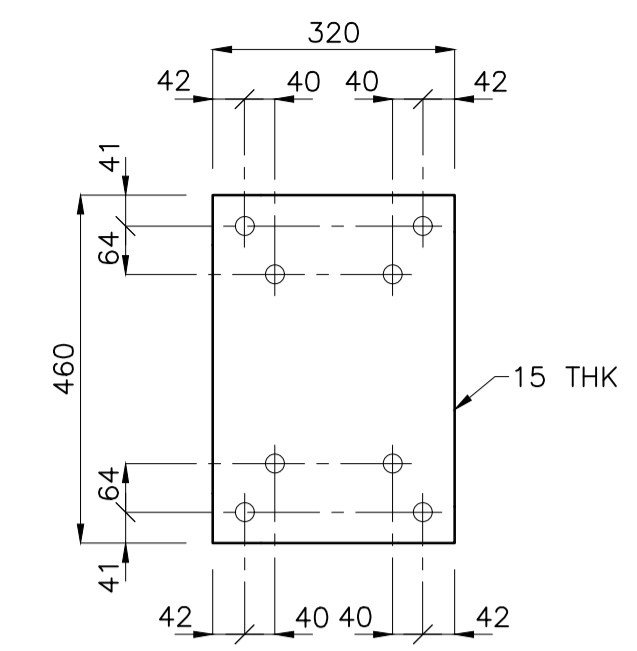
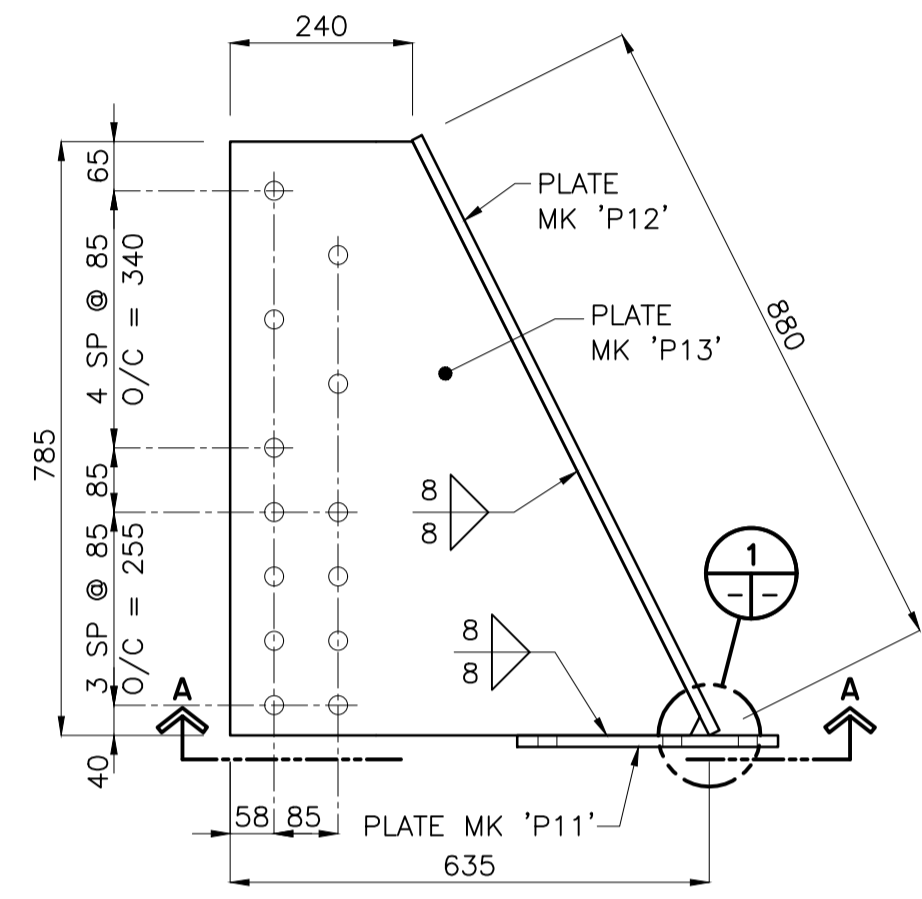
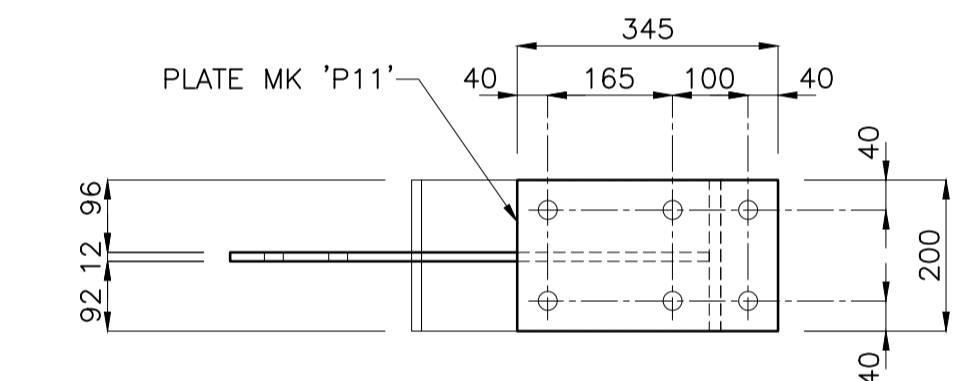


PLATE MK 'P10'  
1:10

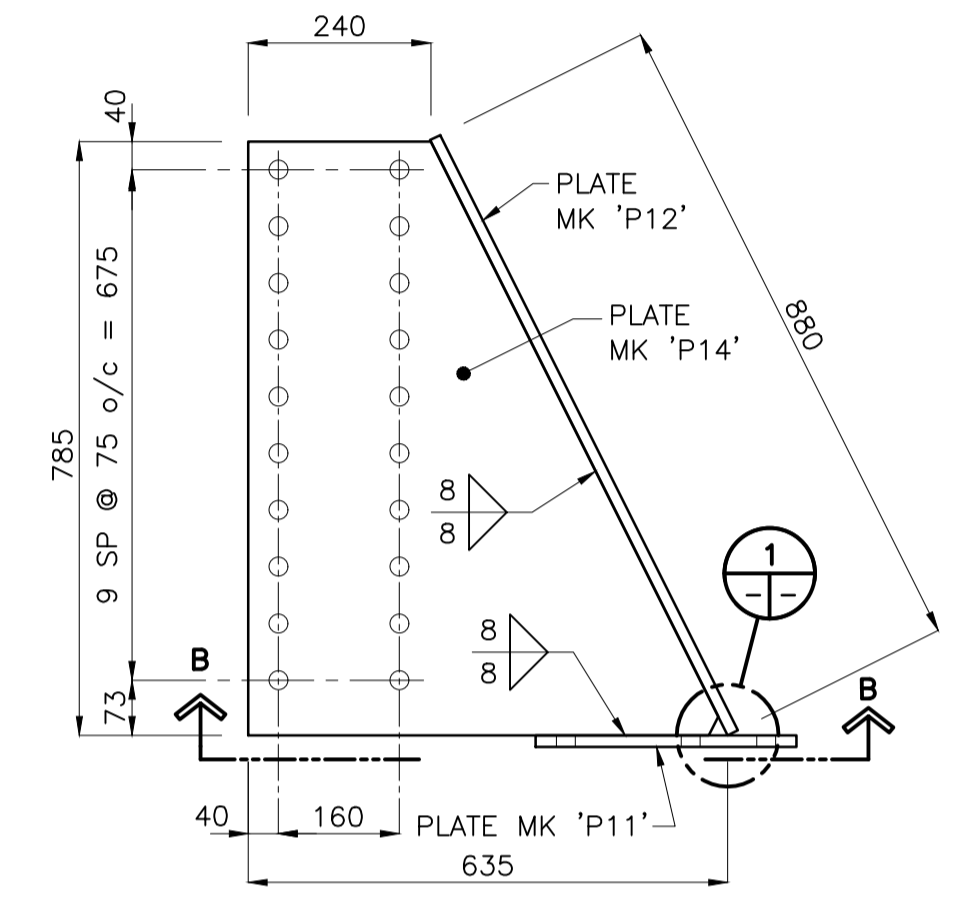


ELEVATION VIEW

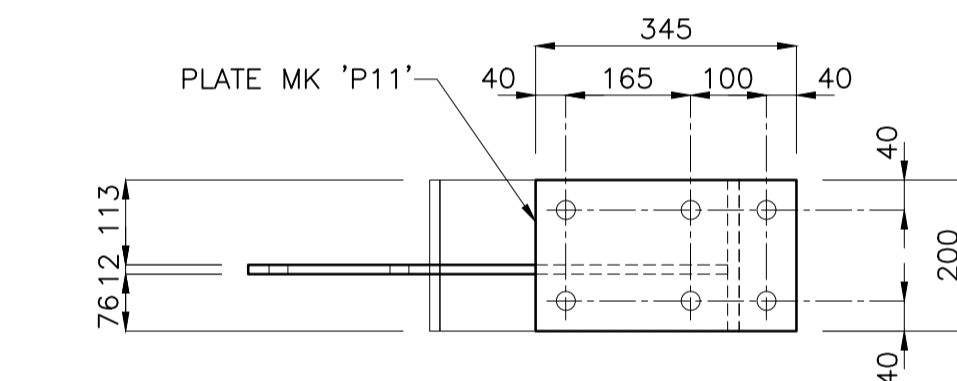


VIEW A-A

KNEE BRACE MK 'KB1' & 'KB2'  
1:10  
MK. 'KB2' SHOWN  
MK. 'KB1' OPH

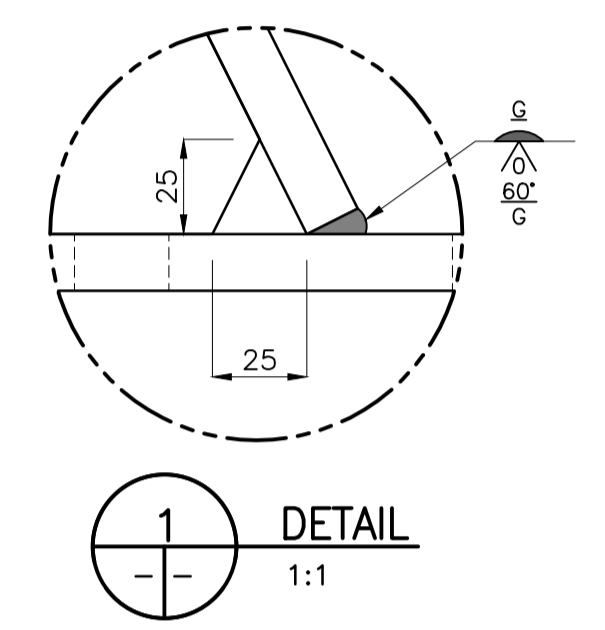


ELEVATION VIEW



VIEW B-B

KNEE BRACE MK 'KB3' & 'KB4'  
1:10  
MK. 'KB4' SHOWN  
MK. 'KB3' OPH



DETAIL  
1:1

METRIC  
WHOLE NUMBERS INDICATE MILLIMETRES  
DECIMALIZED NUMBERS INDICATE METRES

B.M. ELEV.		 500-311 Portage Ave. Winnipeg MB Canada www.stantec.com		ENGINEER'S SEAL		 THE CITY OF WINNIPEG WATER AND WASTE DEPARTMENT ENGINEERING DIVISION	
DESIGNED BY	S.S.Y.	CHECKED BY	Y.M.S.	CONSULTANT DRAWING NO. S-112		GREATER WINNIPEG WATER DISTRICT	
DRAWN BY	J.M.B.	APPROVED BY	E.R.T.			RAILWAY BRIDGE REPLACEMENT AT MILE 41.3	
HOR. SCALE: AS NOTED		RELEASED FOR CONSTRUCTION:		CITY DRAWING NUMBER 1-0754R-S0013-001		STRUCTURAL STEEL	
VERTICAL:		DATE				PLATE DETAILS	
NO.	REVISIONS	DATE	BY	DATE	2026-02-11		

U:\11272942\0300\_drawing\0302\_sheet\_files\03\_structural\32942s-12-m41.3.dwg  
2026/02/11 4:02 PM By: Baraman, James