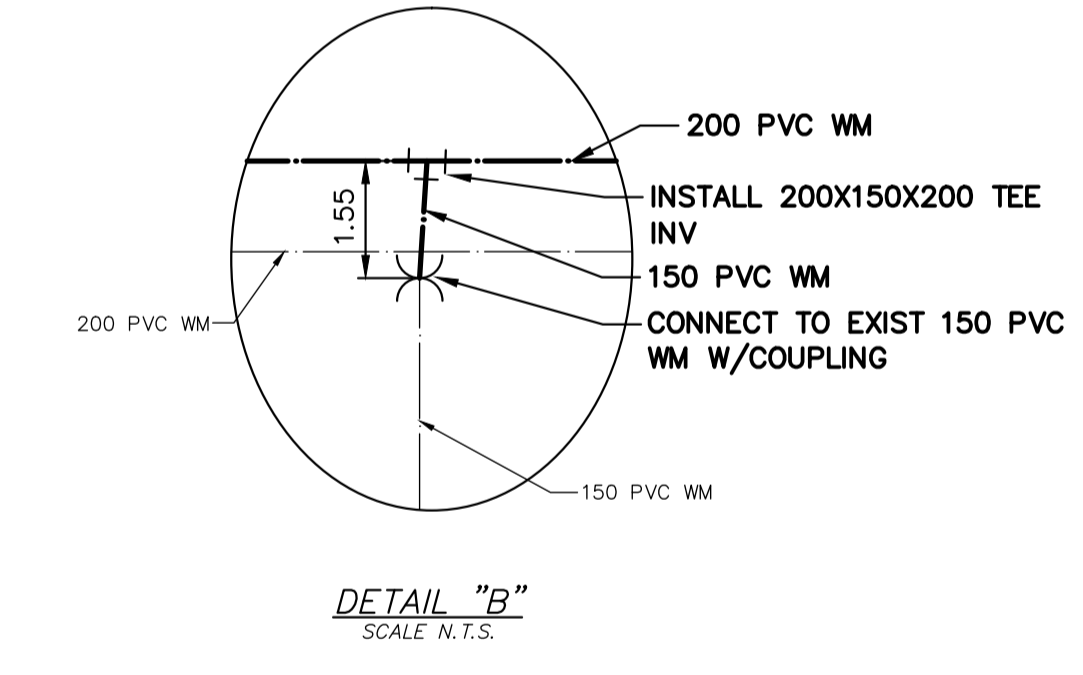
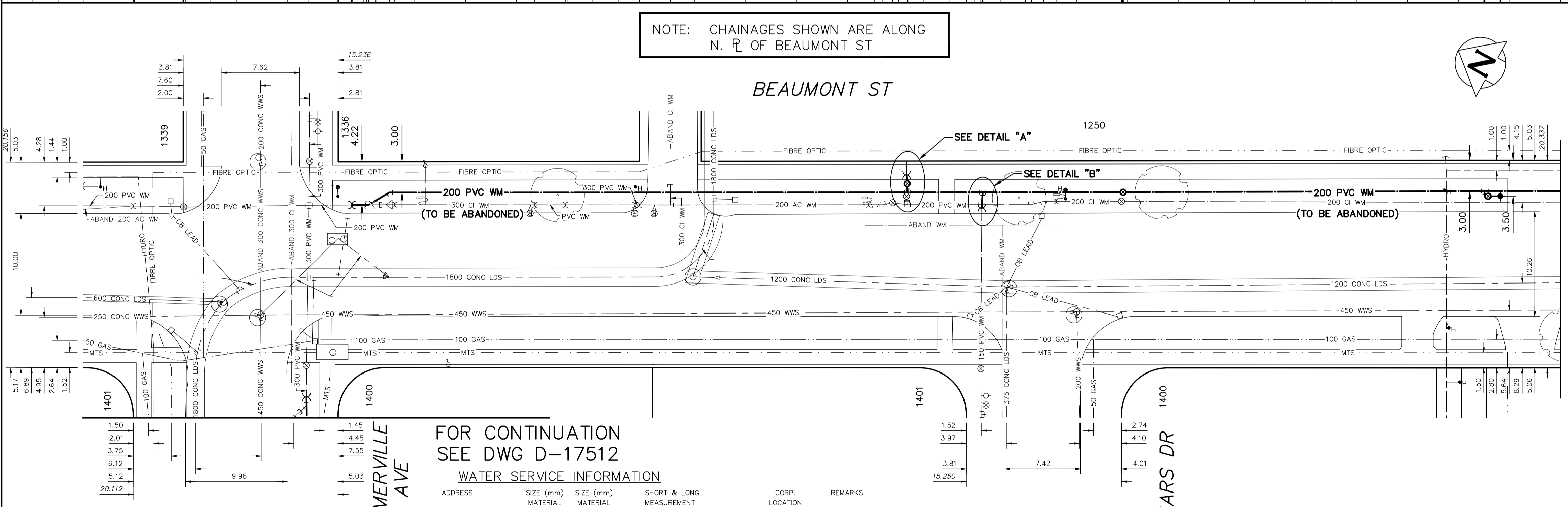


NOTE: CHAINAGES SHOWN ARE ALONG N. P. OF BEAUMONT ST



MATCHLINE 2+20.00
SEE DWG D-17506

FOR CONTINUATION
SEE DWG D-17512

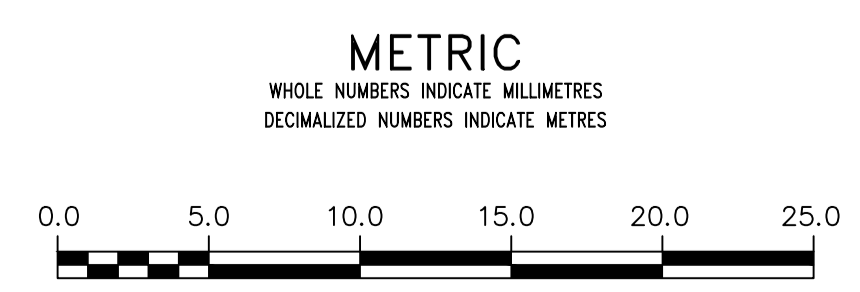
WATER SERVICE INFORMATION

ADDRESS	SIZE (mm) MATERIAL (STREET)	SIZE (mm) MATERIAL (PROP.)	SHORT & LONG MEASUREMENT	CORP. LOCATION	REMARKS
1336 SOMERVILLE AVE	20	12	3.32 SNL HSE	OPP. OF S/C	RECONNECT SERVICE
RESIDENTIAL	CU	LEAD	8.550 SSL SOMERVILLE AVE	-	SERVICES OFF BEAUMONT
1400 SOMERVILLE AVE	-	20	5.28 SNL HSE	-	RECONNECT SERVICE
RESIDENTIAL	CU	10.830 SSL SOMERVILLE AVE	-	-	-
1250 BEAUMONT ST	150	150	8.00 SNL BLDG	-	RECONNECT SERVICE
COMMERCIAL	PVC	PVC	55.920 SSL SOMERVILLE AVE	-	-

* SERVICES TO BE RENEWED TO R. ALL OTHERS TO BE RECONNECTED

FOR INDEX SEE
D-17504

NOTE: ALL VALVES TO BE INSTALLED
CLOCKWISE TO CLOSE



WARNING
IF POWER EQUIPMENT OR EXPLOSIVES
ARE TO BE USED FOR EXCAVATION ON
THIS PROJECT THE CONTRACTOR MUST:

1) NOTIFY THE GAS COMPANY OF THE
PROPOSED LOCATION OF EXCAVATION.

2) TAKE PRECAUTION TO AVOID DAMAGE
TO GAS COMPANY INSTALLATIONS.

SEE PROVINCIAL REGULATION 210/72 FOR DETAILS

LOCATION APPROVED
UNDERGROUND STRUCTURES

SUPV. U/G STRUCTURES COMMITTEE DATE

NOTE:
LOCATION OF UNDERGROUND STRUCTURES AS
SHOWN ARE BASED ON THE BEST INFORMATION
AVAILABLE BUT NO GUARANTEE IS GIVEN THAT ALL
EXISTING UTILITIES ARE SHOWN OR THAT THE GIVEN
LOCATIONS ARE EXACT. CONFIRMATION OF
EXISTENCE AND EXACT LOCATION OF ALL
SERVICES MUST BE OBTAINED FROM THE INDIVIDUAL
UTILITIES BEFORE PROCEEDING WITH CONSTRUCTION.

VERTICAL DATUM: CGVD28 (HT2.0 Geoid)
HORIZONTAL DATUM: NAD83 (June 1990), Zone 14

NO.	ISSUED FOR TENDER	DATE	BY
0	ISSUED FOR TENDER	2026/04/21	SC

DESIGNED BY	MA	CHECKED BY	MA
DRAWN BY	JD	APPROVED BY	SC
SCALE:		RELEASED FOR CONSTRUCTION	
HORIZONTAL	1:250		
VERTICAL	1:50		
DATE	2026 04 20	DATE	

ENGINEER'S SEAL

CONSULTANT DRAWING NUMBER

THE CITY OF WINNIPEG
WATER AND WASTE DEPARTMENT
ENGINEERING DIVISION

2026 WATER MAIN RENEWALS
CONTRACT 3
BEAUMONT STREET
SOMERVILLE AVENUE TO
120 S OF SOMERVILLE AVENUE

SHEET 3 OF 11
CITY DRAWING NUMBER
D-17505

FILE PATH: R:\DRAWINGS\WATER\RENEWAL\2026 RENEWALS\Cont 3\Construction Dwg\ SOMERVILLE AVE & BEAUMONT ST.dwg
CONTRACT NUMBER: 3