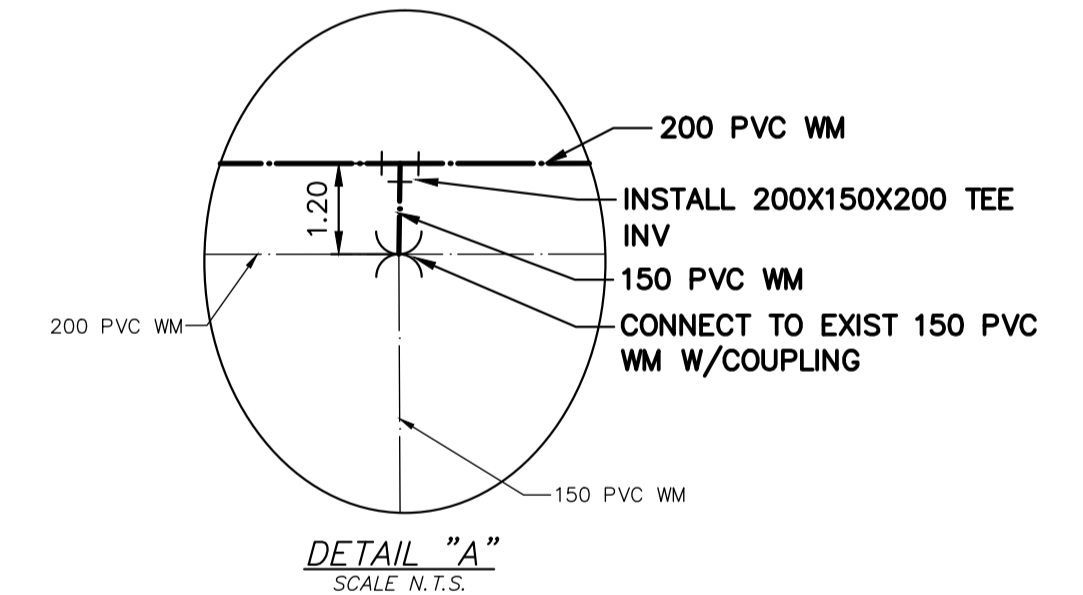
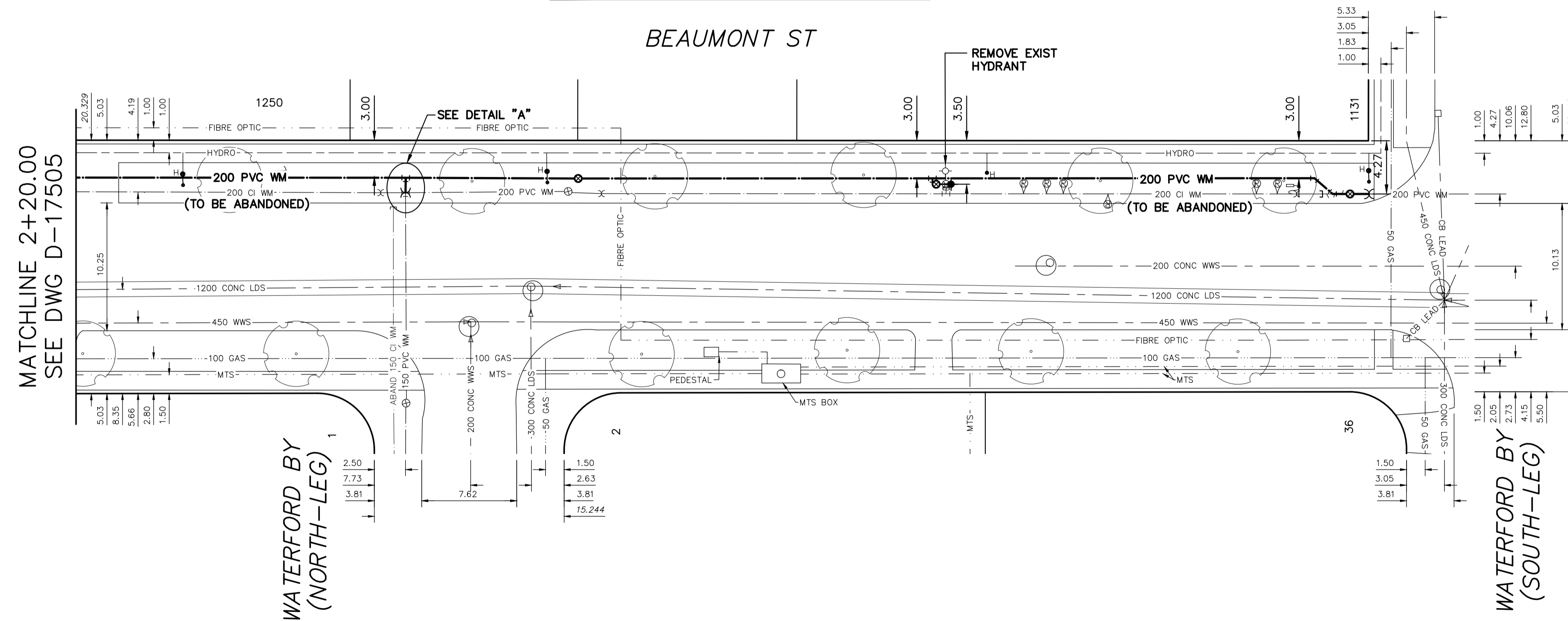
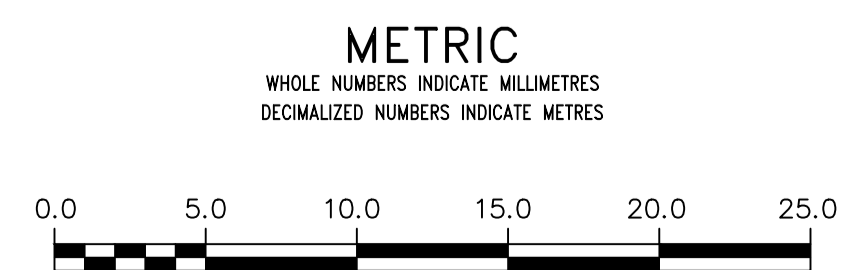


NOTE: CHAINAGES SHOWN ARE ALONG N. ℓ OF BEAUMONT ST



FOR INDEX SEE D-17504

NOTE: ALL VALVES TO BE INSTALLED CLOCKWISE TO CLOSE



WARNING
IF POWER EQUIPMENT OR EXPLOSIVES ARE TO BE USED FOR EXCAVATION ON THIS PROJECT THE CONTRACTOR MUST:
1) NOTIFY THE GAS COMPANY OF THE PROPOSED LOCATION OF EXCAVATION.
2) TAKE PRECAUTION TO AVOID DAMAGE TO GAS COMPANY INSTALLATIONS.
SEE PROVINCIAL REGULATION 210/72 FOR DETAILS

LOCATION APPROVED
UNDERGROUND STRUCTURES
SUPV. U/G STRUCTURES COMMITTEE DATE
NOTE:
LOCATION OF UNDERGROUND STRUCTURES AS SHOWN ARE BASED ON THE BEST INFORMATION AVAILABLE BUT NO GUARANTEE IS GIVEN THAT ALL EXISTING UTILITIES ARE SHOWN OR THAT THE GIVEN LOCATIONS ARE EXACT. CONFIRMATION OF EXISTENCE AND EXACT LOCATION OF ALL SERVICES MUST BE OBTAINED FROM THE INDIVIDUAL UTILITIES BEFORE PROCEEDING WITH CONSTRUCTION.

VERTICAL DATUM: CGVD28 (HT2.0 Geoid)	
HORIZONTAL DATUM: NAD83 (June 1990), Zone 14	
DESIGNED BY	MA
DRAWN BY	JD
SCALE:	
HORIZONTAL	1: 250
VERTICAL	1: 50
DATE	2026 04 20
NO.	REVISIONS
0	ISSUED FOR TENDER
	DATE
	BY
	DATE

ENGINEER'S SEAL	
CHECKED BY	MA
APPROVED BY	SC
RELEASED FOR CONSTRUCTION	
CONSULTANT DRAWING NUMBER	

ENGINEER'S SEAL
CONSULTANT DRAWING NUMBER

THE CITY OF WINNIPEG
WATER AND WASTE DEPARTMENT
ENGINEERING DIVISION

2026 WATER MAIN RENEWALS
CONTRACT 3
BEAUMONT STREET
120 S SOMERVILLE AVENUE TO
S LEG OF WATERFORD BAY

SHEET 4 OF 11
CITY DRAWING NUMBER
D-17506