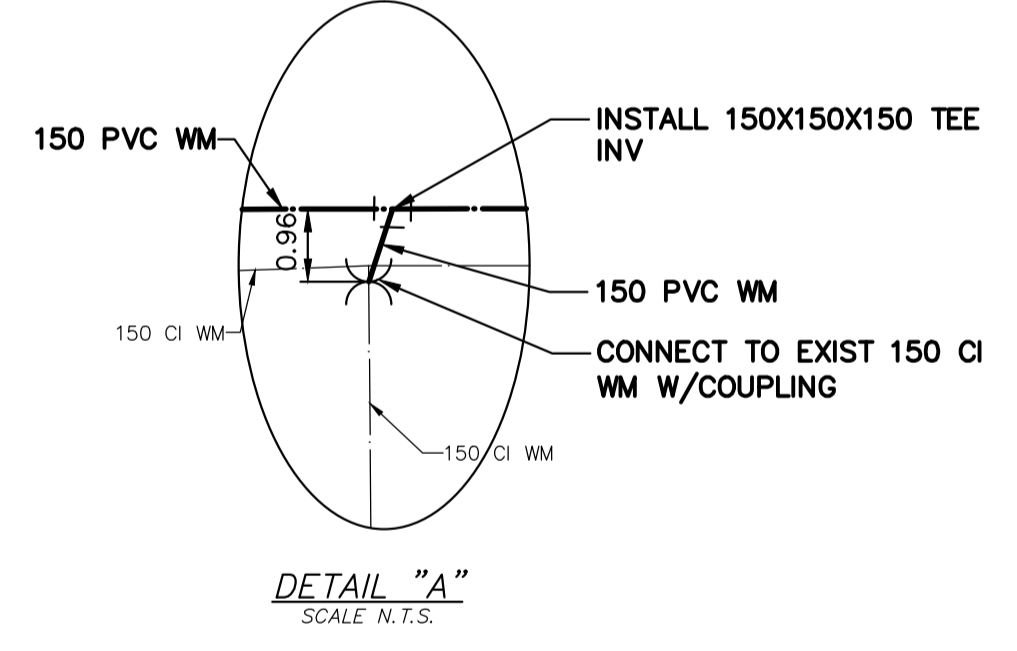
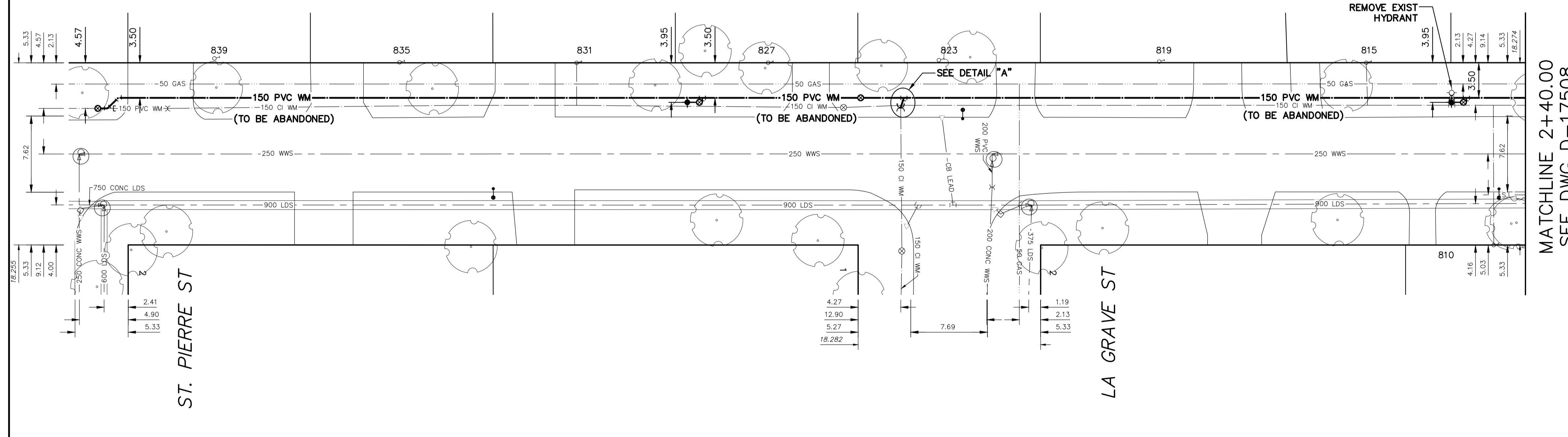


WATER SERVICE INFORMATION					
ADDRESS	SIZE (mm) MATERIAL (STREET)	SIZE (mm) MATERIAL (PROP.)	SHORT & LONG MEASUREMENT	CORP LOCATION	REMARKS
810 LEMAY AVE RESIDENTIAL	-	-	6.00 EWL HSE	OPP OF S/C	RECONNECT SERVICE
815 LEMAY AVE RESIDENTIAL	-	20	136.820 EEL ST. PIERRE ST	0.1 E OF S/C	RECONNECT SERVICE
819 LEMAY AVE RESIDENTIAL	-	-	7.60 EWL HSE	-	RECONNECT SERVICE
823 LEMAY AVE RESIDENTIAL	-	-	103.310 EEL ST. PIERRE ST	-	RECONNECT SERVICE
827 LEMAY AVE RESIDENTIAL	-	-	7.00 EWL HSE	-	RECONNECT SERVICE
831 LEMAY AVE RESIDENTIAL	-	20	81.230 EEL ST. PIERRE ST	-	RECONNECT SERVICE
835 LEMAY AVE RESIDENTIAL	-	-	5.05 EWL HSE	OPP OF S/C	RECONNECT SERVICE
839 LEMAY AVE RESIDENTIAL	-	-	44.940 EEL ST. PIERRE ST	-	RECONNECT SERVICE
	-	-	6.23 EWL HSE	-	RECONNECT SERVICE
	-	-	29.190 EEL ST. PIERRE ST	-	RECONNECT SERVICE
	-	-	6.28 EWL HSE	-	RECONNECT SERVICE
	-	-	8.650 EEL ST. PIERRE ST	-	RECONNECT SERVICE

\* SERVICES TO BE RENEWED TO P. ALL OTHERS TO BE RECONNECTED

NOTE: CHAINAGES SHOWN ARE ALONG N. P. OF LEMAY AVENUE

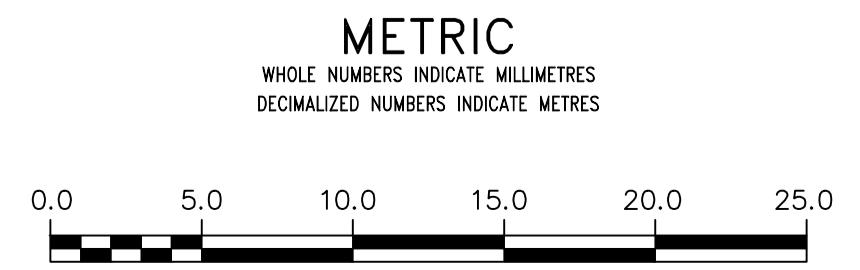
LEMAY AVENUE



MATCHLINE 2+40.00  
SEE DWG D-17508

FOR INDEX SEE D-17504

NOTE: ALL VALVES TO BE INSTALLED CLOCKWISE TO CLOSE



**WARNING**  
IF POWER EQUIPMENT OR EXPLOSIVES ARE TO BE USED FOR EXCAVATION ON THIS PROJECT THE CONTRACTOR MUST:  
1) NOTIFY THE GAS COMPANY OF THE PROPOSED LOCATION OF EXCAVATION.  
2) TAKE PRECAUTION TO AVOID DAMAGE TO GAS COMPANY INSTALLATIONS.  
SEE PROVINCIAL REGULATION 210/72 FOR DETAILS

**LOCATION APPROVED UNDERGROUND STRUCTURES**  
SUPV. U/G STRUCTURES COMMITTEE DATE  
NOTE:  
LOCATION OF UNDERGROUND STRUCTURES AS SHOWN ARE BASED ON THE BEST INFORMATION AVAILABLE BUT NO GUARANTEE IS GIVEN THAT ALL EXISTING UTILITIES ARE SHOWN OR THAT THE GIVEN LOCATIONS ARE EXACT. CONFIRMATION OF EXISTENCE AND EXACT LOCATION OF ALL UTILITIES MUST BE OBTAINED FROM THE INDIVIDUAL UTILITIES BEFORE PROCEEDING WITH CONSTRUCTION.

VERTICAL DATUM: CGVD28 (HT2.0 Geoid)			
HORIZONTAL DATUM: NAD83 (June 1990), Zone 14			
NO.	ISSUED FOR TENDER	DATE	BY
0	ISSUED FOR TENDER	2026/04/21	SC
NO.	REVISIONS	DATE	BY

DESIGNED BY	MA	CHECKED BY	MA
DRAWN BY	JD	APPROVED BY	SC
SCALE:	HORIZONTAL 1: 250 VERTICAL 1: 50		
DATE	2026 04 20	RELEASED FOR CONSTRUCTION	DATE

ENGINEER'S SEAL  
CONSULTANT DRAWING NUMBER

**THE CITY OF WINNIPEG**  
WATER AND WASTE DEPARTMENT  
ENGINEERING DIVISION

2026 WATER MAIN RENEWALS  
CONTRACT 3  
**LEMAY AVENUE**  
ST PIERRE STREET TO  
140 E OF ST PIERRE STREET

SHEET 5 OF 11  
CITY DRAWING NUMBER  
D-17507