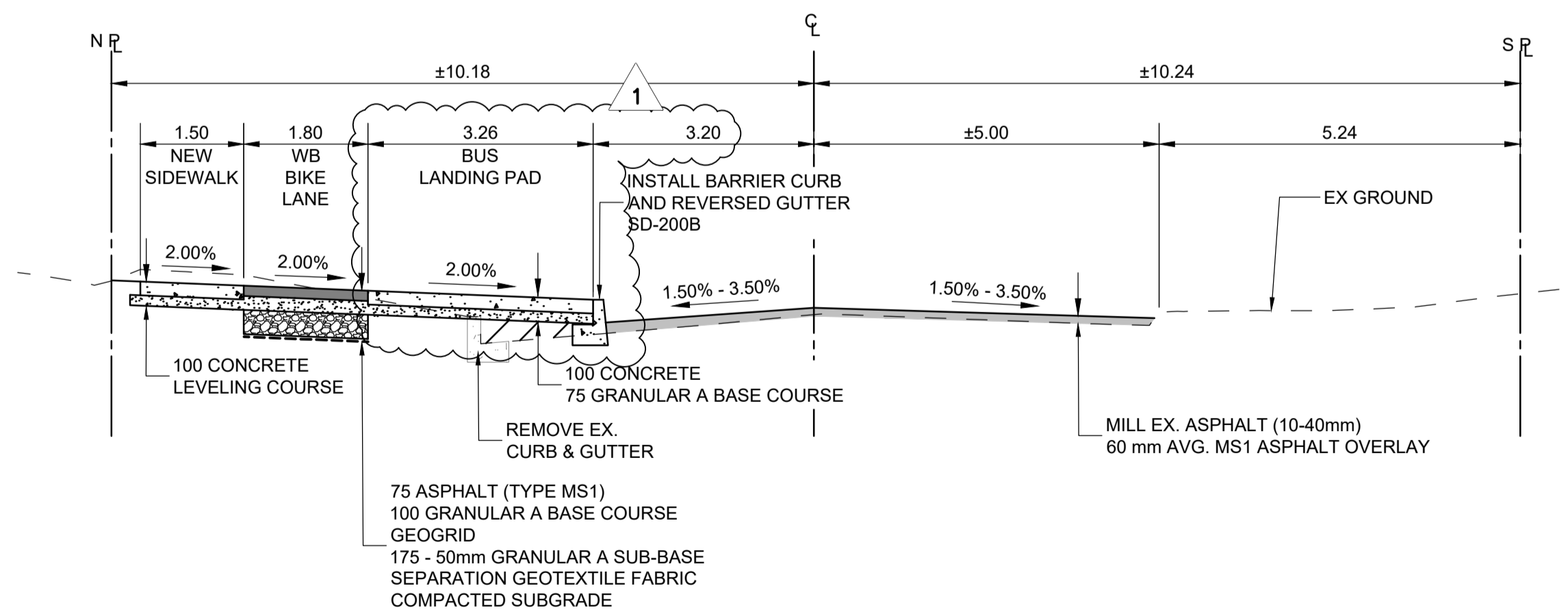
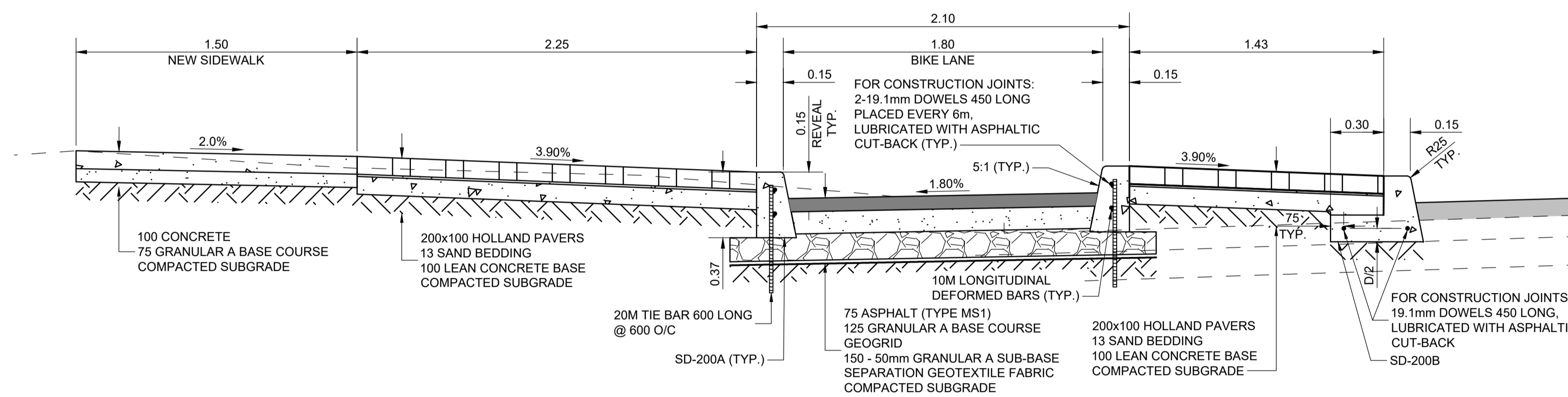


**1** BUFFERED BIKE LANE BUS STOP  
Scale 1:75



**METRIC**

WHOLE NUMBERS INDICATE MILLIMETRES  
DECIMALIZED NUMBERS INDICATE METRES

**ENGINEERS  
GEOSCIENTISTS  
MANITOBA**

Certificate of Authorization  
Tetra Tech Canada Inc.  
No. 6499

UNDERGROUND STRUCTURES  LOCATION OF UNDERGROUND STRUCTURES AS SHOWN ARE BASED ON THE BEST INFORMATION AVAILABLE, BUT NO GUARANTEE IS GIVEN THAT ALL EXISTING UTILITIES ARE SHOWN OR THAT THE GIVEN LOCATIONS ARE EXACT. CONFIRMATION OF EXISTENCE AND EXACT LOCATION OF ALL SERVICES MUST BE OBTAINED FROM THE INDIVIDUAL UTILITIES BEFORE PROCEEDING WITH CONSTRUCTION.	B.M. ELEV.		ORIGINAL DRAWING REVISION " 0 " SEALED BY J.N. CRANG 26.03.17	THE CITY OF WINNIPEG PUBLIC WORKS DEPARTMENT	CITY DRAWING NUMBER P-3599-24
	DESIGNED BY: CF				
	DRAWN BY: DD	APPROVED BY: JNC	CONSULTANT DRAWING NO. 704-INF.MB103048-01-DWG-C024	STANDARD DETAILS SHEET 1 OF 2	C024
	SCALE: AS SHOWN	RELEASED FOR CONSTRUCTION	STREETS PROJECT ENGINEER		
1 ISSUED FOR ADDENDUM 1	26.03.27	JNC			
0 ISSUED FOR TENDER	26.03.17	JNC			
NO. REVISIONS	DATE	BY	DATE	DATE	