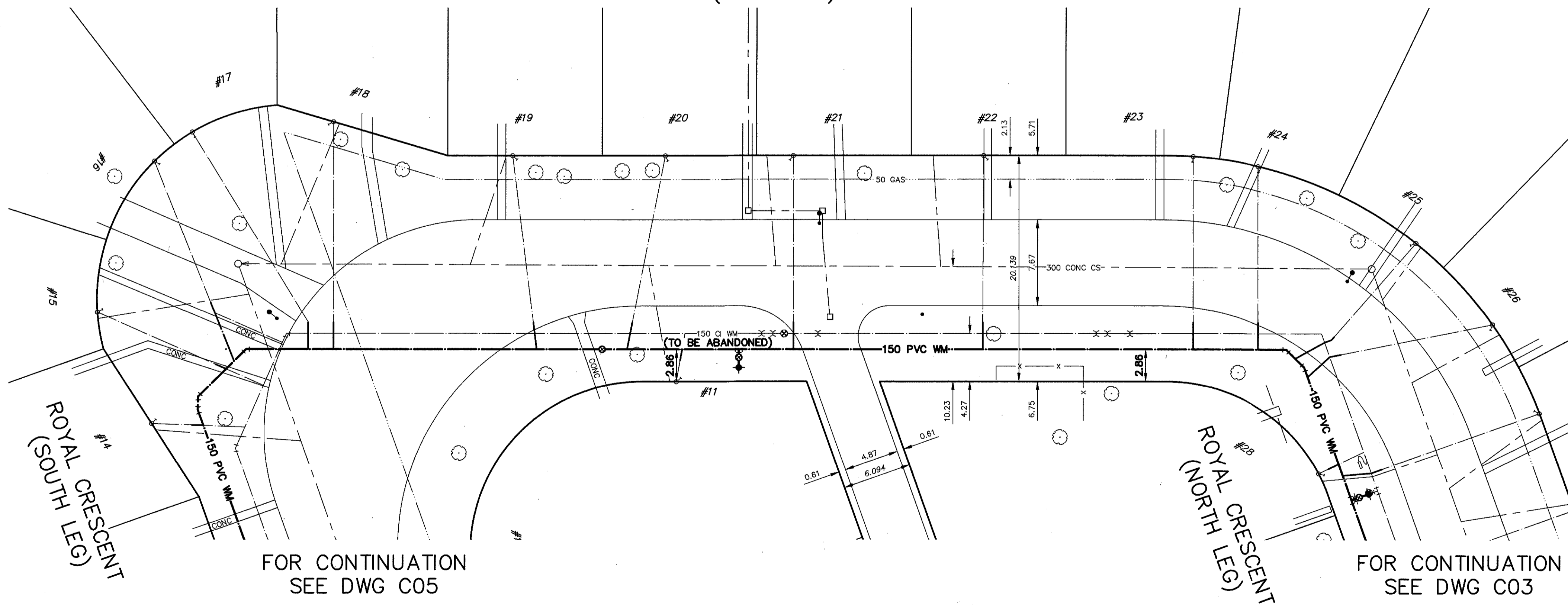


NOTE: CHAINAGES SHOWN ALONG E R OF ROYAL CRESCENT (W LEG)

WATER SERVICE INFORMATION

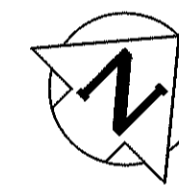
ADDRESS	SIZE (mm) MATERIAL (STREET)	SIZE (mm) MATERIAL (PROP)	SHORT & LONG MEASUREMENT	CORP. LOCATION	REMARKS
11 ROYAL CR RESIDENTIAL	20 CU	UNKNOWN	3.05 SNL OF HSE	0.76 N OF S/C	RECONNECT SERVICE
16 ROYAL CR RESIDENTIAL	UNKNOWN	UNKNOWN	6.61 ENL OF HOUSE	UNKNOWN	RECONNECT SERVICE
17 ROYAL CR RESIDENTIAL	UNKNOWN	UNKNOWN	125.88 WM. OF MCGREGOR	UNKNOWN	RECONNECT SERVICE
18 ROYAL CR RESIDENTIAL	UNKNOWN	UNKNOWN	4.11 NSL OF HOUSE	UNKNOWN	RECONNECT SERVICE
19 ROYAL CR RESIDENTIAL	20 CU	UNKNOWN	2.74 NSL OF HSE	UNKNOWN	RECONNECT SERVICE
20 ROYAL CR RESIDENTIAL	20 CU	UNKNOWN	4.05 NSL OF HOUSE	1.83 N OF S/C	RECONNECT SERVICE
21 ROYAL CR RESIDENTIAL	20 CU	UNKNOWN	4.02 NSL OF HOUSE	3.05 S OF S/C	RECONNECT SERVICE
22 ROYAL CR RESIDENTIAL	20 CU	UNKNOWN	1.58 NSL OF HSE	UNKNOWN	RECONNECT SERVICE
23 ROYAL CR RESIDENTIAL	20 CU	UNKNOWN	4.66 NSL OF HOUSE	0.15 S OF S/C	RECONNECT SERVICE
24 ROYAL CR RESIDENTIAL	UNKNOWN	UNKNOWN	6.25 SNL OF HOUSE	UNKNOWN	RECONNECT SERVICE

ROYAL CRESCENT (WEST LEG)



FOR CONTINUATION SEE DWG C05

FOR CONTINUATION SEE DWG C03



ENGINEERS GEOSCIENTISTS MANITOBA
 Certificate of Authorization
 KGS Group
 No. 245

METRIC
 WHOLE NUMBERS INDICATE MILLIMETRES
 DECIMALIZED NUMBERS INDICATE METRES

FOR INDEX PAGE SEE D-17449

0.0 5.0 10.0 15.0 20.0 25.0
 SCALE 1:250 (A1)

WARNING
 IF POWER EQUIPMENT OR EXPLOSIVES ARE TO BE USED FOR EXCAVATION ON THIS PROJECT THE CONTRACTOR MUST:
 1) NOTIFY THE GAS COMPANY OF THE PROPOSED LOCATION OF EXCAVATION.
 2) TAKE PRECAUTION TO AVOID DAMAGE TO GAS COMPANY INSTALLATIONS.
 SEE PROVINCIAL REGULATION 210/72 FOR DETAILS

LOCATION APPROVED UNDERGROUND STRUCTURES
 SUPV. U/G STRUCTURES COMMITTEE DATE
 NOTE:
 LOCATION OF UNDERGROUND STRUCTURES AS SHOWN ARE BASED ON THE BEST INFORMATION AVAILABLE BUT NO GUARANTEE IS GIVEN THAT ALL EXISTING UTILITIES ARE SHOWN OR THAT THE GIVEN LOCATIONS ARE EXACT. CONFIRMATION OF EXISTENCE AND EXACT LOCATION OF ALL SERVICES MUST BE OBTAINED FROM THE INDIVIDUAL UTILITIES BEFORE PROCEEDING WITH CONSTRUCTION.

VERTICAL DATUM: CGVD28 (HT2.0 Geoid)
 HORIZONTAL DATUM: NAD83 (June 1990), Zone 14

NO.	REVISIONS	DATE (YYYY/MM/DD)	BY
0	ISSUED FOR TENDER	2026/04/17	TLR

KGS GROUP

DESIGNED BY	JOM	CHECKED BY	SLF
DRAWN BY	GEL	APPROVED BY	TLR
SCALE:		RELEASED FOR CONSTRUCTION	
HORIZONTAL:	1:250		
VERTICAL:	1:50		

DATE: _____

ENGINEER'S SEAL

CONSULTANT DRAWING NUMBER
C04

THE CITY OF WINNIPEG
 WATER AND WASTE DEPARTMENT
 ENGINEERING SERVICES DIVISION

2026 WATER MAIN RENEWALS
 CONTRACT 7
ROYAL CRESCENT (WEST LEG)
 TO ROYAL CRESCENT (SOUTH LEG)
 TO ROYAL CRESCENT (NORTH LEG)

SHEET 4 OF 17
 CITY DRAWING NUMBER
D-17451