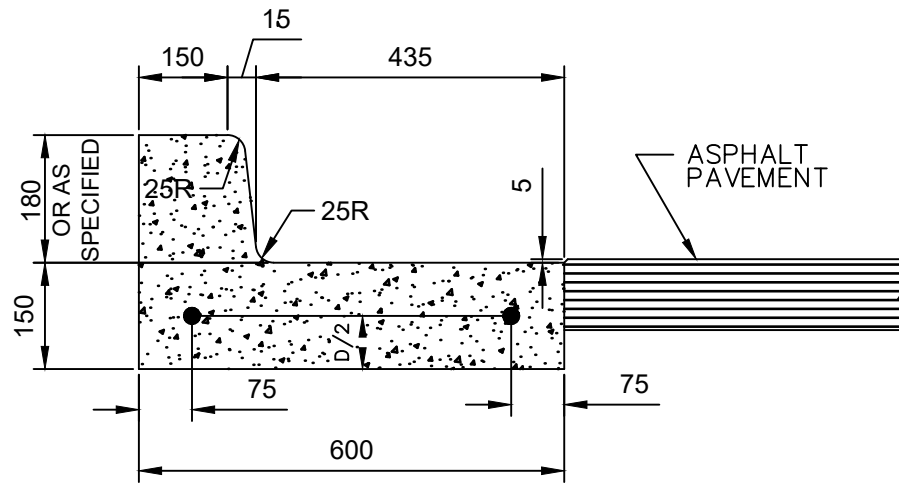


CURB AND GUTTER FOR CONCRETE PAVEMENTS



CURB AND GUTTER FOR ASPHALT PAVEMENTS

- NOTE: 1. REDUCE CURB HEIGHT TO 40. APPLICABLE FOR PRIVATE APPROACHES ON LOCAL RESIDENTIAL STREETS. REF SD-202B
2. TRANSVERSE SAW CUT EVERY 3000 OR AT PAVEMENT JOINTS.

3. THIS DETAIL SHALL ONLY BE USED FOR REPAIRS OF EXISTING CURB AND GUTTER OR AS DIRECTED BY THE CONTRACT ADMINISTRATOR.

DIMENSIONS IN MILLIMETRES



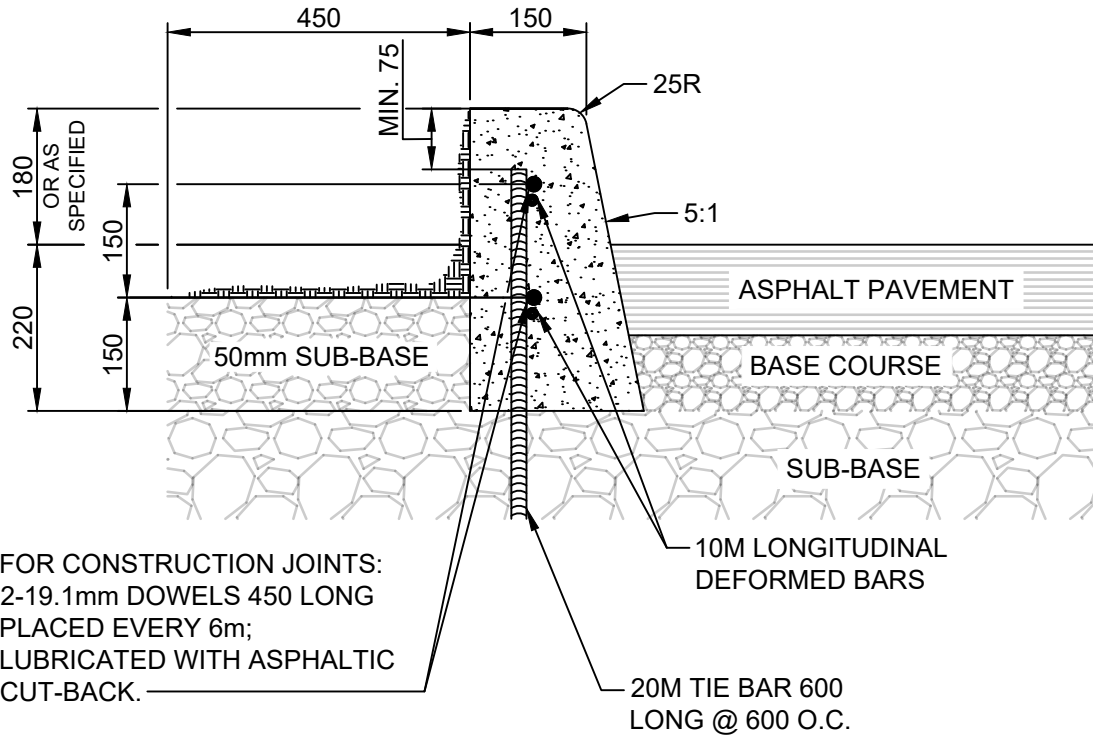
THE CITY OF WINNIPEG
PUBLIC WORKS DEPARTMENT

Reference Spec. No.
CW 3325

Revisions			
No.	Date	Description	By
1.	OCT 24	ADDED NOTE 3	R.B.

CURB AND GUTTER

Designed By: B.P.	Drawn By: R.B.	Scale : N.T.S.
Checked By: D.R.K.	Date: 2008-12-15	Drawing No. SD-200
Approved: PAVEMENT MANAGEMENT BRANCH		



NOTES:

1. TRANSVERSE SAW CUT EVERY 3m OR AT PAVEMENT JOINTS
2. TRANSVERSE SAW CUTS ARE TO BE A MAXIMUM DEPTH OF 25mm
3. FACE OF CURB SHALL BE SEALED IN ACCORDANCE WITH CW 3250

DIMENSIONS IN MILLIMETRES



THE CITY OF WINNIPEG
PUBLIC WORKS DEPARTMENT

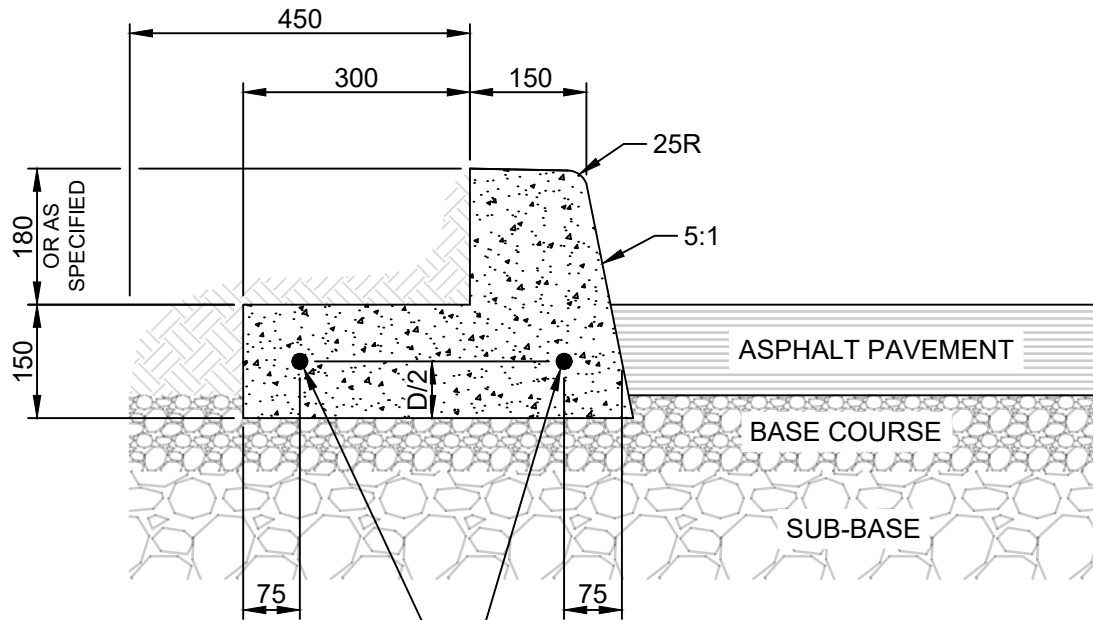
Reference Spec. No.
CW 3325

Revisions

No.	Date	Description	By

**BARRIER CURB FOR
ASPHALT PAVEMENT**

Designed By: A.G.	Drawn By: R.B.	Scale : N.T.S
Checked By: B.K.	Date: 2025-12-15	Drawing No.
Approved: PAVEMENT MANAGEMENT BRANCH		SD-200A



FOR CONSTRUCTION JOINTS:
 19.1mm DOWELS 450 LONG;
 LUBRICATED WITH ASPHALTIC
 CUT-BACK.

NOTES:

1. TRANSVERSE SAW CUT EVERY 3m OR AT PAVEMENT JOINTS
2. TRANSVERSE SAW CUTS ARE TO BE A MAXIMUM DEPTH OF 25mm
3. FACE OF CURB SHALL BE SEALED IN ACCORDANCE WITH CW 3250

DIMENSIONS IN MILLIMETRES



THE CITY OF WINNIPEG
 PUBLIC WORKS DEPARTMENT

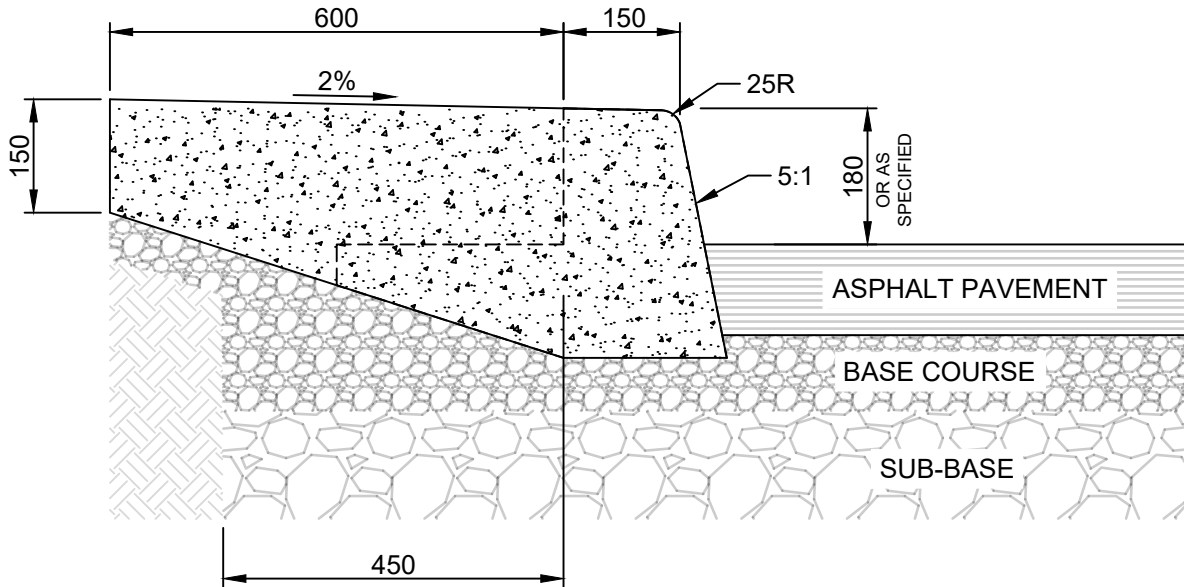
Reference Spec. No.
 CW 3325

Revisions

No.	Date	Description	By

**BARRIER CURB AND
 REVERSED GUTTER FOR
 ASPHALT PAVEMENT**

Designed By: A.G.	Drawn By: T.K.	Scale : N.T.S
Checked By: B.K.	Date: 2025-12-15	Drawing No.
Approved: PAVEMENT MANAGEMENT BRANCH		SD-200B



NOTES:

1. TRANSVERSE SAW CUT EVERY 3m OR AT PAVEMENT JOINTS
2. TRANSVERSE SAW CUTS ARE TO BE A MAXIMUM DEPTH OF 25mm
3. FOR CONSTRUCTION JOINTS INSTALL TWO 19.1mm DOWELS 450 LONG; LUBRICATED WITH ASPHALTIC CUT-BACK. REF SD-200B.
4. FACE OF CURB SHALL BE SEALED IN ACCORDANCE WITH CW 3250

DIMENSIONS IN MILLIMETRES



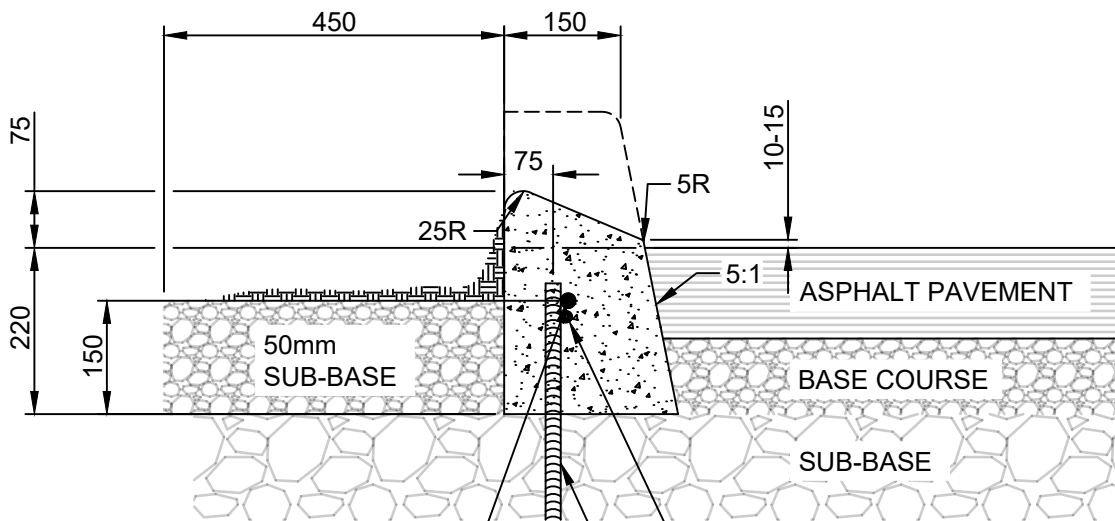
THE CITY OF WINNIPEG
PUBLIC WORKS DEPARTMENT

Reference Spec. No.
CW 3325

Revisions			
No.	Date	Description	By

**BARRIER CURB WITH
INTEGRAL SPLASH STRIP
FOR ASPHALT PAVEMENT**

Designed By: A.G.	Drawn By: T.K.	Scale : N.T.S
Checked By: B.K.	Date: 2025-12-15	Drawing No.
Approved: PAVEMENT MANAGEMENT BRANCH		SD-200C



FOR CONSTRUCTION JOINTS:
 2-19.1mm DOWELS 450 LONG
 PLACED EVERY 6m;
 LUBRICATED WITH ASPHALTIC
 CUT-BACK.

10M LONGITUDINAL
 DEFORMED BARS

20M TIE BAR 600
 LONG @ 600 O.C.

NOTES:

1. TRANSVERSE SAW CUT EVERY 3m OR AT PAVEMENT JOINTS
2. TRANSVERSE SAW CUTS ARE TO BE A MAXIMUM DEPTH OF 25mm
3. FACE OF CURB SHALL BE SEALED IN ACCORDANCE WITH CW 3250

DIMENSIONS IN MILLIMETRES



THE CITY OF WINNIPEG
 PUBLIC WORKS DEPARTMENT

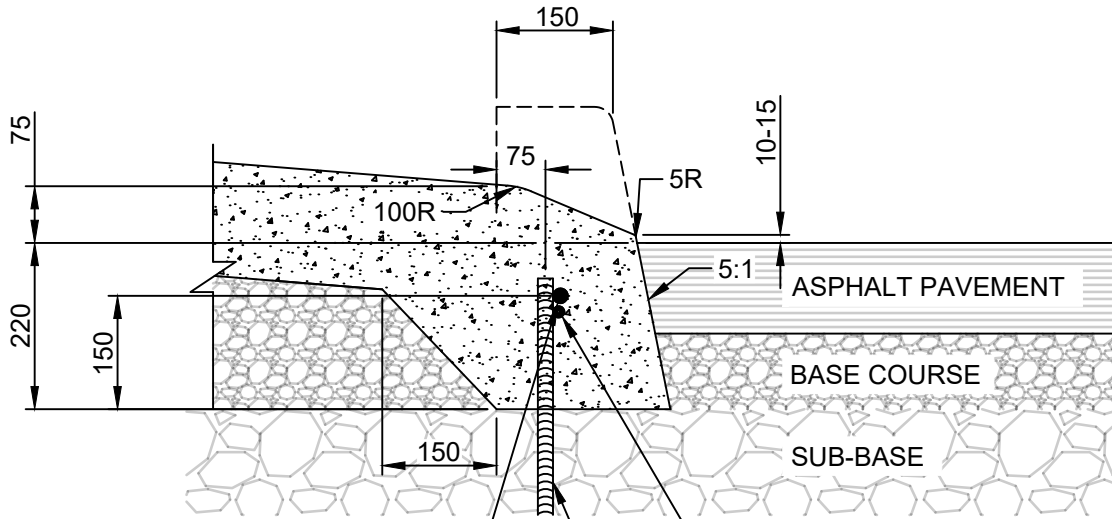
Reference Spec. No.
 CW 3325

Revisions

No.	Date	Description	By

75 mm LIP CURB FOR
 ASPHALT PAVEMENT

Designed By: A.G.	Drawn By: R.B.	Scale : N.T.S
Checked By: B.K.	Date: 2025-12-15	Drawing No. SD-202D
Approved: PAVEMENT MANAGEMENT BRANCH		



FOR CONSTRUCTION JOINTS:
 2-19.1mm DOWELS 450 LONG
 PLACED EVERY 6m;
 LUBRICATED WITH ASPHALTIC
 CUT-BACK.

10M LONGITUDINAL
 DEFORMED BARS

20M TIE BAR 600
 LONG @ 600 O.C.

NOTES:

1. TRANSVERSE SAW CUT EVERY 3m OR AT PAVEMENT JOINTS
2. TRANSVERSE SAW CUTS ARE TO BE A MAXIMUM DEPTH OF 25mm
3. FACE OF CURB SHALL BE SEALED IN ACCORDANCE WITH CW 3250

DIMENSIONS IN MILLIMETRES



THE CITY OF WINNIPEG
 PUBLIC WORKS DEPARTMENT

Reference Spec. No.
 CW 3325

Revisions

No.	Date	Description	By

75 mm LIP CURB WITH
 INTEGRAL APPROACH
 FOR ASPHALT PAVEMENT

Designed By:
 A.G.

Drawn By:
 R.B.

Scale :
 N.T.S

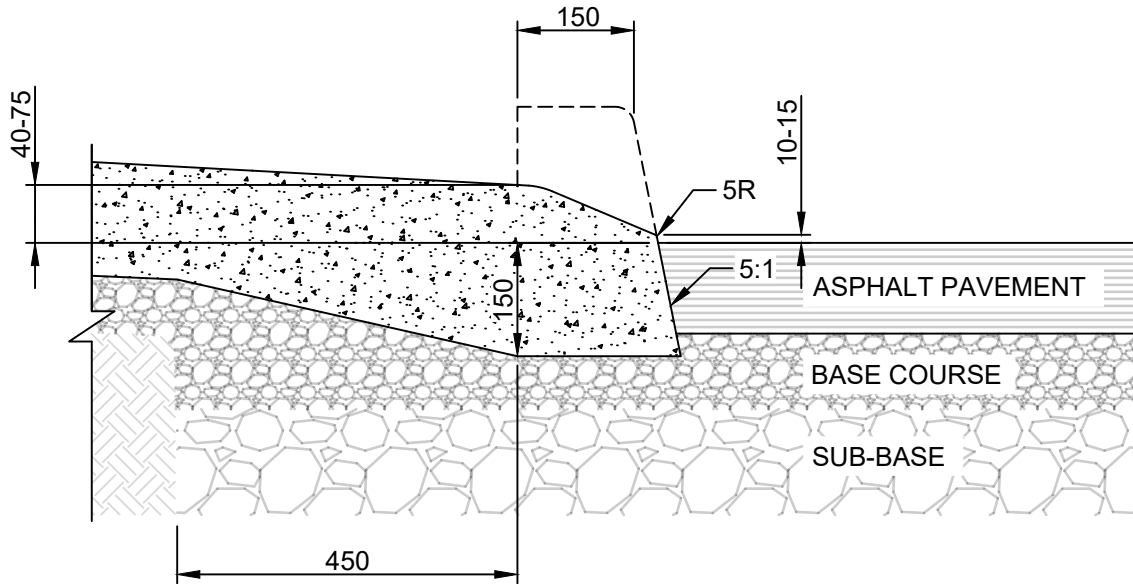
Checked By:
 B.K.

Date:
 2025-12-15

Drawing No.

Approved:
 PAVEMENT MANAGEMENT BRANCH

SD-202E



NOTES:

1. TRANSVERSE SAW CUT EVERY 3m OR AT PAVEMENT JOINTS
2. TRANSVERSE SAW CUTS ARE TO BE A MAXIMUM DEPTH OF 25mm
3. FOR CONSTRUCTION JOINTS INSTALL TWO 19.1mm DOWELS 450 LONG; LUBRICATED WITH ASPHALTIC CUT-BACK. REF SD-200B.
4. FACE OF CURB SHALL BE SEALED IN ACCORDANCE WITH CW 3250

DIMENSIONS IN MILLIMETRES



THE CITY OF WINNIPEG
PUBLIC WORKS DEPARTMENT

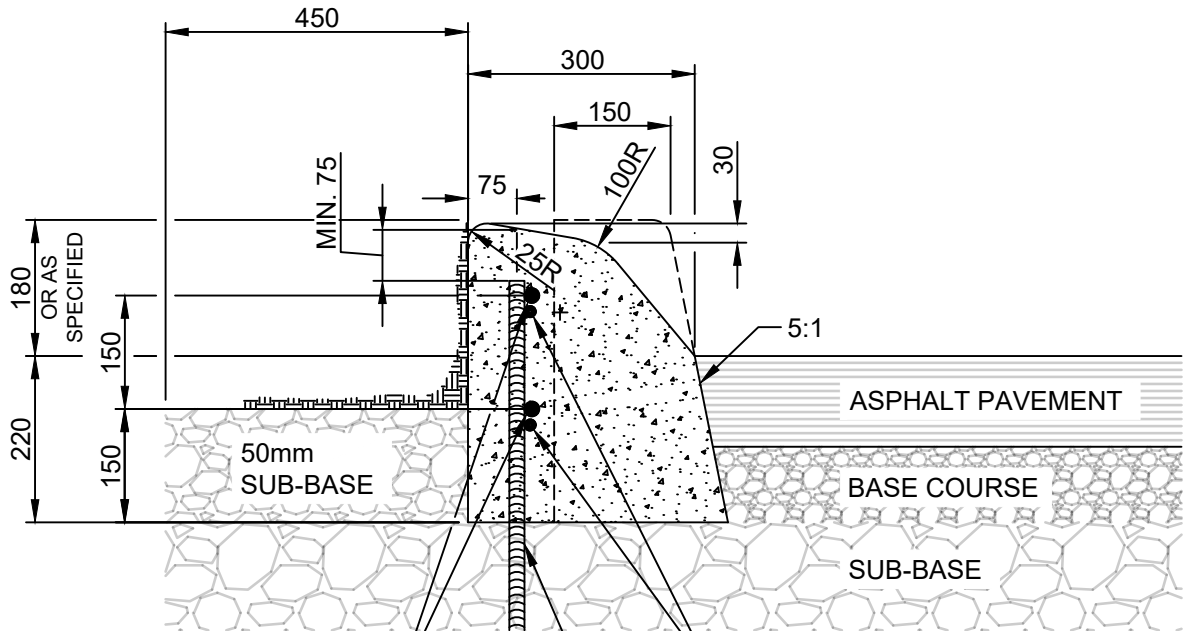
Reference Spec. No.
CW 3325

Revisions

No.	Date	Description	By

LIP CURB WITH
INTEGRAL APPROACH
FOR ASPHALT PAVEMENT

Designed By: A.G.	Drawn By: T.K.	Scale : N.T.S
Checked By: B.K.	Date: 2025-12-15	Drawing No.
Approved: PAVEMENT MANAGEMENT BRANCH		SD-202F



FOR CONSTRUCTION JOINTS:
 2-19.1mm DOWELS 450 LONG
 PLACED EVERY 6m;
 LUBRICATED WITH ASPHALTIC
 CUT-BACK.

10M LONGITUDINAL
 DEFORMED BARS

20M TIE BAR 600
 LONG @ 600 O.C.

NOTES:

1. TRANSVERSE SAW CUT EVERY 3m OR AT PAVEMENT JOINTS
2. TRANSVERSE SAW CUTS ARE TO BE A MAXIMUM DEPTH OF 25mm
3. FACE OF CURB SHALL BE SEALED IN ACCORDANCE WITH CW 3250

DIMENSIONS IN MILLIMETRES



THE CITY OF WINNIPEG
 PUBLIC WORKS DEPARTMENT

Reference Spec. No.
 CW 3325

Revisions

No.	Date	Description	By

**MODIFIED BARRIER
 CURB FOR ASPHALT
 PAVEMENT**

Designed By:
 A.G.

Drawn By:
 R.B.

Scale :
 N.T.S

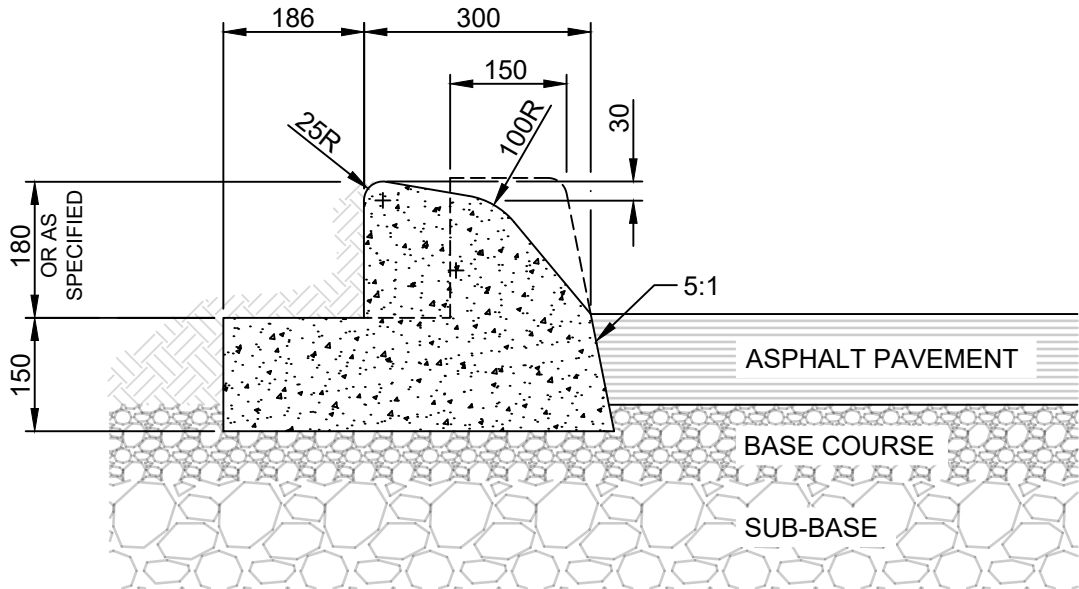
Checked By:
 B.K.

Date:
 2025-12-15

Drawing No.

Approved:
 PAVEMENT MANAGEMENT BRANCH

SD-203C



NOTES:

1. TRANSVERSE SAW CUT EVERY 3m OR AT PAVEMENT JOINTS
2. TRANSVERSE SAW CUTS ARE TO BE A MAXIMUM DEPTH OF 25mm
3. FOR CONSTRUCTION JOINTS INSTALL TWO 19.1mm DOWELS 450 LONG; LUBRICATED WITH ASPHALTIC CUT-BACK. REF SD-200B.
4. FACE OF CURB SHALL BE SEALED IN ACCORDANCE WITH CW 3250

DIMENSIONS IN MILLIMETRES



THE CITY OF WINNIPEG
PUBLIC WORKS DEPARTMENT

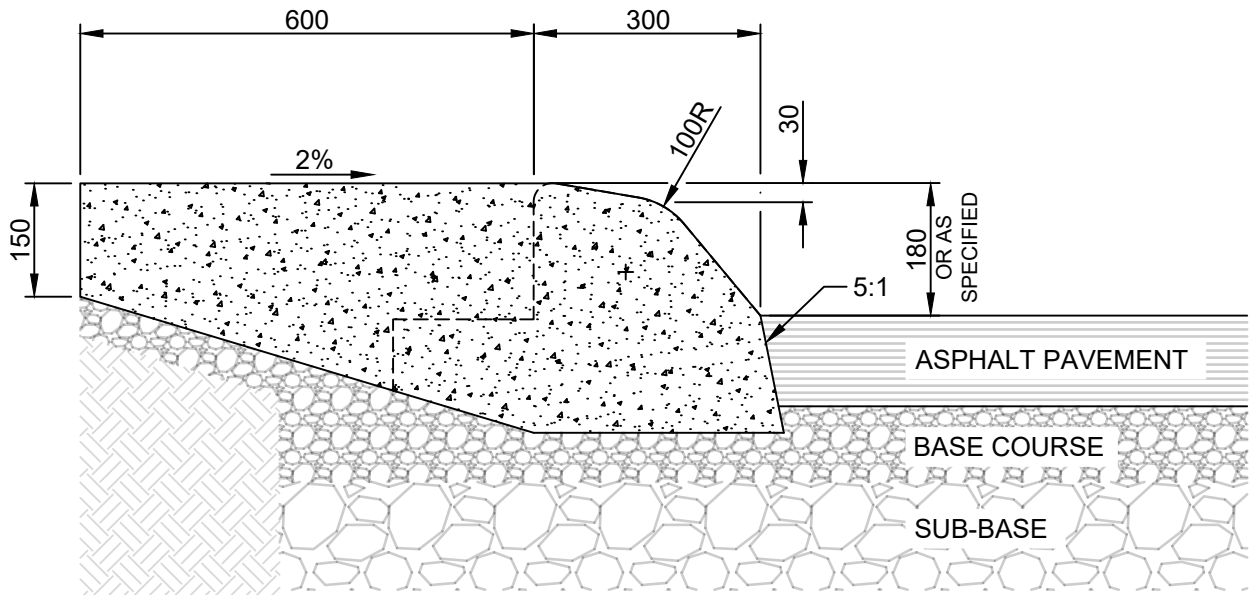
Reference Spec. No.
CW 3325

Revisions

No.	Date	Description	By

**MODIFIED BARRIER CURB
WITH REVERSED GUTTER
FOR ASPHALT PAVEMENT**

Designed By: A.G.	Drawn By: T.K.	Scale : N.T.S
Checked By: B.K.	Date: 2025-12-15	Drawing No.
Approved: PAVEMENT MANAGEMENT BRANCH		SD-203D



NOTES:

1. TRANSVERSE SAW CUT EVERY 3m OR AT PAVEMENT JOINTS
2. TRANSVERSE SAW CUTS ARE TO BE A MAXIMUM DEPTH OF 25mm
3. FOR CONSTRUCTION JOINTS INSTALL TWO 19.1mm DOWELS 450 LONG; LUBRICATED WITH ASPHALTIC CUT-BACK. REF SD-200B.
4. FACE OF CURB SHALL BE SEALED IN ACCORDANCE WITH CW 3250

DIMENSIONS IN MILLIMETRES



THE CITY OF WINNIPEG
PUBLIC WORKS DEPARTMENT

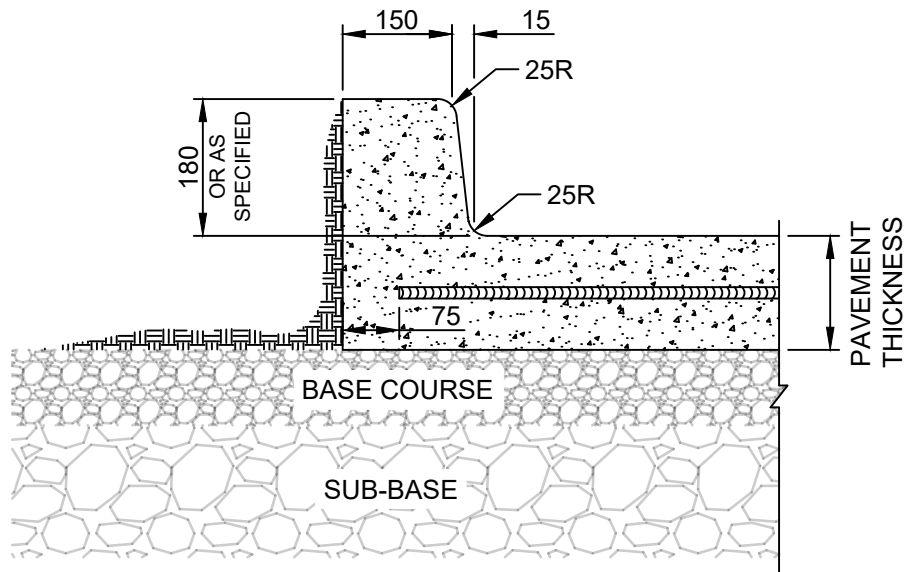
Reference Spec. No.
CW 3325

Revisions

No.	Date	Description	By

MODIFIED BARRIER CURB WITH INTEGRAL SPLASH STRIP FOR ASPHALT PAVEMENT

Designed By: A.G.	Drawn By: T.K.	Scale : N.T.S
Checked By: B.K.	Date: 2025-12-15	Drawing No. SD-203E
Approved: PAVEMENT MANAGEMENT BRANCH		



DIMENSIONS IN MILLIMETRES



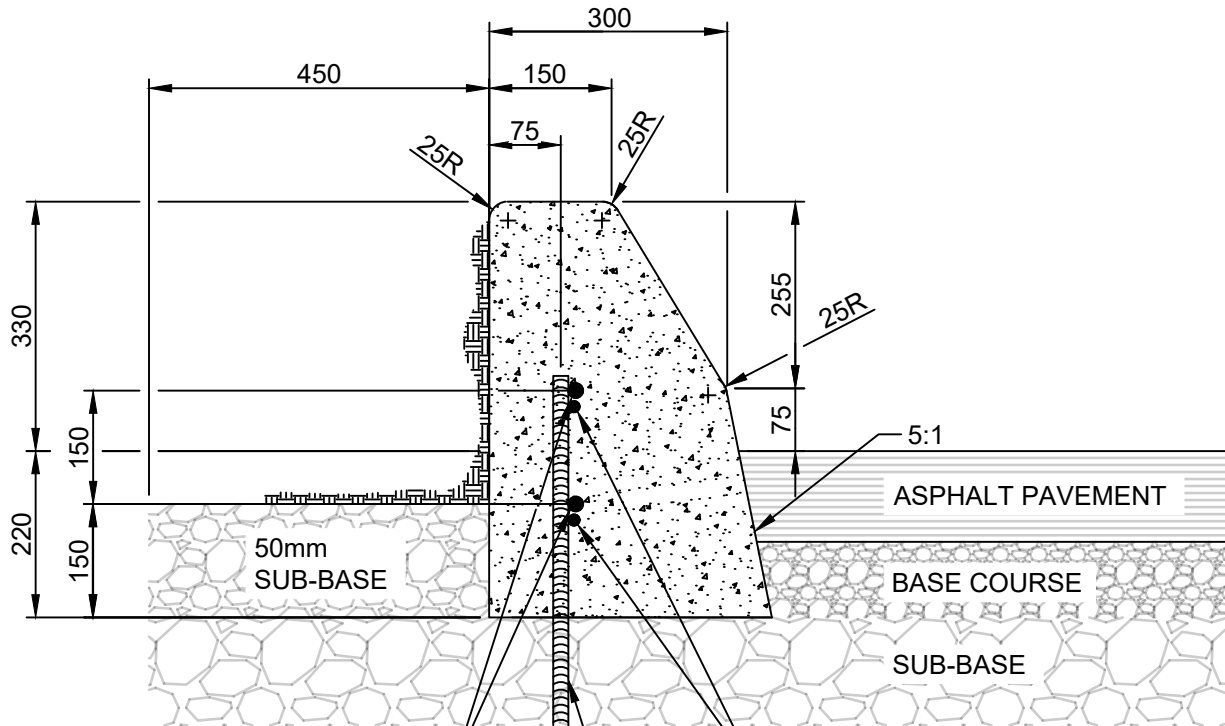
THE CITY OF WINNIPEG
PUBLIC WORKS DEPARTMENT

Reference Spec. No.
CW 3230, CW 3310

Revisions			
No.	Date	Description	By
1.	JAN 26	GENERAL REVISION	A.G.

BARRIER CURB
INTEGRAL

Designed By: L.S.W.L.	Drawn By: T.K.	Scale : N.T.S
Checked By: L.S.W.L.	Date: 1981-02-16	Drawing No.
Approved: PAVEMENT MANAGEMENT BRANCH		SD-204



FOR CONSTRUCTION JOINTS:
 2-19.1mm DOWELS 450 LONG
 PLACED EVERY 6m;
 LUBRICATED WITH ASPHALTIC
 CUT-BACK.

10M LONGITUDINAL
 DEFORMED BARS

20M TIE BAR 600
 LONG @ 600 O.C.

NOTES:

1. TRANSVERSE SAW CUT EVERY 3m OR AT PAVEMENT JOINTS
2. TRANSVERSE SAW CUTS ARE TO BE A MAXIMUM DEPTH OF 25mm
3. FACE OF CURB SHALL BE SEALED IN ACCORDANCE WITH CW 3250

DIMENSIONS IN MILLIMETRES



THE CITY OF WINNIPEG
 PUBLIC WORKS DEPARTMENT

Reference Spec. No.
 CW 3325

Revisions

No.	Date	Description	By

**SAFETY CURB FOR
 ASPHALT PAVEMENT**

Designed By:
 A.G.

Drawn By:
 R.B.

Scale :
 N.T.S

Checked By:
 B.K.

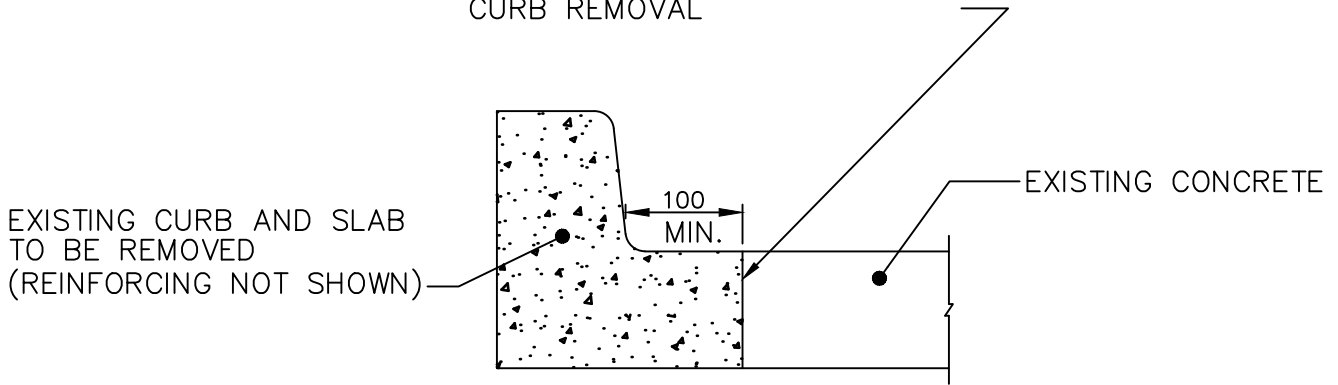
Date:
 2025-12-15

Drawing No.

Approved:
 PAVEMENT MANAGEMENT BRANCH

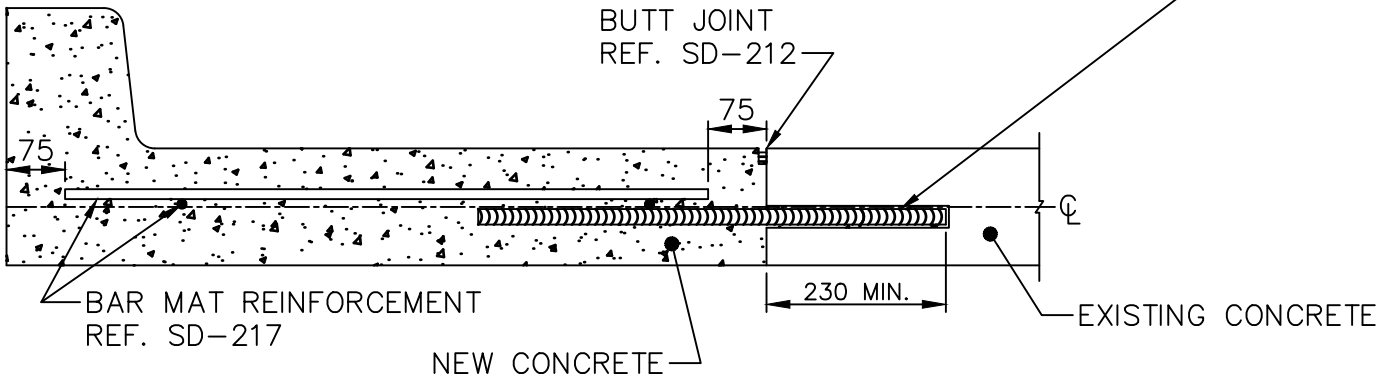
SD-206C

SAWCUT FULL-DEPTH PRIOR TO
AND FOR THE FULL LENGTH OF
CURB REMOVAL



PAVEMENT REMOVAL FOR BARRIER CURB

600 LONG TIE BARS:
15M @ 600 O.C. FOR PAVEMENTS D<200
20M @ 600 O.C. FOR PAVEMENTS D=200
25M @ 600 O.C. FOR PAVEMENTS D>200



PAVEMENT WIDENING

NOTE:
TRANSVERSE SAWCUT TYP. 4.0-5.0m
OR AT PAVEMENT JOINTS.

DIMENSIONS IN MILLIMETRES

 **THE CITY OF WINNIPEG**
PUBLIC WORKS DEPARTMENT

Reference Spec. No.
CW 3230, CW 3310

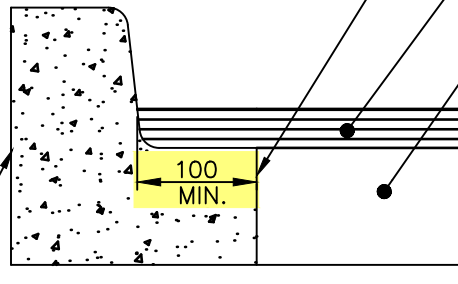
Revisions			
No.	Date	Description	By
2.	OCT 24	TIE BAR SIZE AND TRANSVERSE CUTS	A.G.
1.	JAN 03	GENERAL REVISION	L.W.B.

CONCRETE PAVEMENT WIDENING

Designed By: L.S.W.L.	Drawn By: R.B.	Scale : N.T.S.
Checked By: D.R.K.	Date: 2025-12-15	Drawing No. SD-207
Approved: PAVEMENT MANAGEMENT BRANCH		

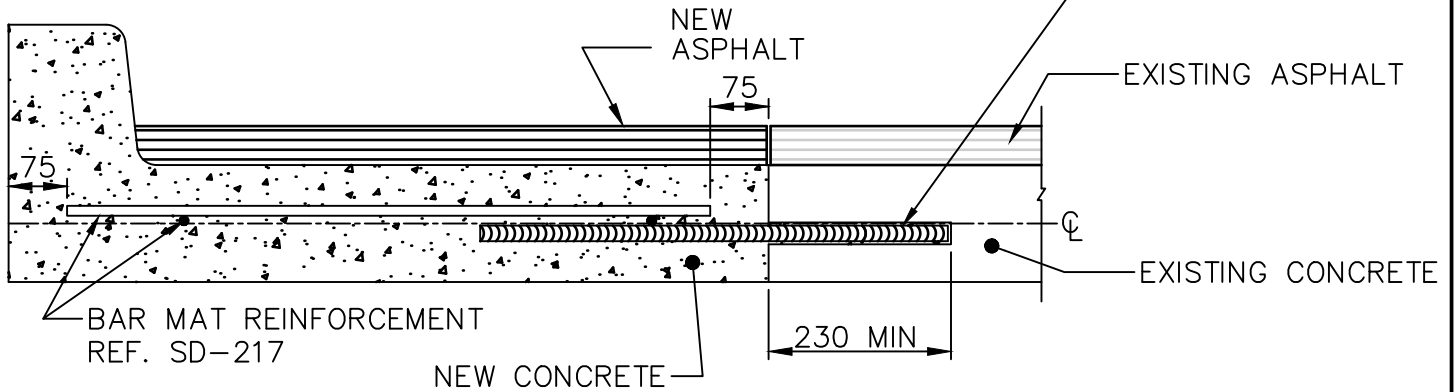
SAWCUT FULL-DEPTH PRIOR TO AND FOR THE FULL LENGTH OF CURB REMOVAL

EXISTING CURB, SLAB AND ASPHALT TO BE REMOVED (REINFORCING NOT SHOWN)



PAVEMENT REMOVAL

600 LONG TIE BARS:
 15M @ 600 O.C. FOR PAVEMENTS D<200
 20M @ 600 O.C. FOR PAVEMENTS D=200
 25M @ 600 O.C. FOR PAVEMENTS D>200



PAVEMENT WIDENING

NOTE:
 TRANSVERSE SAWCUT TYP. 4.0-5.0m
 OR AT PAVEMENT JOINTS.

DIMENSIONS IN MILLIMETRES



THE CITY OF WINNIPEG
 PUBLIC WORKS DEPARTMENT

Reference Spec. No.
 CW 3230, CW 3310

Revisions

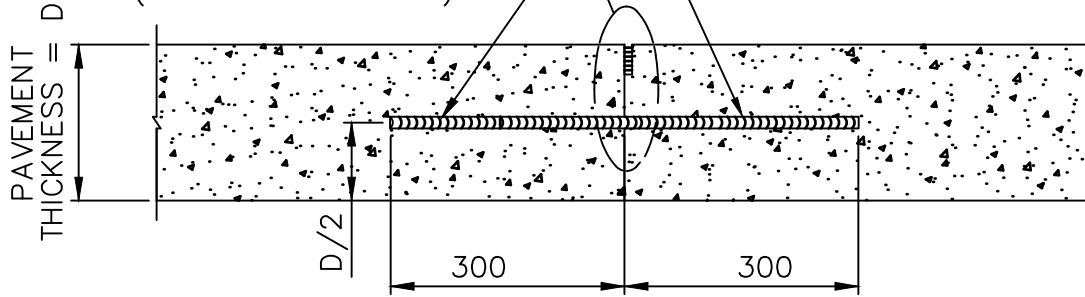
No.	Date	Description	By
2.	MAY 25	TIE BAR SIZE AND TRANSVERSE SAWCUT	R.B.
1.	JAN 03	GENERAL REVISION	L.W.B.

PAVEMENT WIDENING
 (CONCRETE PAVEMENT WITH
 ASPHALT OVERLAY)

Designed By: A.G.	Drawn By: R.B.	Scale : N.T.S.
Checked By: B.K.	Date: 2025-12-15	Drawing No. SD-208
Approved: PAVEMENT MANAGEMENT BRANCH		

BUTT JOINT
REF. SD-212

BAR MAT REINFORCEMENT
REF. SD-217
(WHERE APPLICABLE)

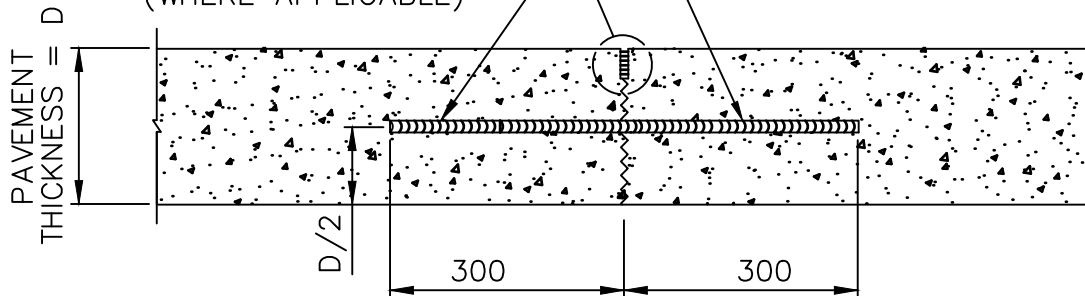


600 LONG TIE BARS:
15M @ 600 O.C. FOR PAVEMENTS $D < 200$
20M @ 600 O.C. FOR PAVEMENTS $D = 200$
25M @ 600 O.C. FOR PAVEMENTS $D > 200$

FORMED LONGITUDINAL JOINT

SAWN JOINT REF. SD-212

BAR MAT REINFORCEMENT
REF. SD-217
(WHERE APPLICABLE)



600 LONG TIE BARS:
15M @ 600 O.C. FOR PAVEMENTS $D < 200$
20M @ 600 O.C. FOR PAVEMENTS $D = 200$
25M @ 600 O.C. FOR PAVEMENTS $D > 200$

SAWN LONGITUDINAL JOINT

DIMENSIONS IN MILLIMETRES



THE CITY OF WINNIPEG
PUBLIC WORKS DEPARTMENT

Reference Spec. No.
CW 3230, CW 3310

Revisions

No.	Date	Description	By
1.	OCT 24	TIE BAR SIZE	A.G.

LONGITUDINAL JOINT FOR
CONCRETE PAVEMENT

Designed By:
L.S.W.L.

Drawn By:
R.B.

Scale :
N.T.S.

Checked By:
D.R.K.

Date:
2025-12-15

Drawing No.

Approved:
PAVEMENT MANAGEMENT BRANCH

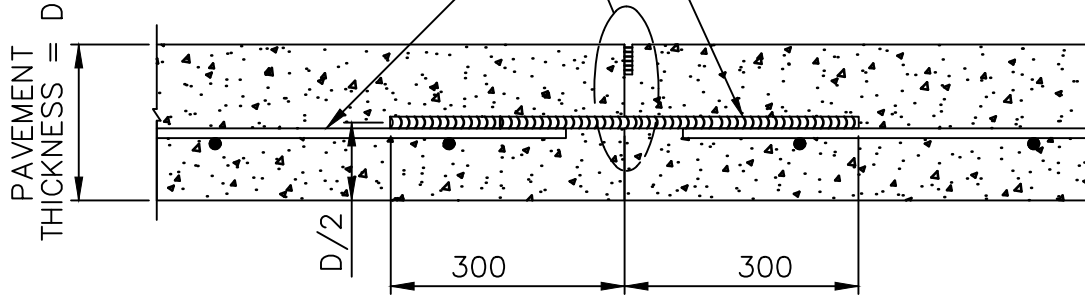
SD-210A

BUTT JOINT
REF. SD-212

BAR MAT REINFORCEMENT
REF. SD-217
(WHERE APPLICABLE)

600 LONG TIE BARS:

- 15M @ 600 O.C. FOR PAVEMENTS $D < 200$
- 20M @ 600 O.C. FOR PAVEMENTS $D = 200$
- 25M @ 600 O.C. FOR PAVEMENTS $D > 200$



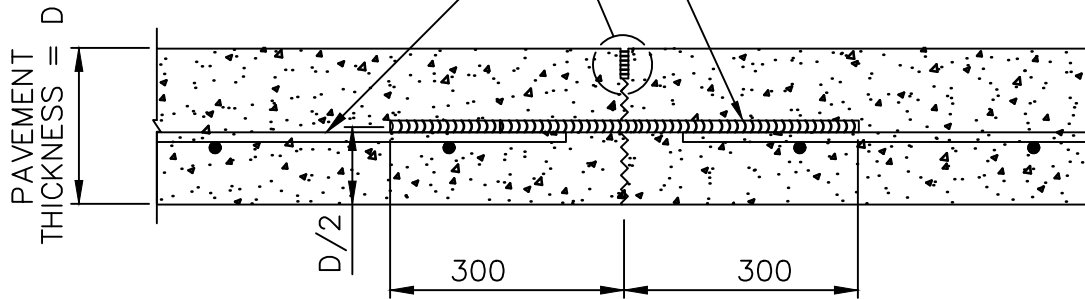
FORMED LONGITUDINAL JOINT

SAWN JOINT REF. SD-212

BAR MAT REINFORCEMENT
REF. SD-217
(WHERE APPLICABLE)

600 LONG TIE BARS:

- 15M @ 600 O.C. FOR PAVEMENTS $D < 200$
- 20M @ 600 O.C. FOR PAVEMENTS $D = 200$
- 25M @ 600 O.C. FOR PAVEMENTS $D > 200$



SAWN LONGITUDINAL JOINT

DIMENSIONS IN MILLIMETRES



THE CITY OF WINNIPEG
PUBLIC WORKS DEPARTMENT

Reference Spec. No.
CW 3230, CW 3310

Revisions

No.	Date	Description	By

LONGITUDINAL JOINT FOR
CONCRETE PAVEMENTS WITH BAR
MAT REINFORCEMENT

Designed By:
A.G.

Drawn By:
R.B.

Scale :
N.T.S.

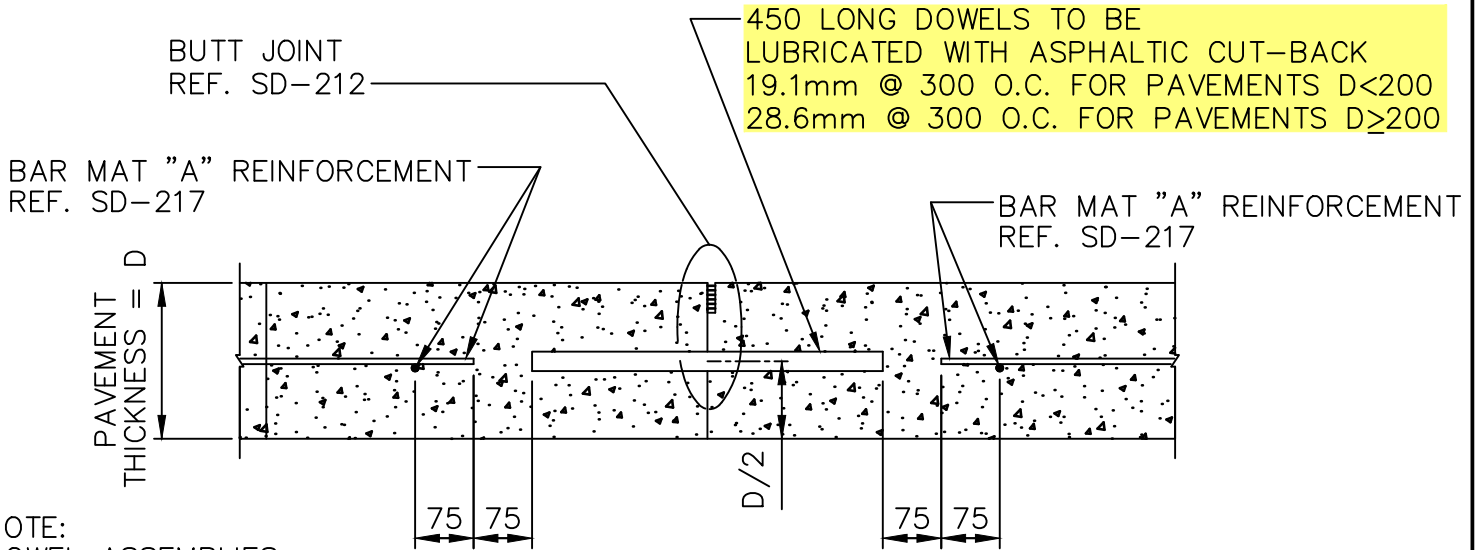
Checked By:
B.K.

Date:
2025-12-15

Drawing No.

Approved:
PAVEMENT MANAGEMENT BRANCH

SD-210B



NOTE:
DOWEL ASSEMBLIES
NOT SHOWN

CONSTRUCTION JOINT MAT "A"

DIMENSIONS IN MILLIMETRES



THE CITY OF WINNIPEG
PUBLIC WORKS DEPARTMENT

Reference Spec. No.
CW 3230, CW 3310

Revisions

No.	Date	Description	By
1.	OCT 24	GENERAL REVISION	R.B.

**CONSTRUCTION JOINT
FOR REINFORCED
CONCRETE PAVEMENT**

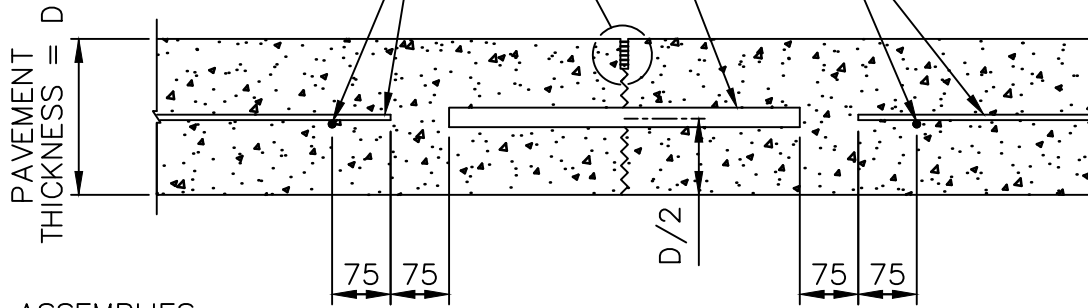
Designed By: A.G.	Drawn By: R.B.	Scale : N.T.S.
Checked By: B.K.	Date: 2025-12-15	Drawing No. SD-211A
Approved: PAVEMENT MANAGEMENT BRANCH		

SAWN JOINT REF. SD-212

BAR MAT "A" REINFORCEMENT
REF. SD-217

450 LONG DOWELS TO BE
LUBRICATED WITH ASPHALTIC CUT-BACK
19.1mm @ 300 O.C. FOR PAVEMENTS D<200
28.6mm @ 300 O.C. FOR PAVEMENTS D≥200

BAR MAT "A" REINFORCEMENT
REF. SD-217



NOTE:
DOWEL ASSEMBLIES
NOT SHOWN

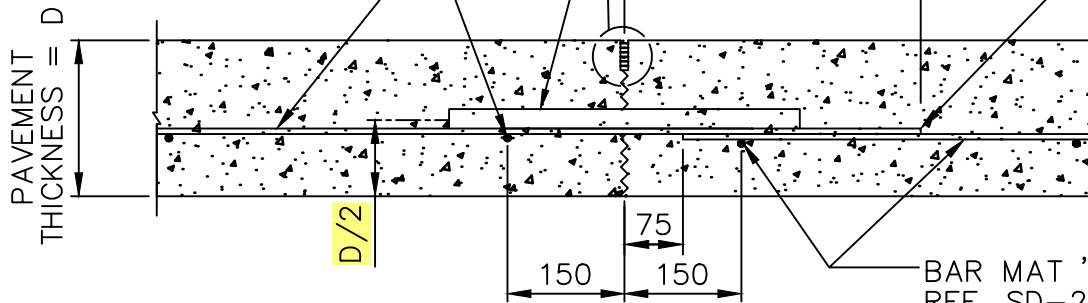
CONTRACTION JOINT MAT "A"

450 LONG DOWELS TO BE
LUBRICATED WITH ASPHALTIC CUT-BACK
19.1mm @ 300 O.C. FOR PAVEMENTS D<200
28.6mm @ 300 O.C. FOR PAVEMENTS D≥200

EXTENSION OF LONGITUDINAL BAR
TO BE LUBRICATED WITH ASPHALTIC
CUT-BACK PRIOR TO CONCRETE
PLACEMENT

BAR MAT 'B' REINFORCEMENT
REF. SD-217

SAWN JOINT REF. SD-212



BAR MAT 'A' REINFORCEMENT
REF. SD-217

CONTRACTION JOINT MAT "B"

DIMENSIONS IN MILLIMETRES



THE CITY OF WINNIPEG
PUBLIC WORKS DEPARTMENT

Reference Spec. No.
CW 3230, CW 3310

Revisions

No.	Date	Description	By

CONTRACTION JOINT
FOR REINFORCED
CONCRETE PAVEMENT

Designed By:
A.G.

Drawn By:
R.B.

Scale :
N.T.S.

Checked By:
B.K.

Date:
2025-12-15

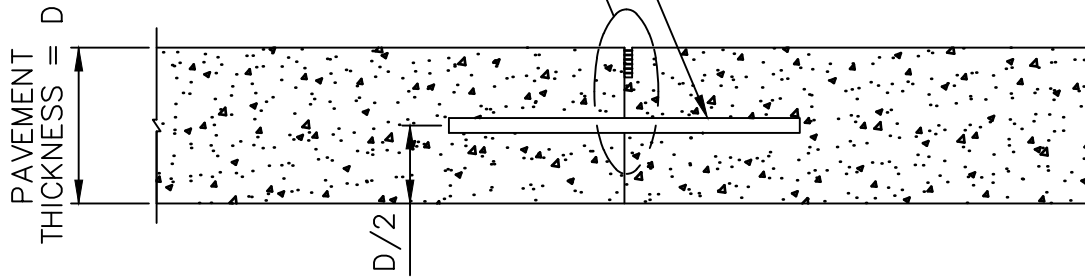
Drawing No.

Approved:
PAVEMENT MANAGEMENT BRANCH

SD-211B

BUTT JOINT REF. SD-212

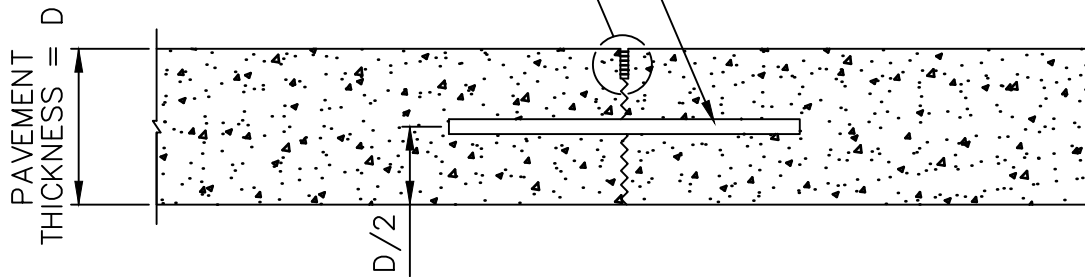
450 LONG DOWELS TO BE LUBRICATED WITH ASPHALTIC CUT-BACK
 19.1mm @ 300 O.C. FOR PAVEMENTS $D < 200$
 28.6mm @ 300 O.C. FOR PAVEMENTS $D \geq 200$



CONSTRUCTION JOINT

SAWN JOINT REF. SD-212

450 LONG DOWELS TO BE LUBRICATED WITH ASPHALTIC CUT-BACK
 19.1mm @ 300 O.C. FOR PAVEMENTS $D < 200$
 28.6mm @ 300 O.C. FOR PAVEMENTS $D \geq 200$



CONTRACTION JOINT

NOTE: DOWEL ASSEMBLIES NOT SHOWN.

DIMENSIONS IN MILLIMETRES



THE CITY OF WINNIPEG
 PUBLIC WORKS DEPARTMENT

Reference Spec. No.
 CW 3230, CW 3310

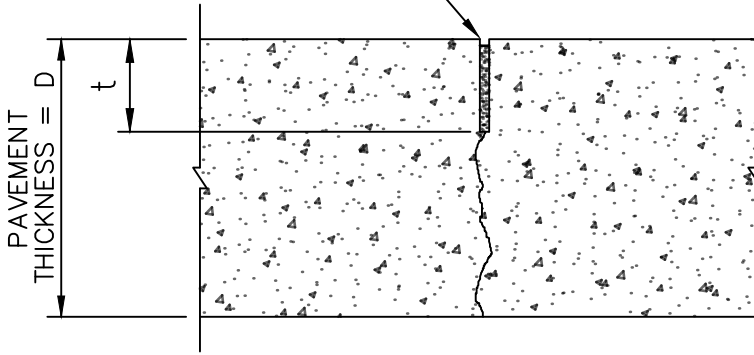
Revisions			
No.	Date	Description	By
1.	OCT 24	GENERAL REVISION	A.G.

CONSTRUCTION JOINT AND
 CONTRACTION JOINT FOR
 PLAIN DOWELLED
 CONCRETE PAVEMENT

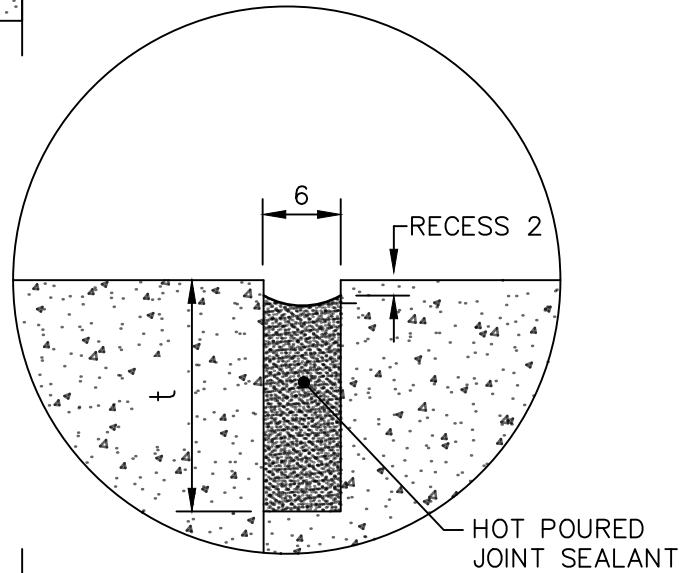
Designed By: L.S.W.L.	Drawn By: R.B.	Scale : N.T.S.
Checked By: D.R.K.	Date: 2025-12-15	Drawing No.
Approved: PAVEMENT MANAGEMENT BRANCH		SD-211C

TRANSVERSE JOINT: $t=D/3$
 LONGITUDINAL JOINT: $t=D/4$

SEE DETAIL "A"

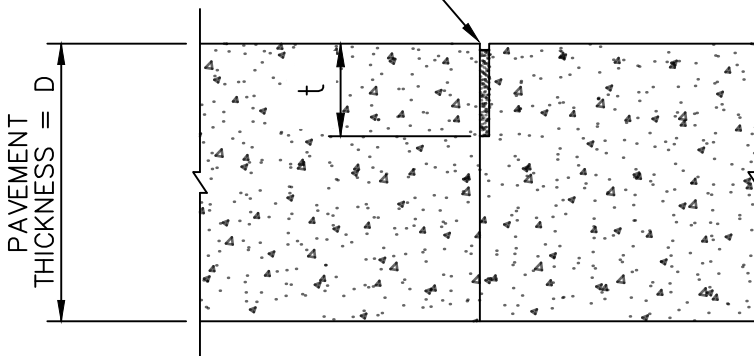


SAWN JOINT



DETAIL "A"

SEE DETAIL "A"



BUTT JOINT

NOTES:

1. SEALING OF CONCRETE JOINTS NOT REQUIRED IF THE JOINTS ARE BEING OVERLAYED WITH ASPHALT.
2. REINFORCING NOT SHOWN.

DIMENSIONS IN MILLIMETRES



THE CITY OF WINNIPEG
 PUBLIC WORKS DEPARTMENT

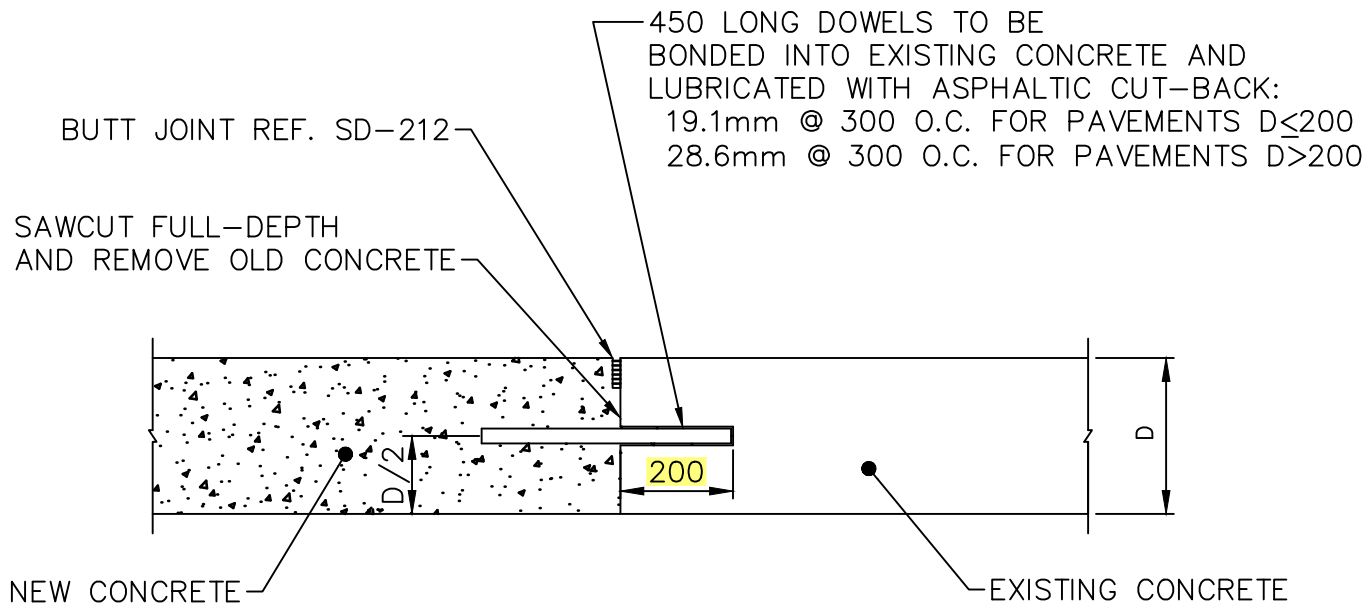
Reference Spec. No.
 CW 3230, CW 3310

Revisions

No.	Date	Description	By
2.	MAY 25	SAW CUT WIDTH AND DEPTH	R.B.
1.	OCT 06	GENERAL REVISION	L.W.B.

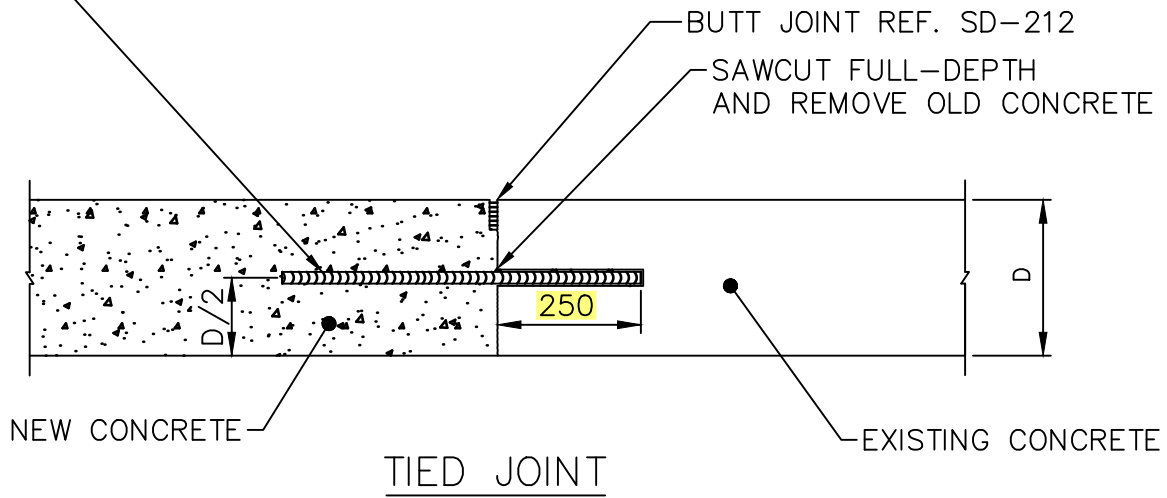
SAWN JOINT AND BUTT JOINT FOR
 CONCRETE PAVEMENTS

Designed By: A.G.	Drawn By: R.B.	Scale : N.T.S.
Checked By: B.K.	Date: 2025-12-15	Drawing No.
Approved: PAVEMENT MANAGEMENT BRANCH		SD-212



TRANSVERSE (MOVING) JOINT

600 LONG TIE BARS:
 15M @ 600 O.C. FOR PAVEMENTS D<200
 20M @ 600 O.C. FOR PAVEMENTS D=200
 25M @ 600 O.C. FOR PAVEMENTS D>200
 WITH MINIMUM 2 BARS PER SIDE



TIED JOINT

NOTE:
 BAR MAT REINFORCEMENT
 NOT SHOWN REF. SD-217

DIMENSIONS IN MILLIMETRES



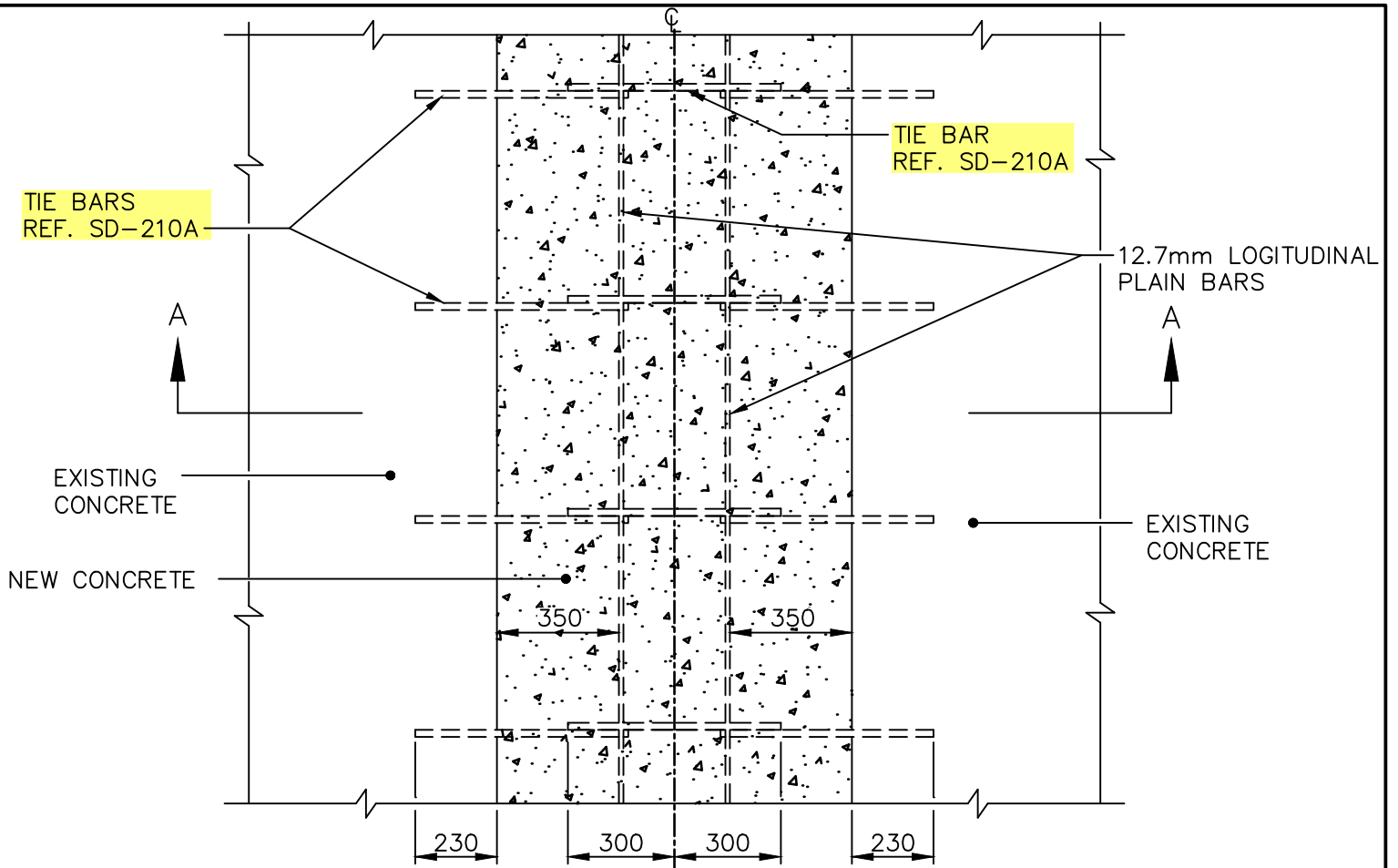
THE CITY OF WINNIPEG
 PUBLIC WORKS DEPARTMENT

Reference Spec. No.
 CW 3230, CW 3310

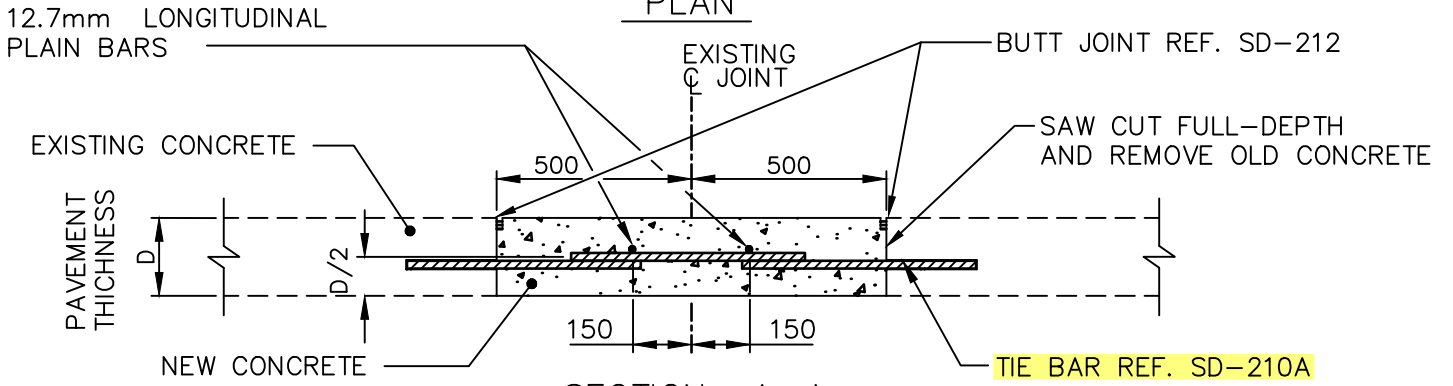
Revisions			
No.	Date	Description	By
2.	OCT 24	TIE BAR DETAILS	A.G.
1.	OCT 13	GENERAL REVISION	L.W.B.

FULL-DEPTH PATCHES AND
 SLAB REPLACEMENT

Designed By: B.P.	Drawn By: R.B.	Scale : N.T.S.
Checked By: D.R.K.	Date: 2025-12-15	Drawing No. SD-213B
Approved: PAVEMENT MANAGEMENT BRANCH		



PLAN



SECTION A-A

NOTE:

1. IF JOINT REPAIR IS GREATER THAN 1000 WIDE ON EITHER SIDE OF THE JOINT, USE ADDITIONAL 12.7mm LONGITUDINAL PLAIN BARS AT 450 O.C. OR USE BAR MAT REF. SD-217.
2. INSTALL DOWELS AT PATCH ENDS, REF. SD-213B.

DIMENSIONS IN MILLIMETRES



THE CITY OF WINNIPEG
PUBLIC WORKS DEPARTMENT

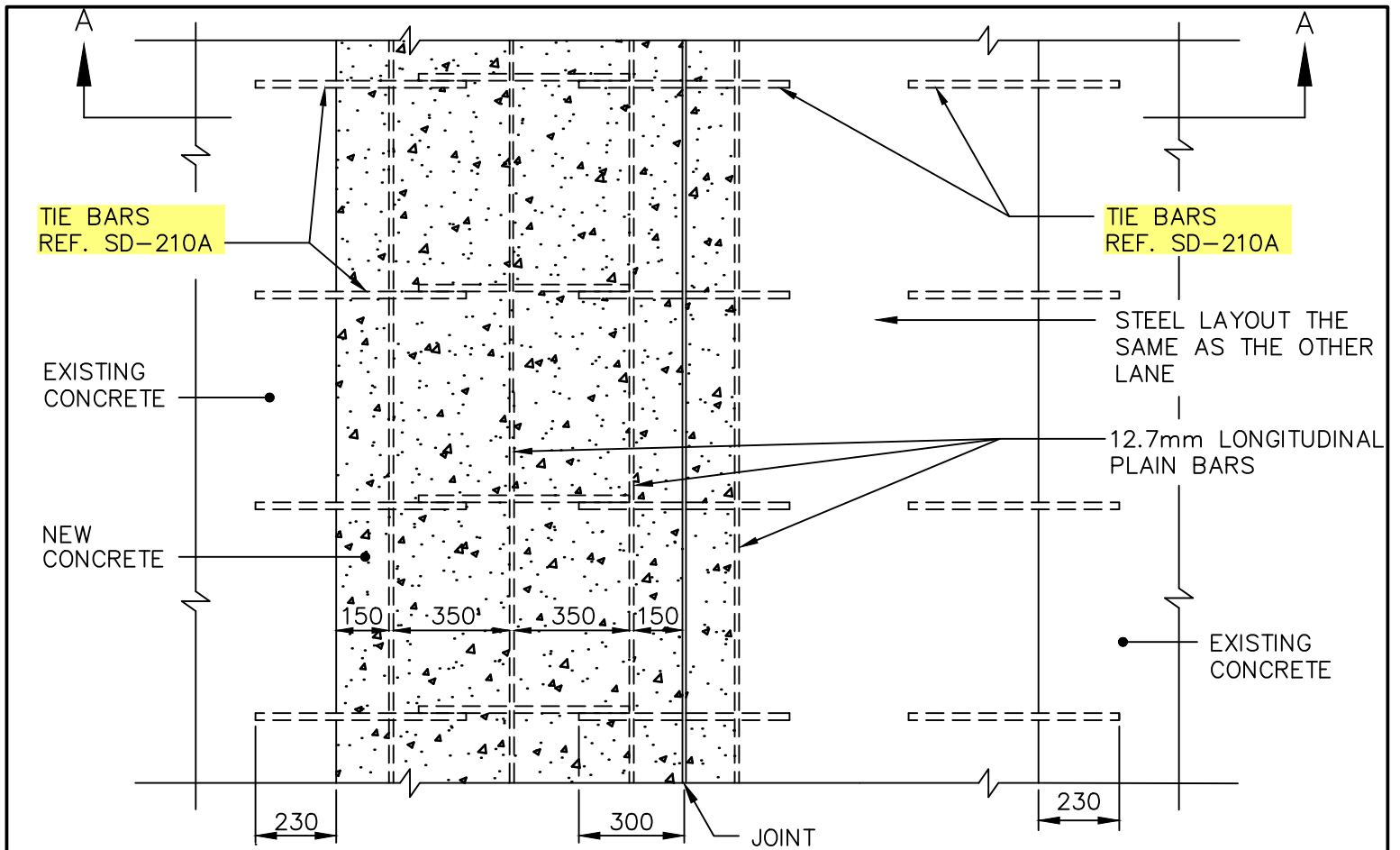
Reference Spec. No.
CW 3230, CW 3310

Revisions

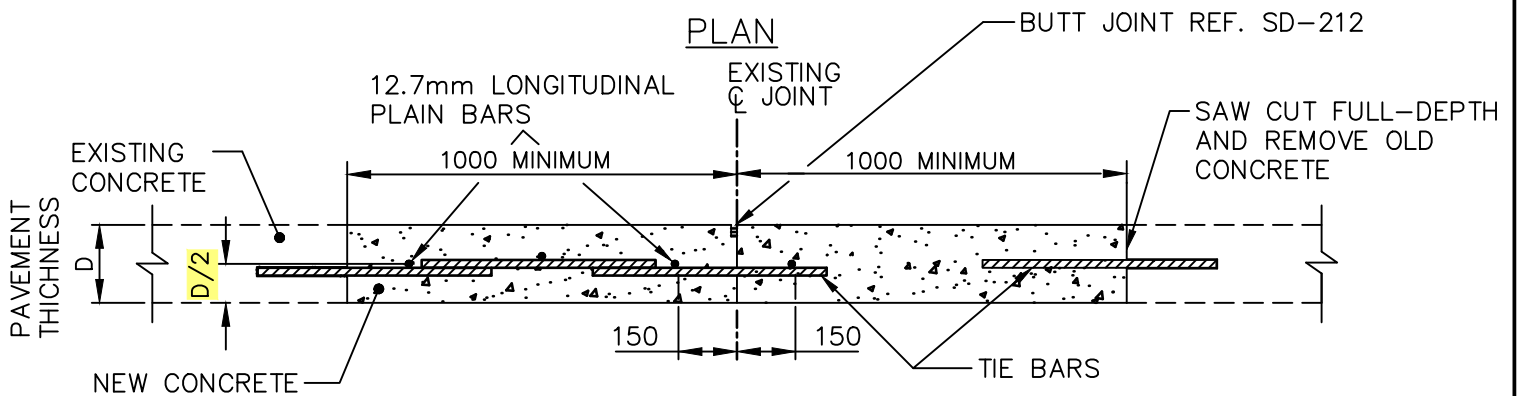
No.	Date	Description	By
3.	OCT 24	TIE BAR DETAILS	A.G.
2.	FEB 04	GENERAL REVISION	J.G.
1.	JAN 03	GENERAL REVISION	A.P.

LONGITUDINAL JOINT
REPAIR DETAILS
FULL-WIDTH PATCH
(BOTH SIDES AT SAME TIME)

Designed By: L.S.W.L.	Drawn By: R.B.	Scale : N.T.S.
Checked By: B.P.	Date: 2025-12-15	Drawing No. SD-214A
Approved: PAVEMENT MANAGEMENT BRANCH		



PLAN



SECTION A-A

NOTE:

1. IF JOINT REPAIR IS GREATER THAN 1000 WIDE ON EITHER SIDE OF THE JOINT, USE ADDITIONAL 12.7mm LONGITUDINAL PLAIN BARS AT 450 O.C. OR USE BAR MAT REF. SD-217.
2. INSTALL DOWELS AT PATCH ENDS, REF. SD-213B.

DIMENSIONS IN MILLIMETRES



THE CITY OF WINNIPEG
PUBLIC WORKS DEPARTMENT

Reference Spec. No.
CW 3230, CW 3310

Revisions

No.	Date	Description	By
1.	OCT 24	TIE BAR DETAILS AND LOCATION	A.G.

LONGITUDINAL JOINT
REPAIR DETAILS
LANE-AT-A-TIME PATCH

Designed By:
L.S.W.L.

Drawn By:
R.B.

Scale :
N.T.S.

Checked By:
B.P.

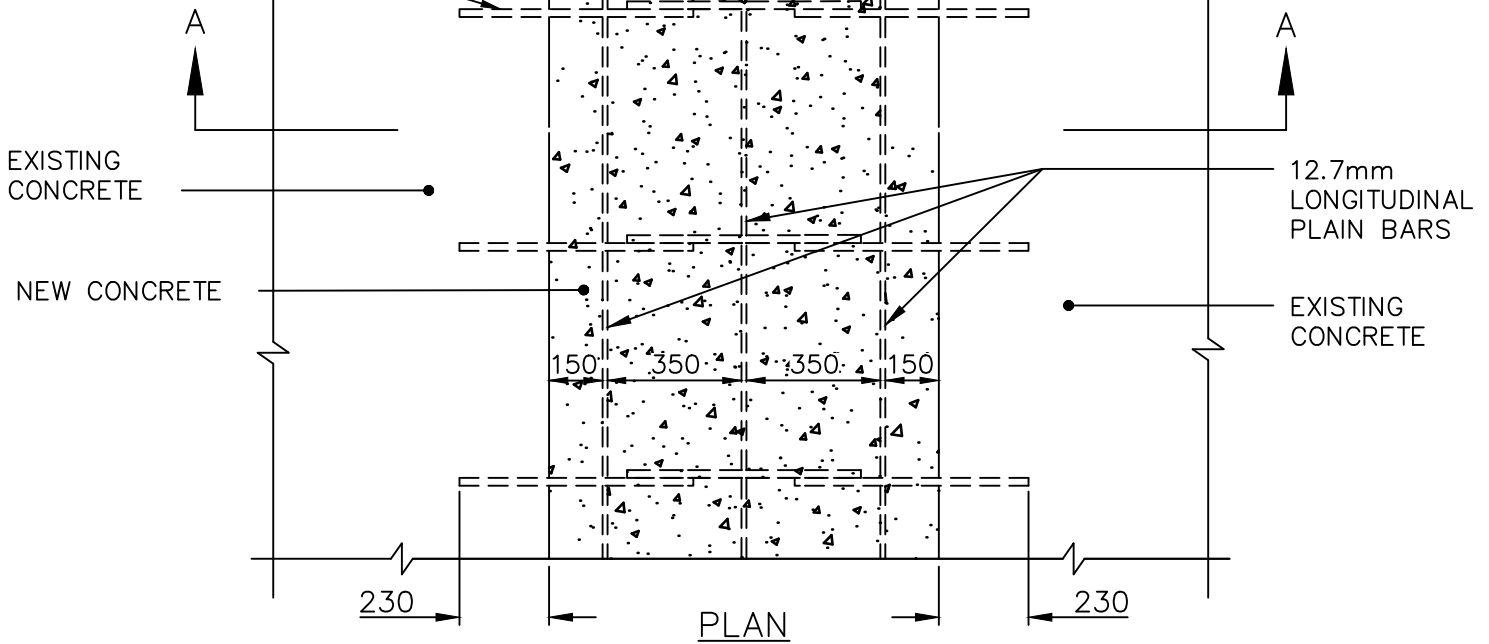
Date:
2025-12-15

Drawing No.

Approved:
PAVEMENT MANAGEMENT BRANCH

SD-214B

TIE BARS
REF. SD-210A



EXISTING
CONCRETE

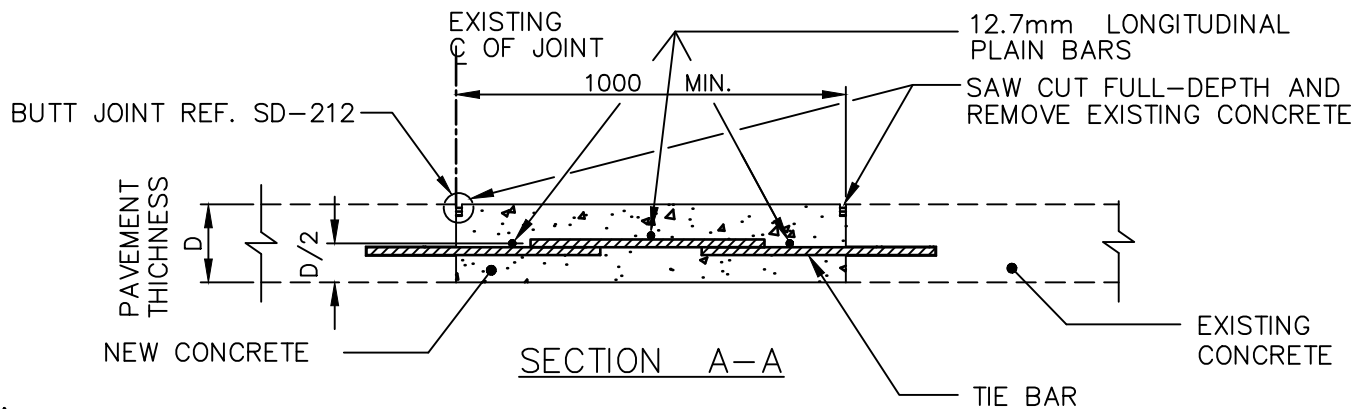
NEW CONCRETE

LONGITUDINAL
JOINT

12.7mm
LONGITUDINAL
PLAIN BARS

EXISTING
CONCRETE

PLAN



BUTT JOINT REF. SD-212

12.7mm LONGITUDINAL
PLAIN BARS
SAW CUT FULL-DEPTH AND
REMOVE EXISTING CONCRETE

PAVEMENT
THICKNESS
D

NEW CONCRETE

SECTION A-A

EXISTING
CONCRETE

TIE BAR

NOTE:

- IF JOINT REPAIR IS GREATER THAN 1000 WIDE ON EITHER SIDE OF THE JOINT, USE ADDITIONAL 12.7mm LONGITUDINAL PLAIN BARS AT 450 O.C. OR USE BAR MAT REF. SD-217.
- INSTALL DOWELS AT PATCH ENDS, REF. SD-213B.

DIMENSIONS IN MILLIMETRES



THE CITY OF WINNIPEG
PUBLIC WORKS DEPARTMENT

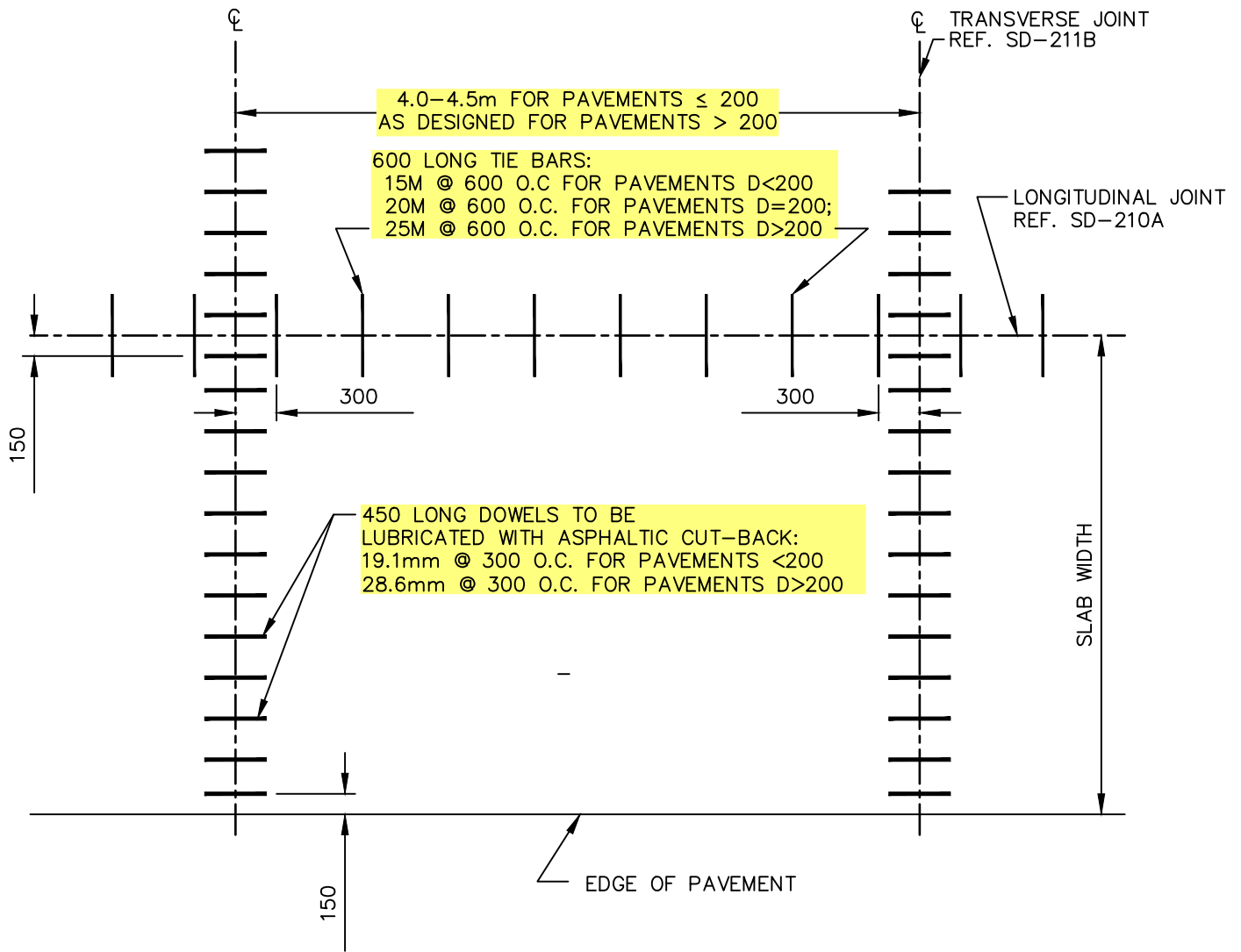
Reference Spec. No.
CW 3230, CW 3310

Revisions

No.	Date	Description	By
3.	OCT 24	TIE BAR DETAILS	A.G.
2.	FEB 04	GENERAL REVISION	J.G.
1.	JAN 03	GENERAL REVISION	L.W.B.

LONGITUDINAL JOINT PATCH DETAILS
ONE SIDE ONLY

Designed By: L.S.W.L.	Drawn By: R.B.	Scale : N.T.S.
Checked By: B.P.	Date: 2025-12-15	Drawing No. SD-214C
Approved: PAVEMENT MANAGEMENT BRANCH		



DIMENSIONS IN MILLIMETRES



THE CITY OF WINNIPEG
PUBLIC WORKS DEPARTMENT

Reference Spec. No.
CW 3230, CW 3310

Revisions

No.	Date	Description	By
2.	OCT 24	TIE BAR AND DOWEL DETAILS	R.B.
1.	DEC 31	GENERAL REVISION	A.R.

LOAD TRANSFER DEVICE FOR
PLAIN DOWELLED CONCRETE
PAVEMENT

Designed By:
A.G.

Drawn By:
R.B.

Scale :
N.T.S.

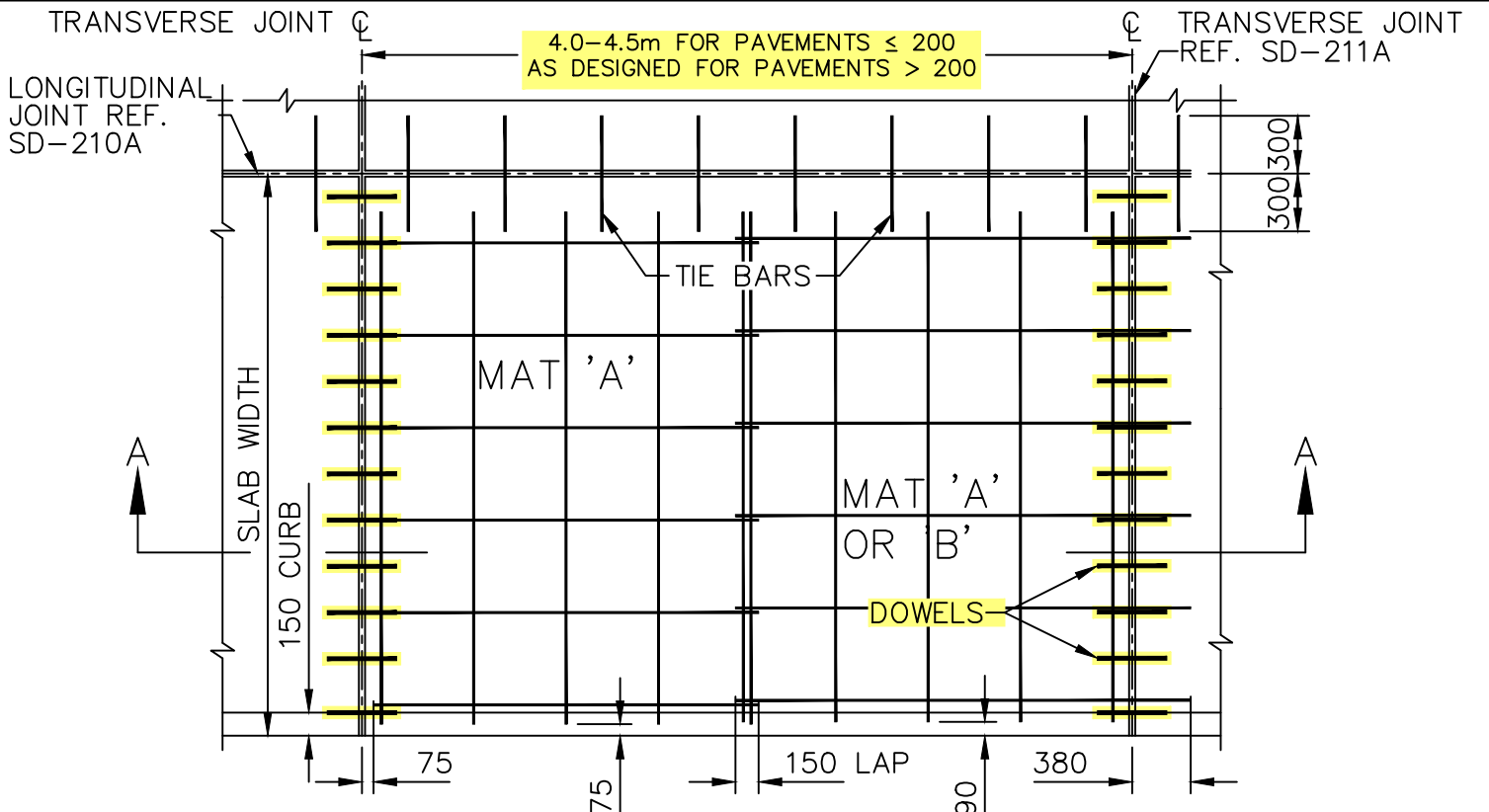
Checked By:
B.K.

Date:
2025-12-15

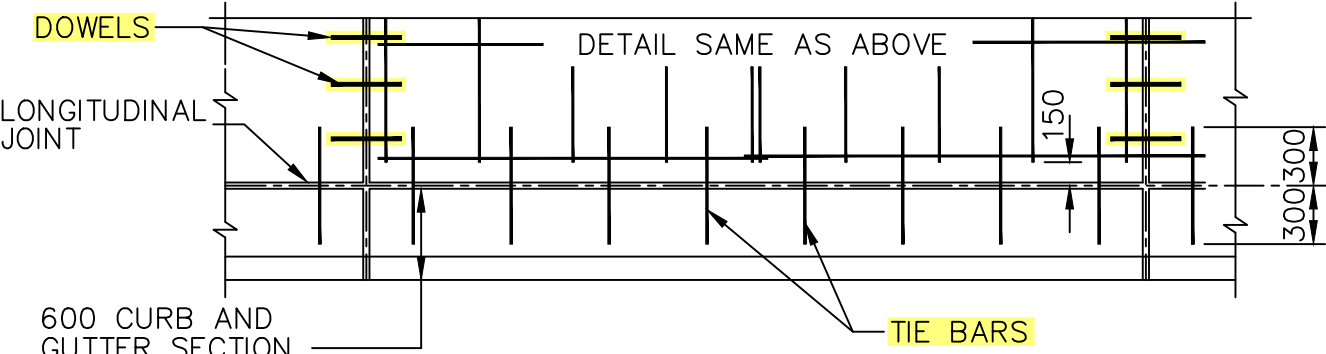
Drawing No.

Approved:
PAVEMENT MANAGEMENT BRANCH

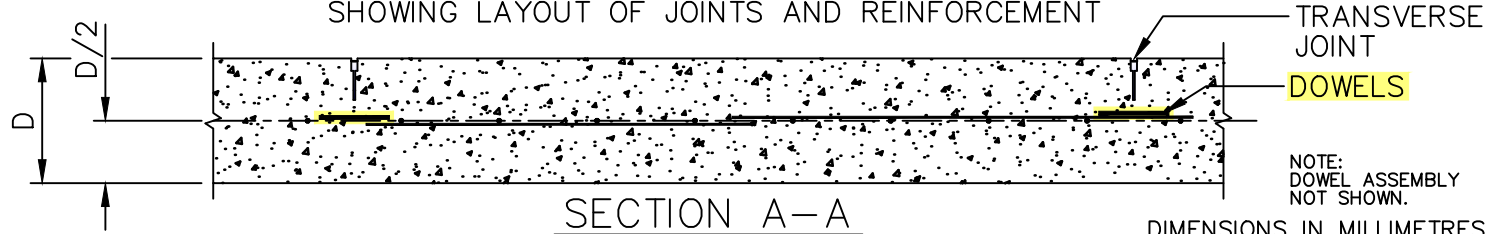
SD-215



PART PLAN OF PAVEMENT WITH CURB
SHOWING LAYOUT OF JOINTS AND REINFORCEMENT



PART PLAN OF PAVEMENT WITH CURB AND GUTTER
SHOWING LAYOUT OF JOINTS AND REINFORCEMENT



SECTION A-A
DIMENSIONS IN MILLIMETRES



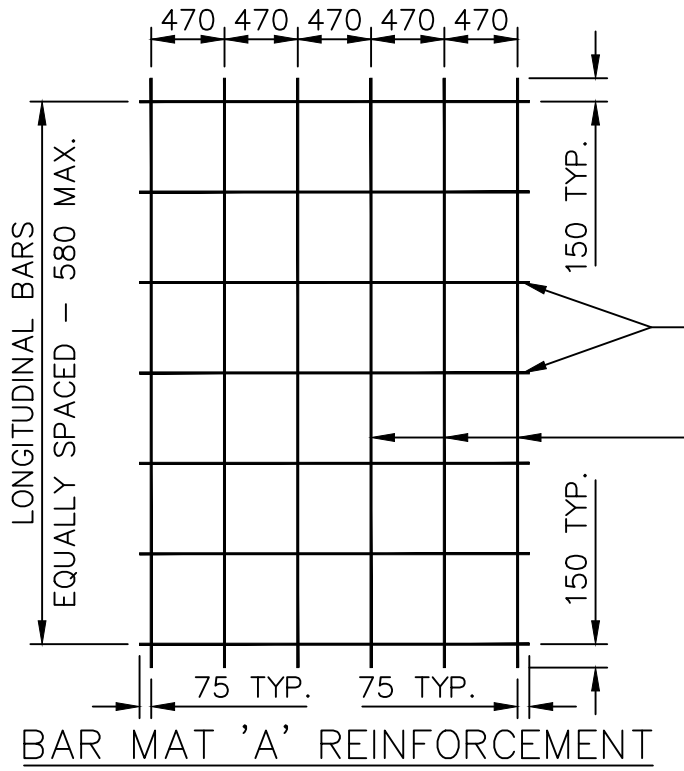
THE CITY OF WINNIPEG
PUBLIC WORKS DEPARTMENT

Reference Spec. No.
CW 3230, CW 3310

Revisions			
No.	Date	Description	By
1.	OCT 24	ADDED DOWELS	R.B.
1.	JAN 03	GENERAL REVISION	L.W.B.

STEEL REINFORCEMENT FOR
REINFORCED CONCRETE
PAVEMENT

Designed By: A.G.	Drawn By: R.B.	Scale : N.T.S.
Checked By: B.K.	Date: 2025-12-15	Drawing No. SD-216
Approved: PAVEMENT MANAGEMENT BRANCH		

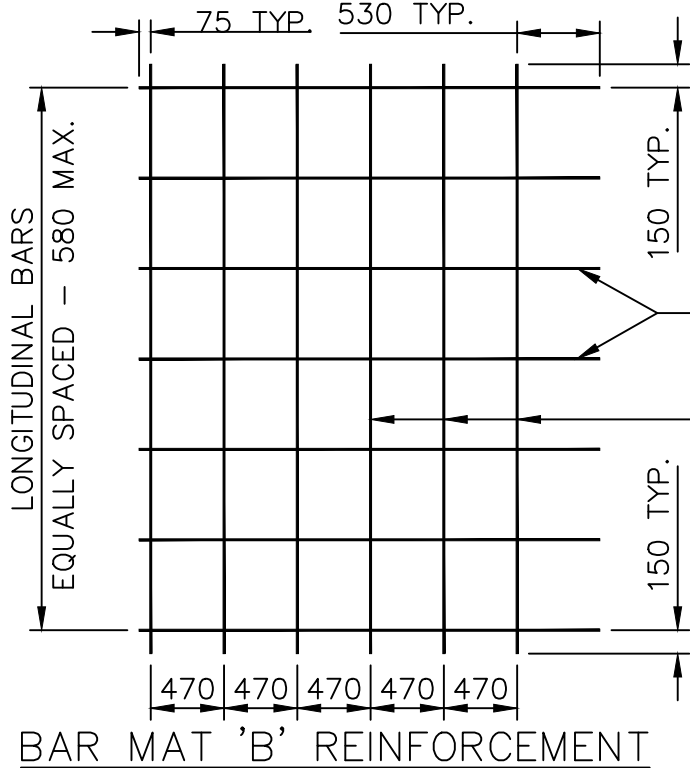


12.7mm LONGITUDINAL PLAIN BARS,
2500 LONG.

12.7mm TRAVERSE PLAIN BARS,
LENGHT OF BARS = SLAB WIDTH - 150

NOTE

- 1) ALL BAR MAT JOINTS TO BE ELECTRICALLY SPOT WELDED.
- 2) ALL DIMENSIONS ARE TO CENTRES OF BARS.



12.7mm LONGITUDINAL PLAIN BARS,
2955 LONG.

12.7mm TRANSVERSE PLAIN BARS,
LENGTH OF BARS = SLAB WIDTH - 150

DIMENSIONS IN MILLIMETRES



THE CITY OF WINNIPEG
PUBLIC WORKS DEPARTMENT

Reference Spec. No.
CW 3230, CW 3310

Revisions

No.	Date	Description	By
2.	OCT 24	GENERAL REVISION	A.G.
1.	JAN 01	GENERAL REVISION	A.R.

LAYOUT FOR TYPE "A" AND "B"
BAR MAT REINFORCEMENT

Designed By:
B.P.

Drawn By:
R.B

Scale :
N.T.S.

Checked By:
D.R.K.

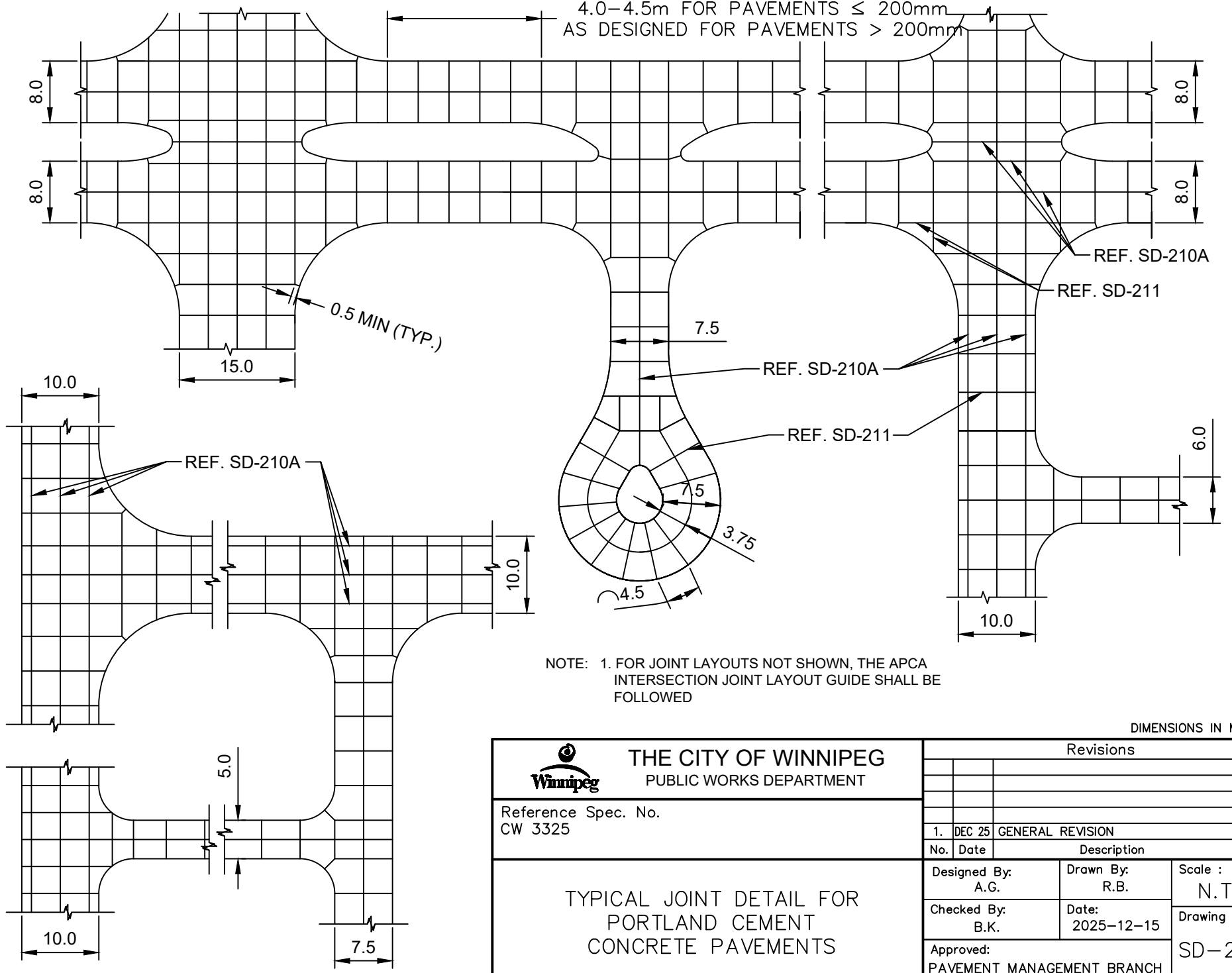
Date:
2025-12-15

Drawing No.

Approved:
PAVEMENT MANAGEMENT BRANCH


SD-217

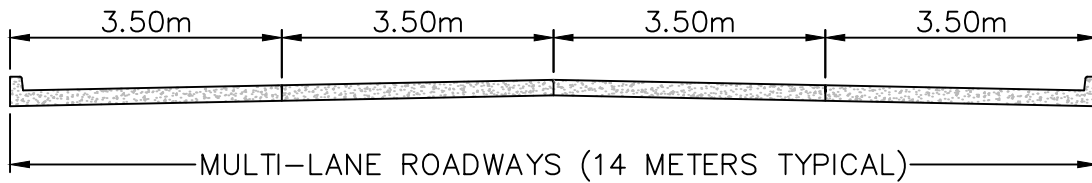
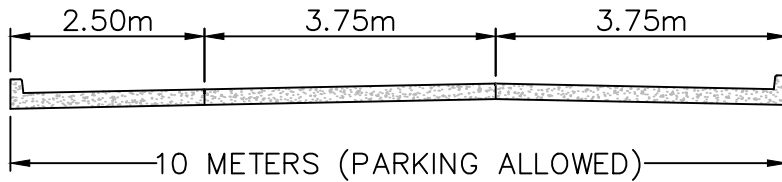
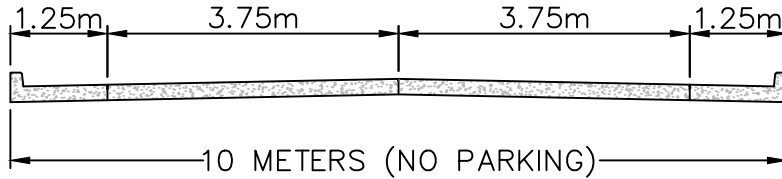
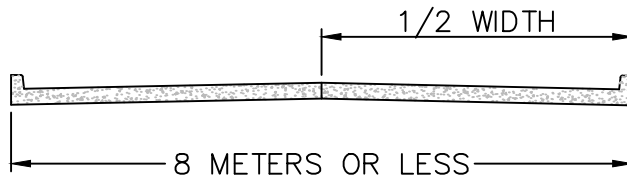
4.0-4.5m FOR PAVEMENTS ≤ 200mm
AS DESIGNED FOR PAVEMENTS > 200mm



NOTE: 1. FOR JOINT LAYOUTS NOT SHOWN, THE APCA INTERSECTION JOINT LAYOUT GUIDE SHALL BE FOLLOWED

DIMENSIONS IN METRES

 THE CITY OF WINNIPEG PUBLIC WORKS DEPARTMENT	Revisions			
	No.	Date	Description	By
Reference Spec. No. CW 3325	1.	DEC 25	GENERAL REVISION	R.B.
TYPICAL JOINT DETAIL FOR PORTLAND CEMENT CONCRETE PAVEMENTS	Designed By:	Drawn By:	Scale :	
	A.G.	R.B.	N.T.S.	
	Checked By:	Date:	Drawing No.	
	B.K.	2025-12-15	SD-218A	
Approved:		PAVEMENT MANAGEMENT BRANCH		



DIMENSIONS IN METRES



THE CITY OF WINNIPEG
PUBLIC WORKS DEPARTMENT

Reference Spec No.
CW 3310

LOCATION OF LONGITUDINAL JOINTS
IN CONCRETE PAVEMENTS

Revisions

No.	Date	Description	By
1.	DEC 25	GENERAL REVISION	R.B.

Designed By:
L.S.W.Z

Drawn By:
H.N.

Scale :
N.T.S.

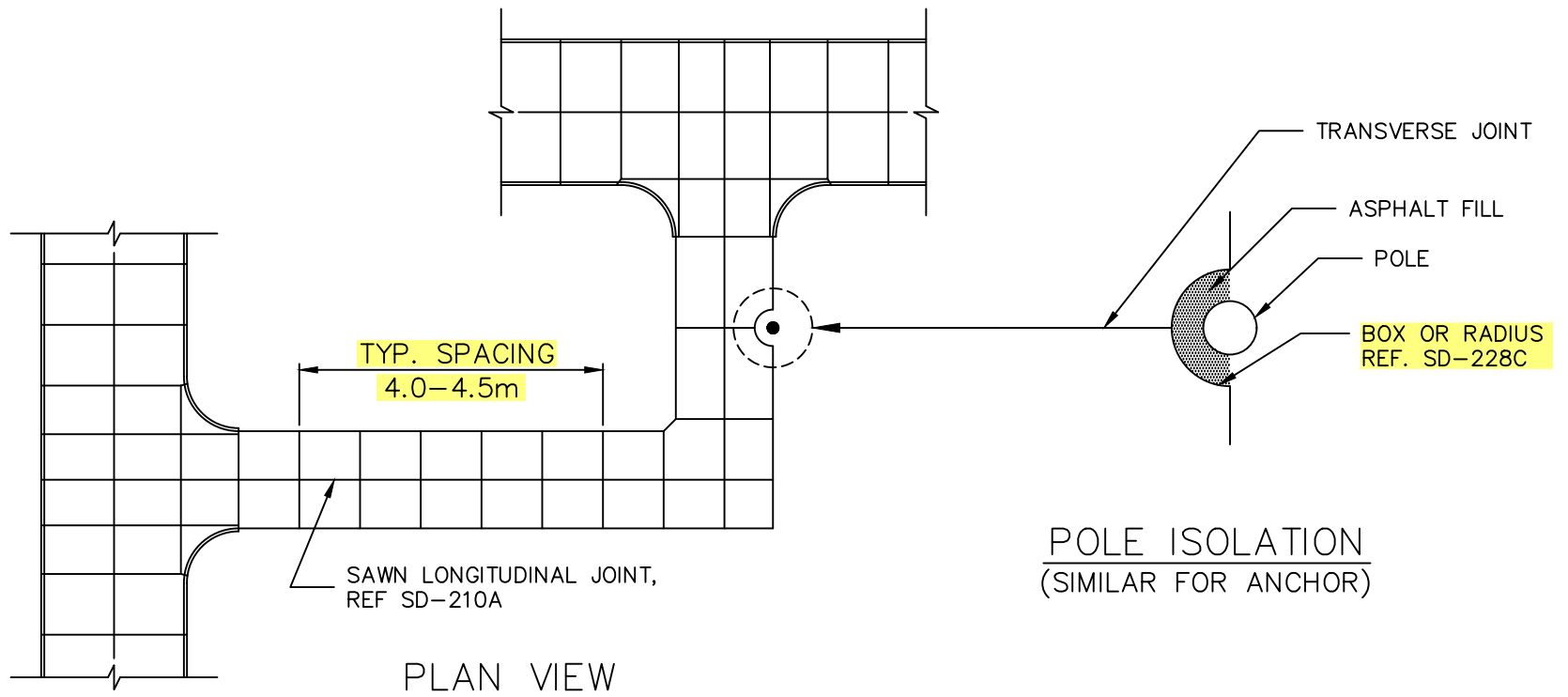
Checked By:
L.S.W.Z

Date:
2025-12-15

Drawing No.

Approved:
PAVEMENT MANAGEMENT BRANCH

SD-218B



THE CITY OF WINNIPEG
PUBLIC WORKS DEPARTMENT

Reference Spec No.
CW 3230, CW 3310

TYPICAL PUBLIC LANE
DETAILS

Revisions

No.	Date	Description	By
1.	OCT 24	GENERAL REVISION	R.B.

Designed By:
S.L.W.L.

Drawn By:
R.B.

Scale :
N.T.S.

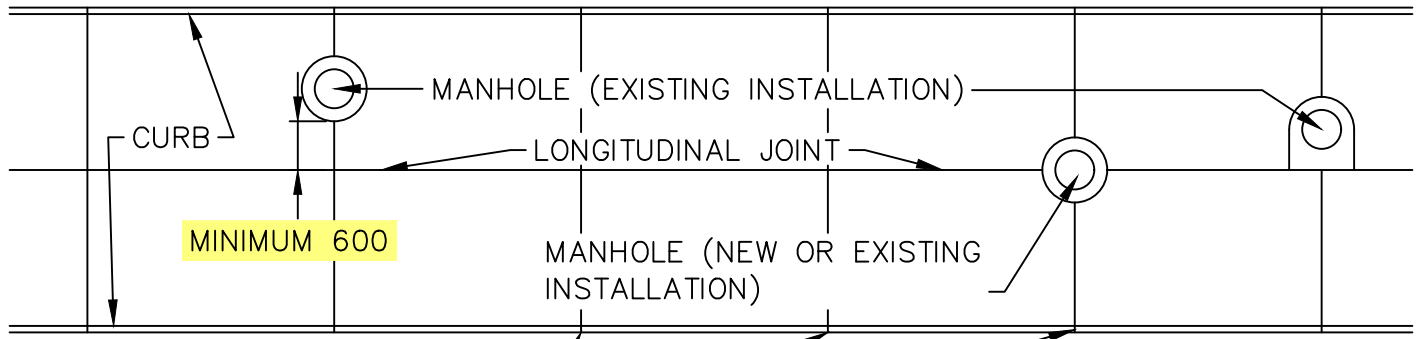
Checked By:
A.G.

Date:
2025-12-15

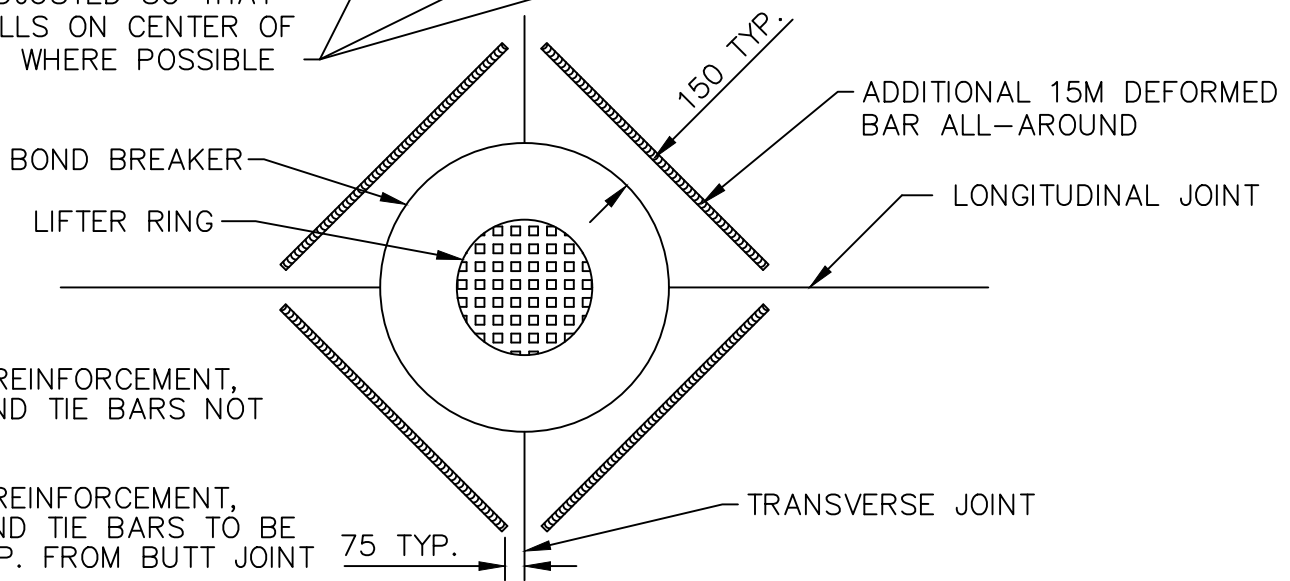
Drawing No.

Approved:
PAVEMENT MANAGEMENT BRANCH

SD-219



TRANSVERSE JOINT SPACING TO BE ADJUSTED SO THAT JOINT FALLS ON CENTER OF MANHOLE WHERE POSSIBLE

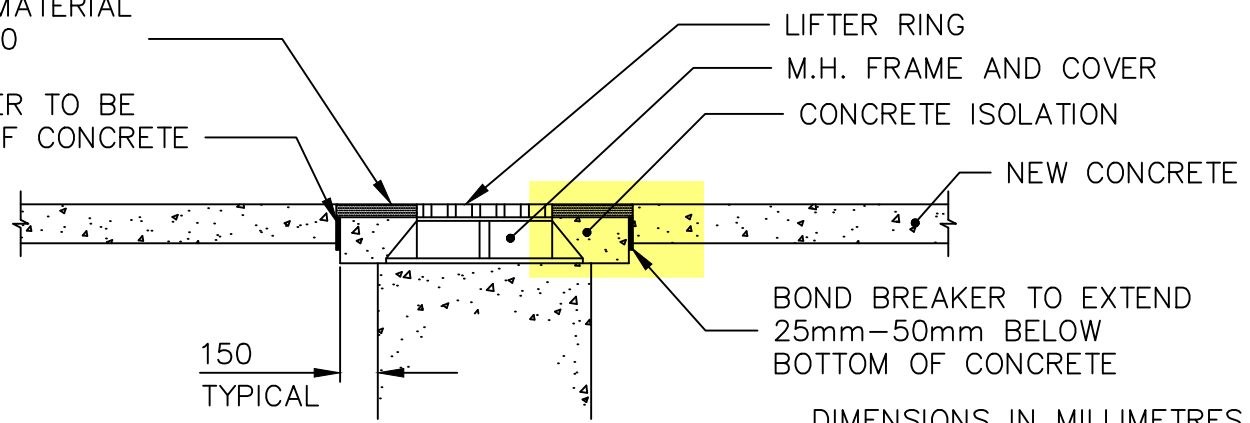


NOTE:

1. BAR MAT REINFORCEMENT, DOWELS AND TIE BARS NOT SHOWN
2. BAR MAT REINFORCEMENT, DOWELS AND TIE BARS TO BE 100mm TYP. FROM BUTT JOINT

ASPHALT MATERIAL MINIMUM 50

BOND BREAKER TO BE BELOW TOP OF CONCRETE AND SEALED



DIMENSIONS IN MILLIMETRES



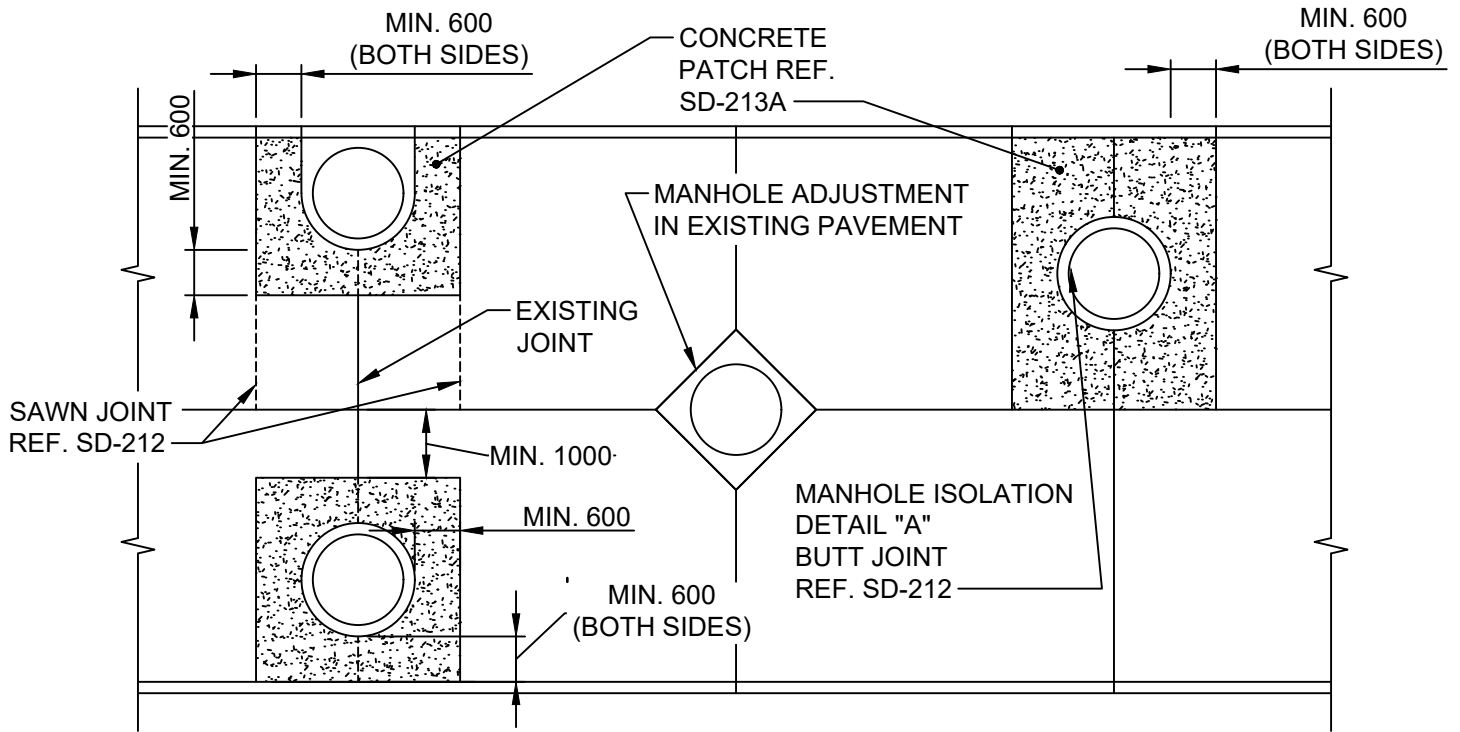
THE CITY OF WINNIPEG
PUBLIC WORKS DEPARTMENT

Reference Spec No.
CW 3310

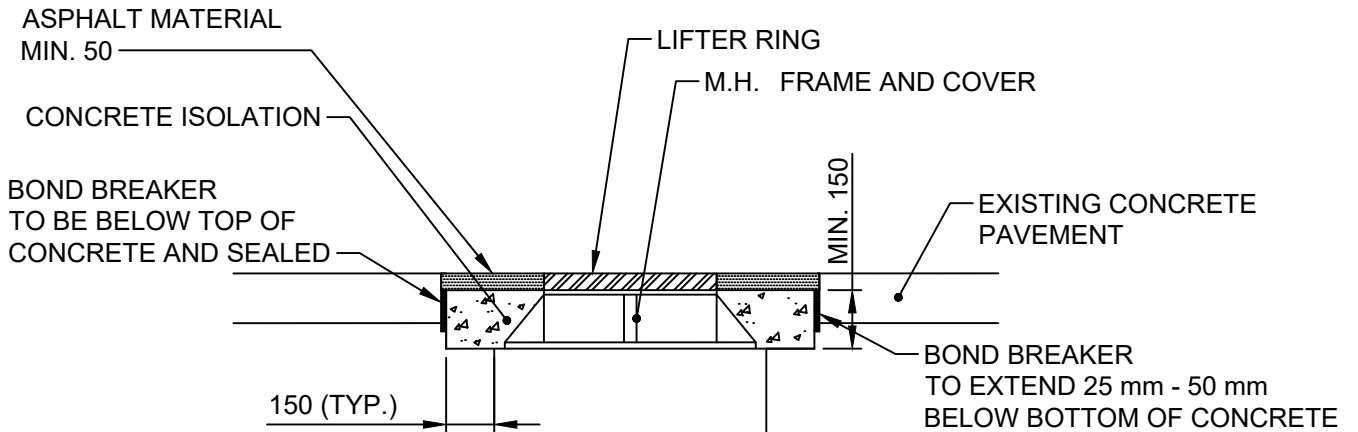
Revisions			
No.	Date	Description	By
2.	DEC 25	GENERAL REVISION	A.G.
1.	JAN 03	GENERAL REVISION	L.W.B.

MANHOLE ISOLATION
DETAIL FOR CONCRETE
PAVEMENTS

Designed By: L.S.W.L.	Drawn By: R.B.	Scale : N.T.S.
Checked By: D.R.K.	Date: 2025-12-15	Drawing No. SD-220A
Approved: PAVEMENT MANAGEMENT BRANCH		



ISOLATION FOR M.H. ADJUSTMENT OR RESTORATION



DETAIL "A"

DIMENSIONS IN MILLIMETRES



THE CITY OF WINNIPEG
PUBLIC WORKS DEPARTMENT

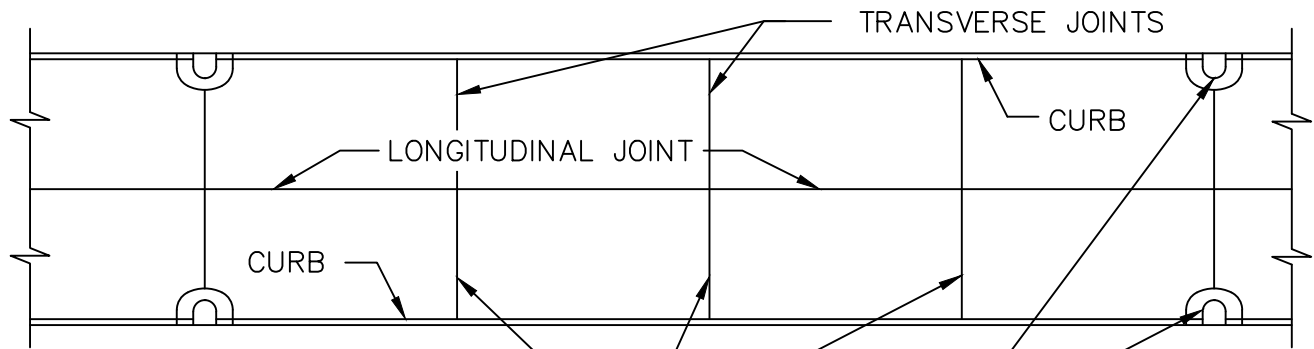
Reference Spec. No.
CW 3210, CW 3230, CW 3310

Revisions

No.	Date	Description	By
1.	DEC 25	GENERAL REVISION	R.B.

MANHOLE ISOLATION DETAIL
IN EXISTING PAVEMENTS

Designed By: A.G.	Drawn By: R.B.	Scale : N.T.S.
Checked By: B.K.	Date: 2025-12-15	Drawing No. SD-220B
Approved: PAVEMENT MANAGEMENT BRANCH		

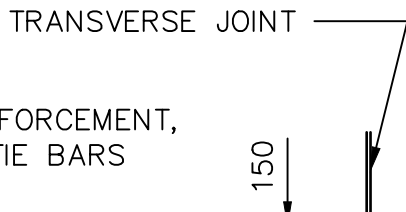


TRANSVERSE JOINT SPACING TO BE ADJUSTED SO THAT JOINT FALLS ON CENTRE OF CURB AND GUTTER INLET ISOLATION

CURB AND GUTTER INLETS

NOTE:

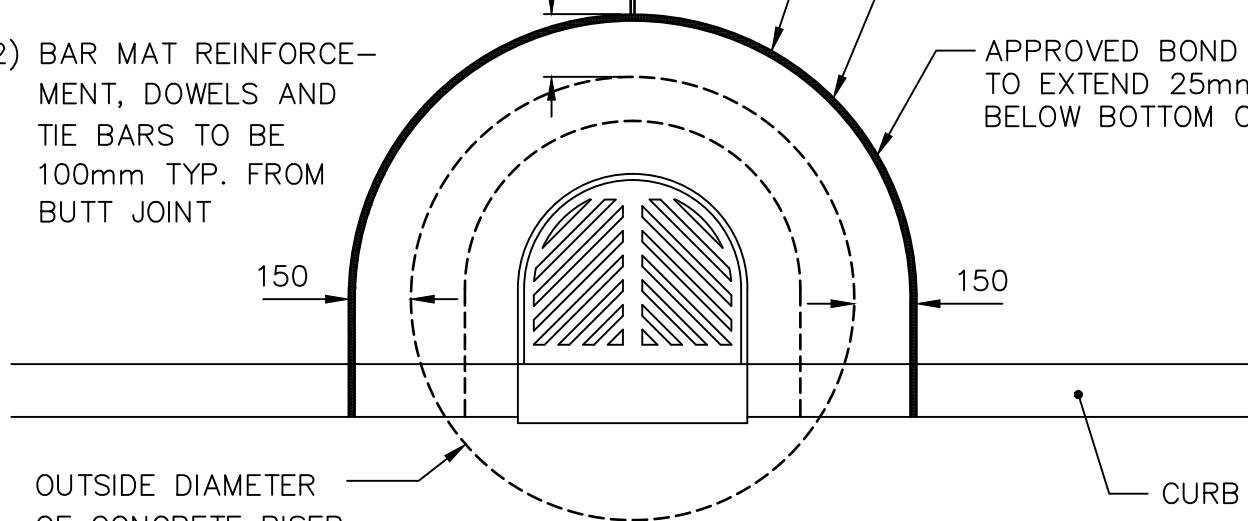
- 1) BAR MAT REINFORCEMENT, DOWELS AND TIE BARS NOT SHOWN
- 2) BAR MAT REINFORCEMENT, DOWELS AND TIE BARS TO BE 100mm TYP. FROM BUTT JOINT



BUTT JOINT ALL AROUND REF. SD-212

APPROVED BOND BREAKER TO BE BELOW TOP OF CONC. AND SEALED

APPROVED BOND BREAKER TO EXTEND 25mm-50mm BELOW BOTTOM OF CONC.



OUTSIDE DIAMETER OF CONCRETE RISER
REF. SD-023
SD-024

DIMENSIONS IN MILLIMETRES



THE CITY OF WINNIPEG
PUBLIC WORKS DEPARTMENT

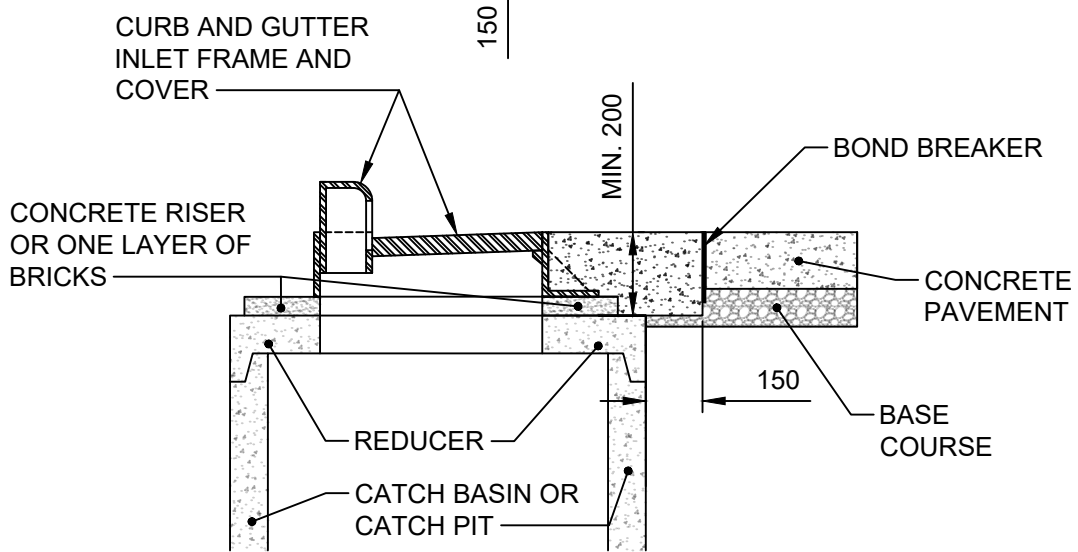
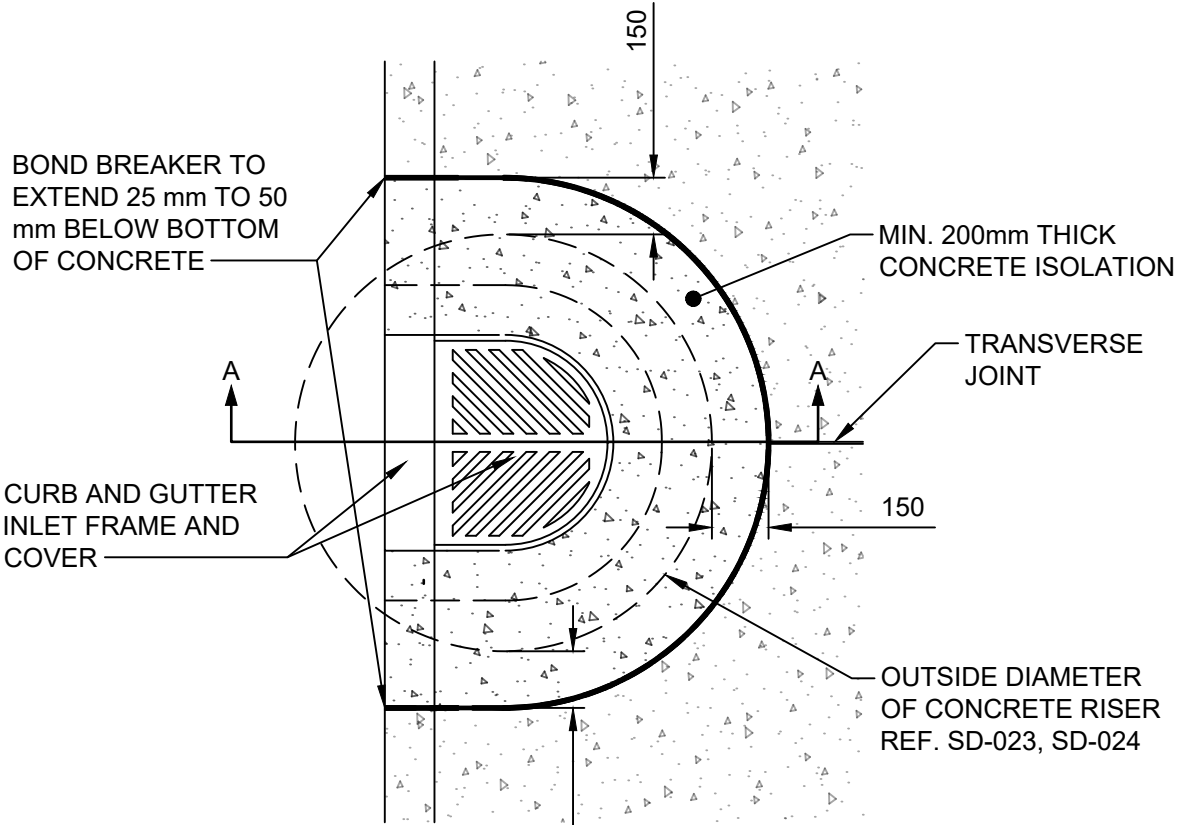
Reference Spec. No.
CW 3210, CW 3230, CW 3310

Revisions

No.	Date	Description	By
1.	DEC 25	ADDED ROUNDED FRAME	T.K.

CURB AND GUTTER INLET
ISOLATION DETAIL

Designed By: A.G.	Drawn By: T.K.	Scale : N.T.S.
Checked By: B.K.	Date: 2025-12-15	Drawing No. SD-220C
Approved: PAVEMENT MANAGEMENT BRANCH		



SECTION A-A

DIMENSIONS IN MILLIMETRES



THE CITY OF WINNIPEG
PUBLIC WORKS DEPARTMENT

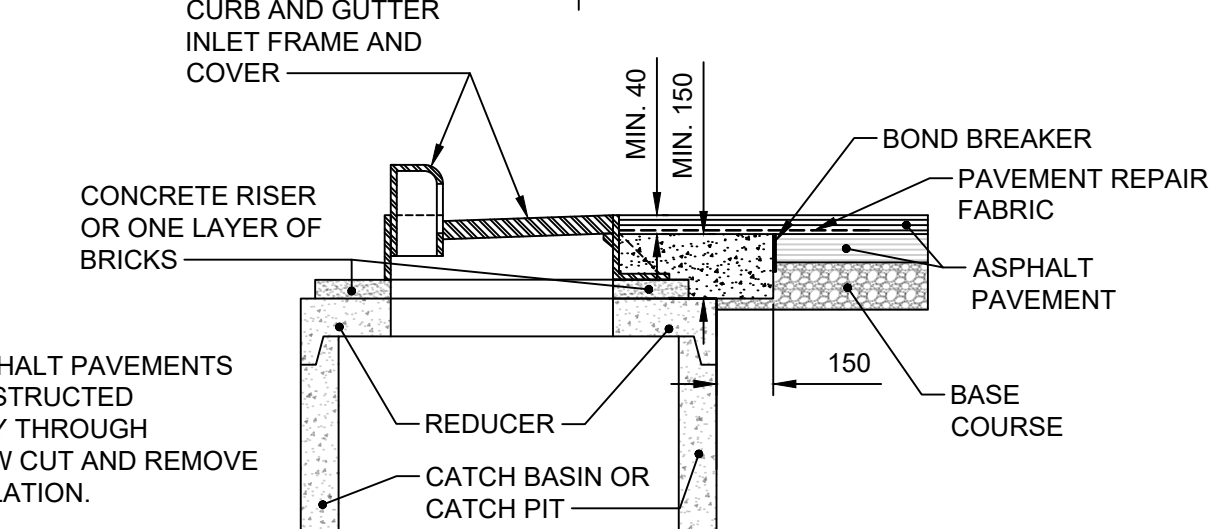
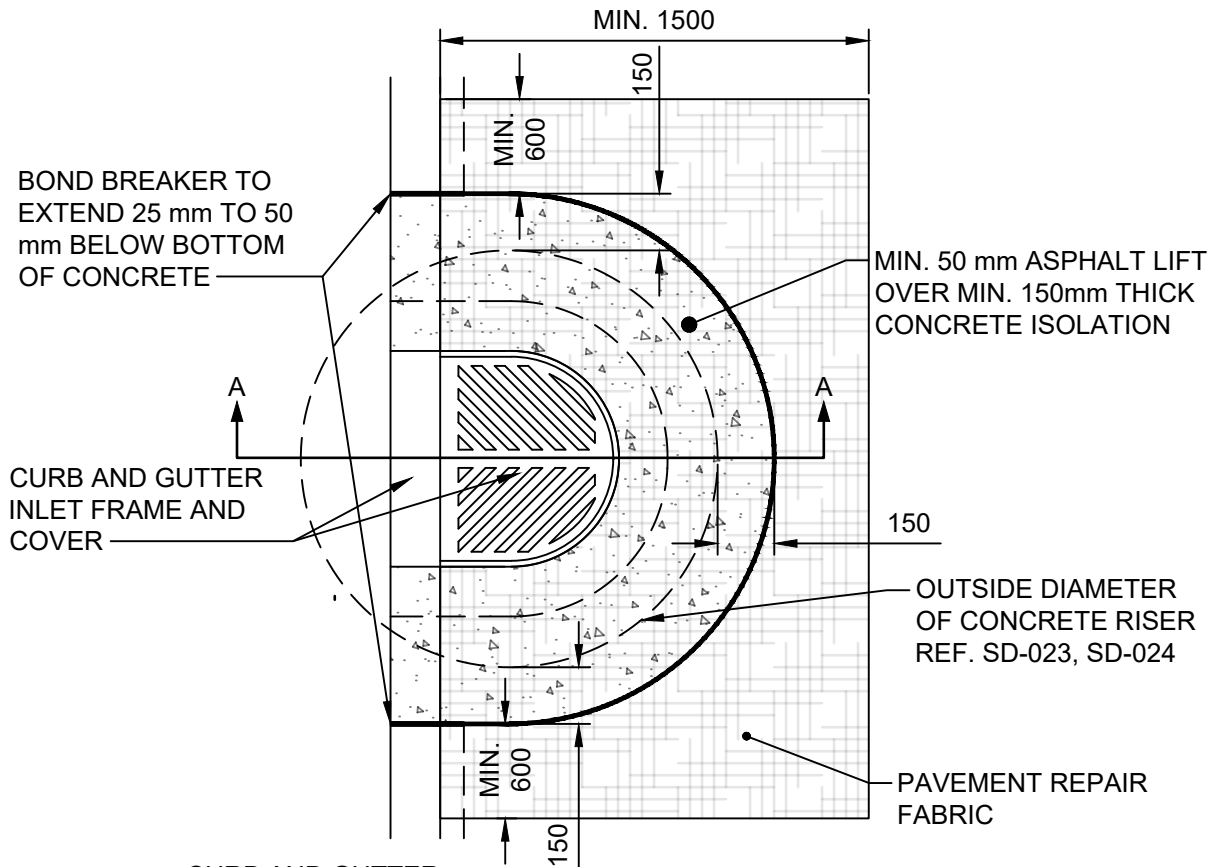
Reference Spec. No.
CW 3325

Revisions			

No.	Date	Description	By

Designed By: A.G.	Drawn By: T.K.	Scale : N.T.S.
Checked By: B.K.	Date: 2025-12-15	Drawing No. SD-220D
Approved: PAVEMENT MANAGEMENT BRANCH		

**BARRIER CURB AND GUTTER
INLET ISOLATION DETAIL FOR
EXPOSED CONCRETE PAVEMENTS**



NOTE:
CURB FOR ASPHALT PAVEMENTS SHALL BE CONSTRUCTED CONTINUOUSLY THROUGH ISOLATION. SAW CUT AND REMOVE CURB FOR ISOLATION.

SECTION A-A

DIMENSIONS IN MILLIMETRES



THE CITY OF WINNIPEG
PUBLIC WORKS DEPARTMENT

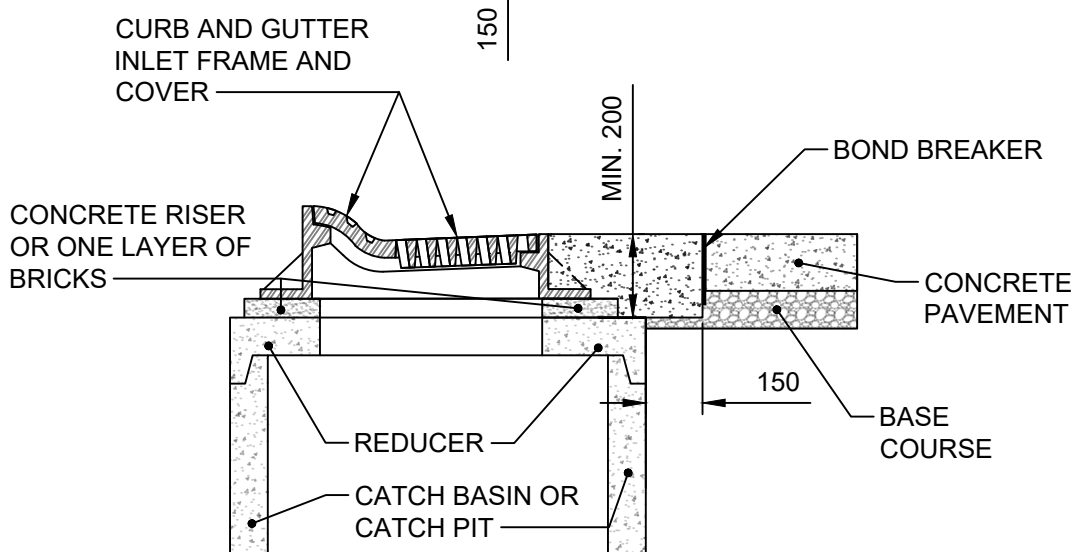
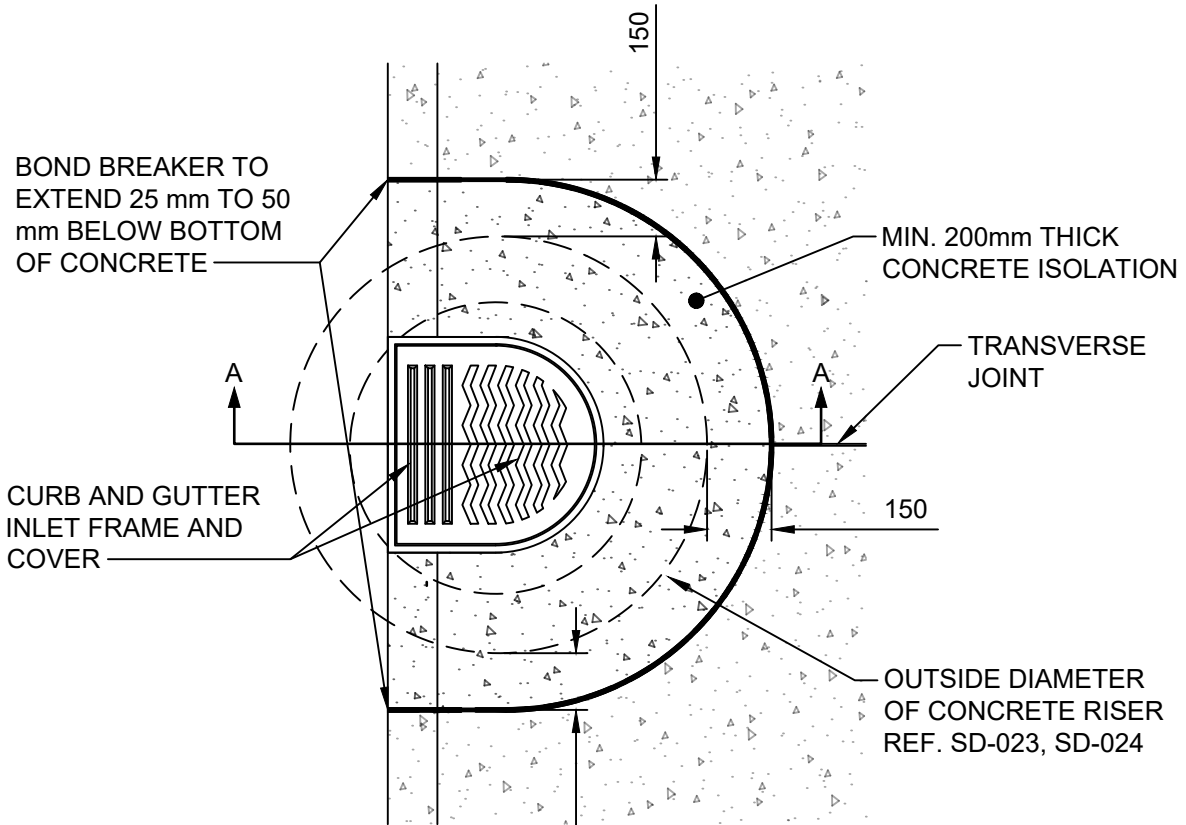
Reference Spec. No.
CW 3325

Revisions			

BARRIER CURB AND GUTTER INLET ISOLATION DETAIL FOR NEW ASPHALT PAVEMENTS

No.	Date	Description	By

Designed By: A.G.	Drawn By: T.K.	Scale : N.T.S.
Checked By: B.K.	Date: 2025-12-15	Drawing No.
Approved: PAVEMENT MANAGEMENT BRANCH		SD-220E



SECTION A-A

DIMENSIONS IN MILLIMETRES



THE CITY OF WINNIPEG
PUBLIC WORKS DEPARTMENT

Reference Spec. No.
CW 3325

Revisions

No.	Date	Description	By

LIP CURB AND GUTTER INLET
ISOLATION DETAIL FOR EXPOSED
CONCRETE PAVEMENTS

Designed By:
A.G.

Drawn By:
T.K.

Scale :
N.T.S.

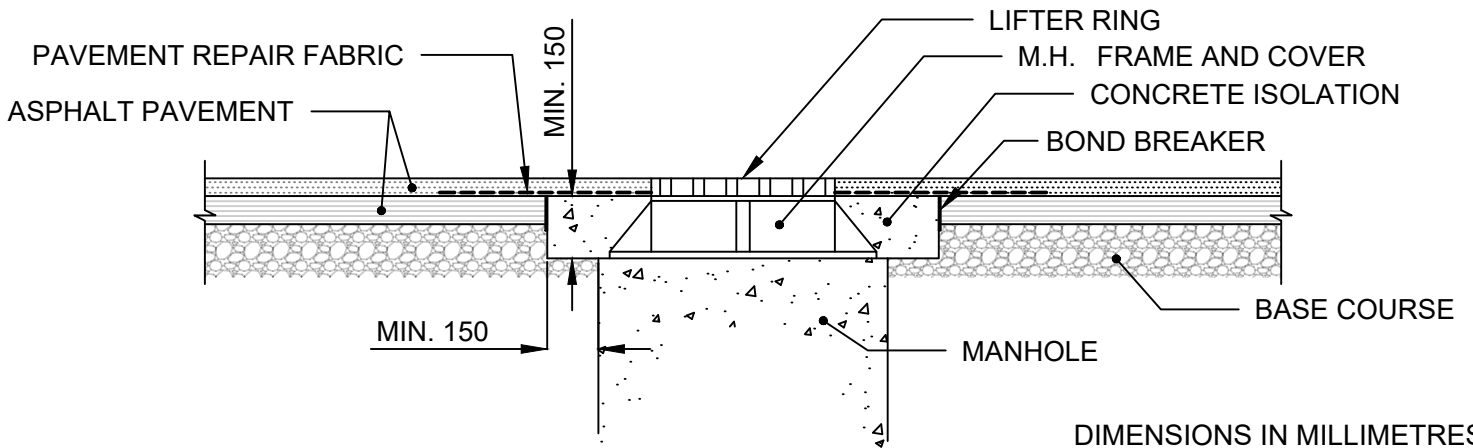
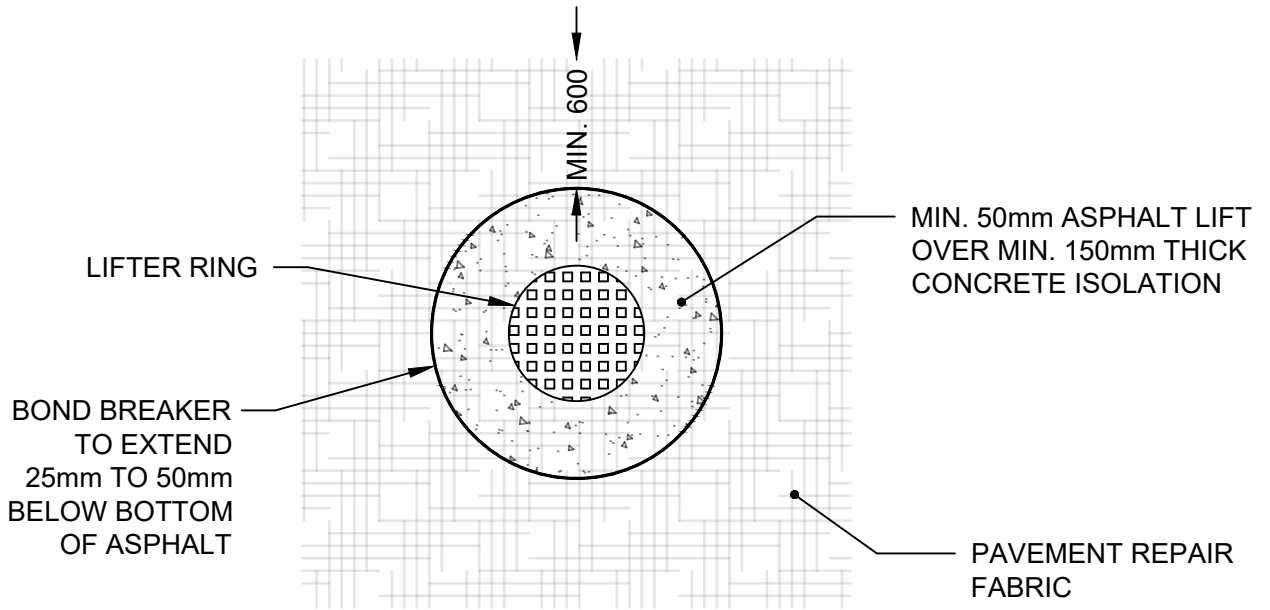
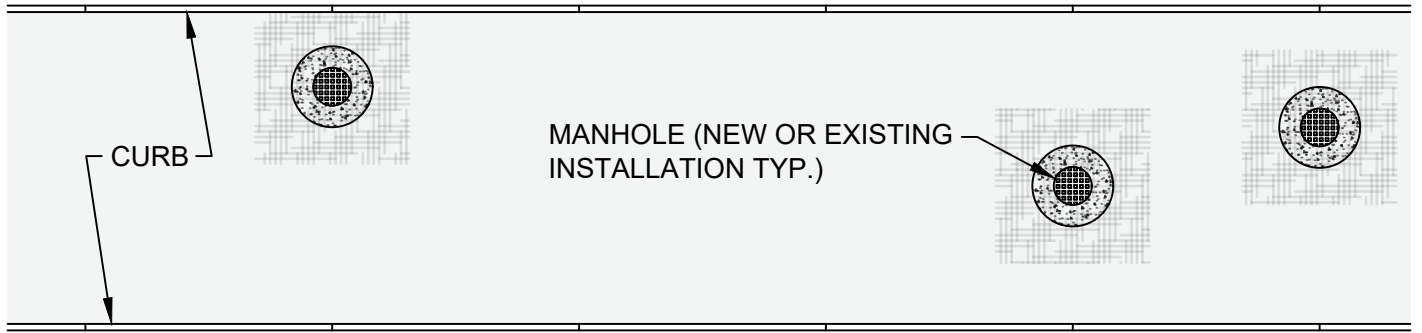
Checked By:
B.K.

Date:
2025-12-15

Drawing No.

Approved:
PAVEMENT MANAGEMENT BRANCH

SD-220F



DIMENSIONS IN MILLIMETRES



THE CITY OF WINNIPEG
PUBLIC WORKS DEPARTMENT

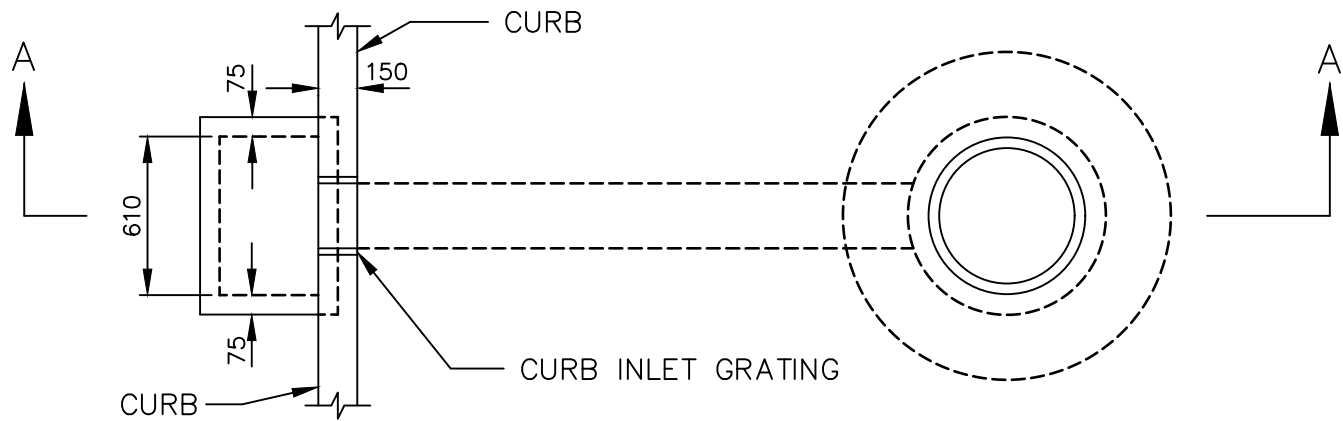
Reference Spec No.
CW 3310

**MANHOLE ISOLATION
DETAIL FOR ASPHALT
PAVEMENTS**

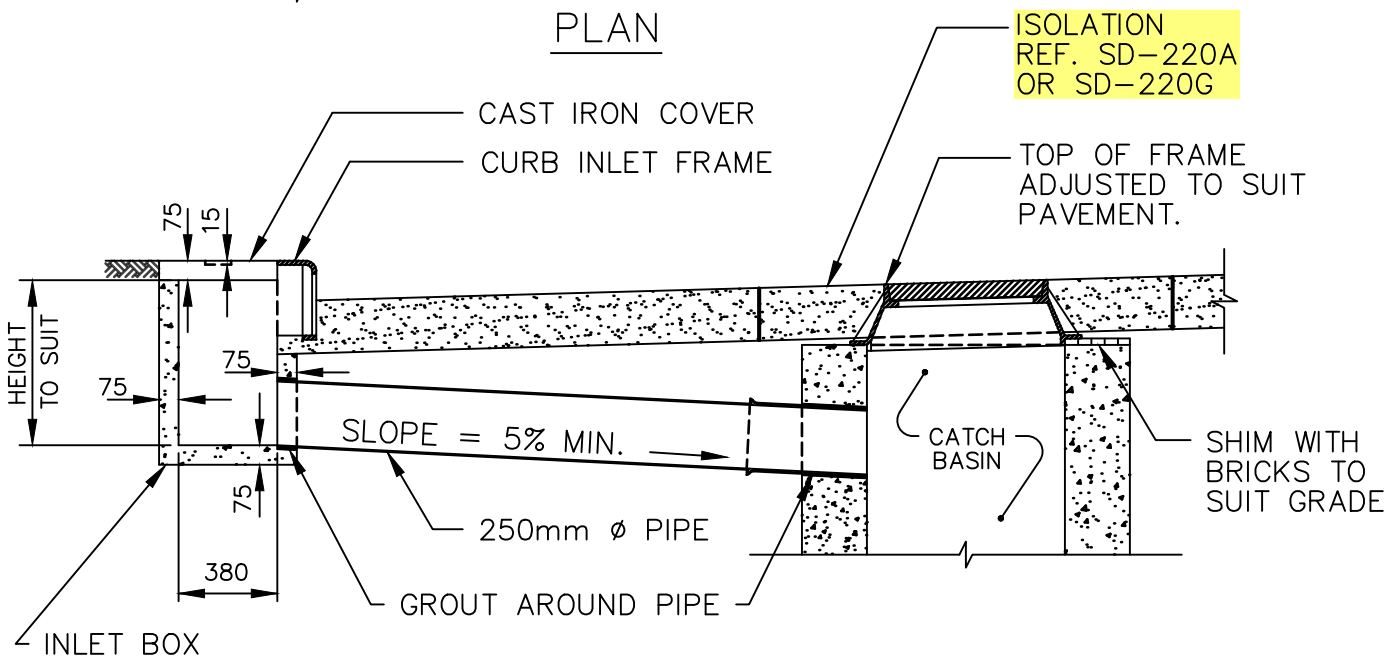
Revisions

No.	Date	Description	By

Designed By: A.G.	Drawn By: T.K.	Scale : N.T.S.
Checked By: B.K.	Date: 2026-1-15	Drawing No. SD-220G
Approved: PAVEMENT MANAGEMENT BRANCH		



PLAN



SECTION A-A

NOTE

- 1) IF INLET INTO CATCH BASIN DOES NOT EXIST, BREAK INTO THE WALL OF THE CATCH BASIN TO PROVIDE FOR INLET.
- 2) IF CATCH BASIN IS TOO CLOSE TO CURB TO INSTALL 250mm PIPE, RELOCATE CURB INLET ALONG CURB.
- 3) IF PIPE IS BELOW SUBGRADE ELEVATION, PLACE CLASS 2 FILL TO SUBGRADE ELEVATION.

DIMENSIONS IN MILLIMETRES



THE CITY OF WINNIPEG
PUBLIC WORKS DEPARTMENT

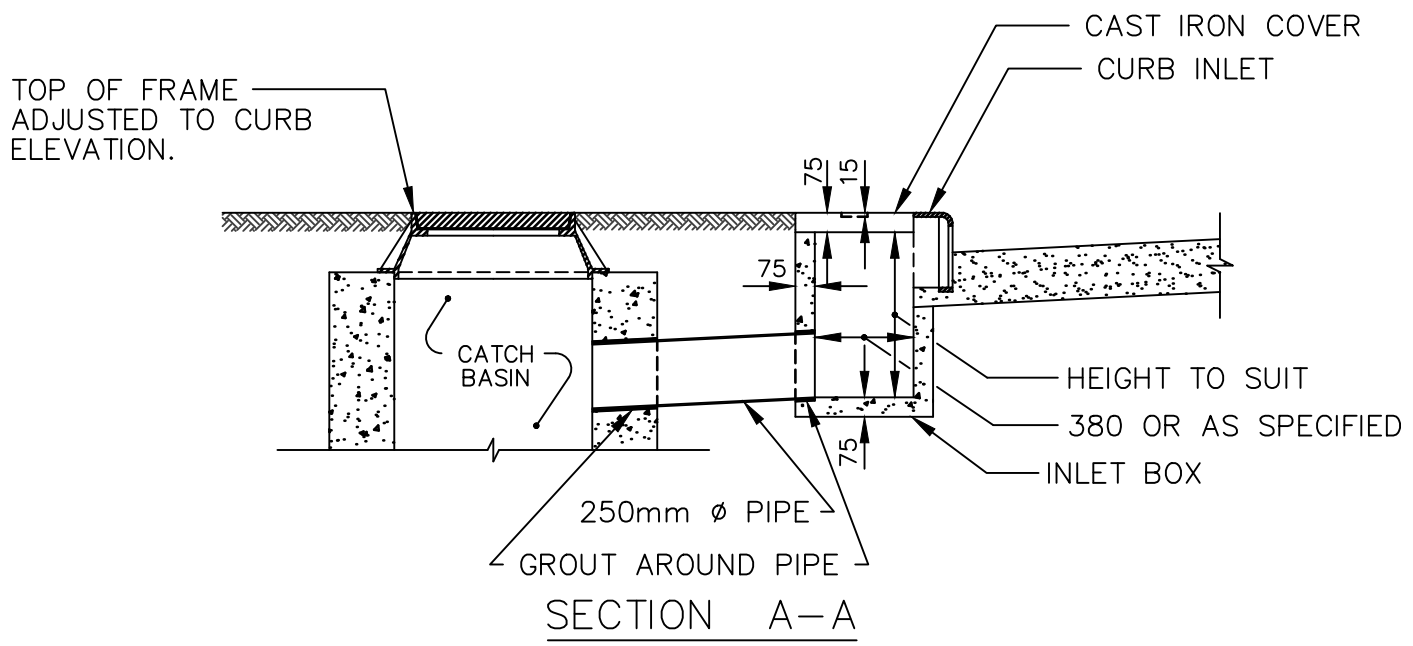
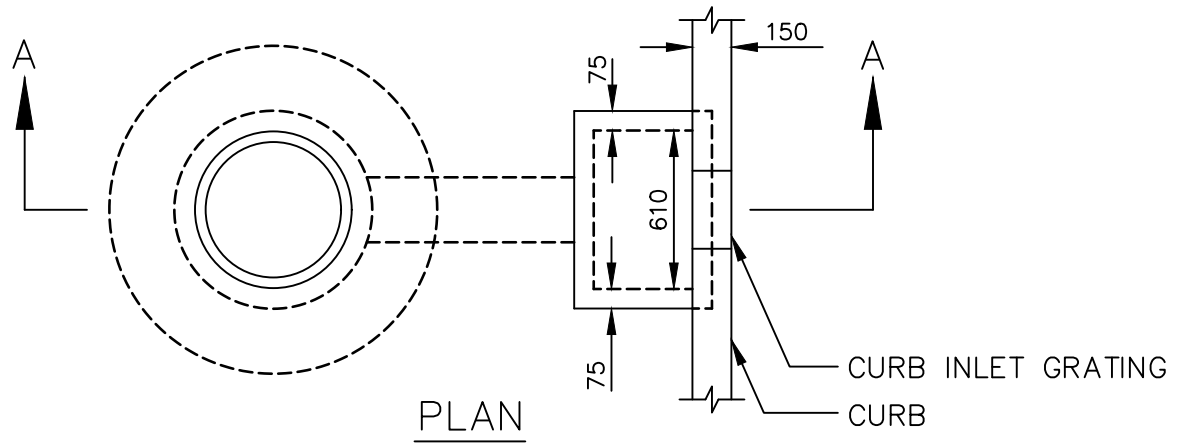
Reference Spec. No.
CW 3210, CW 3310, **CW 3410**

Revisions

No.	Date	Description	By
1.	JAN 26	GENERAL REVISION	A.G.

CURB INLET WITH
CATCH BASIN IN PAVEMENT

Designed By: L.S.W.L.	Drawn By: H.N.	Scale : N.T.S.
Checked By: D.W.D./Z.L.R.	Date: 2025-12-15	Drawing No. SD-221
Approved: PAVEMENT MANAGEMENT BRANCH		

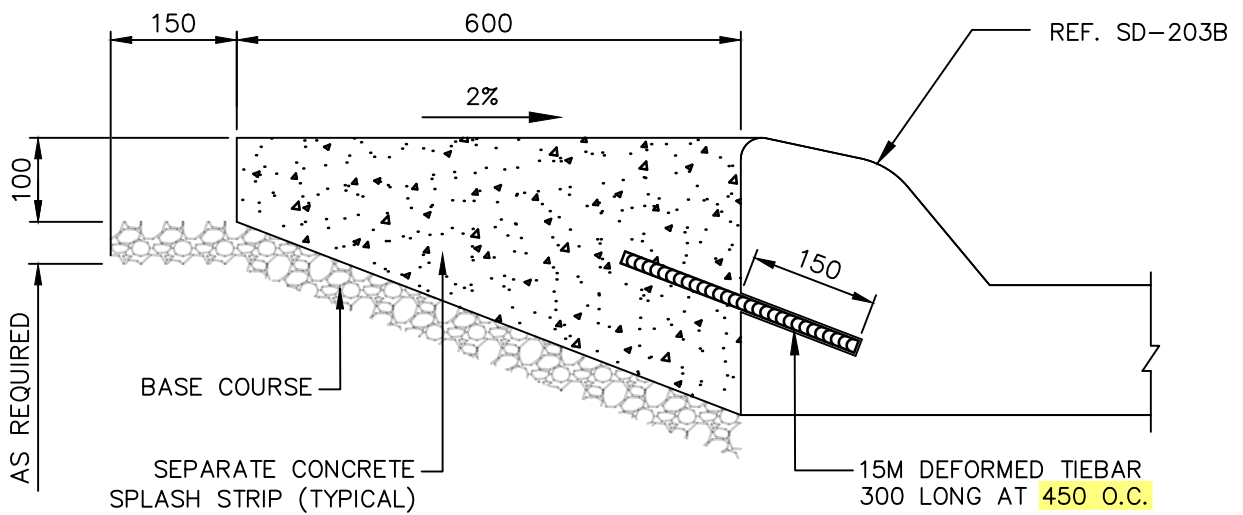
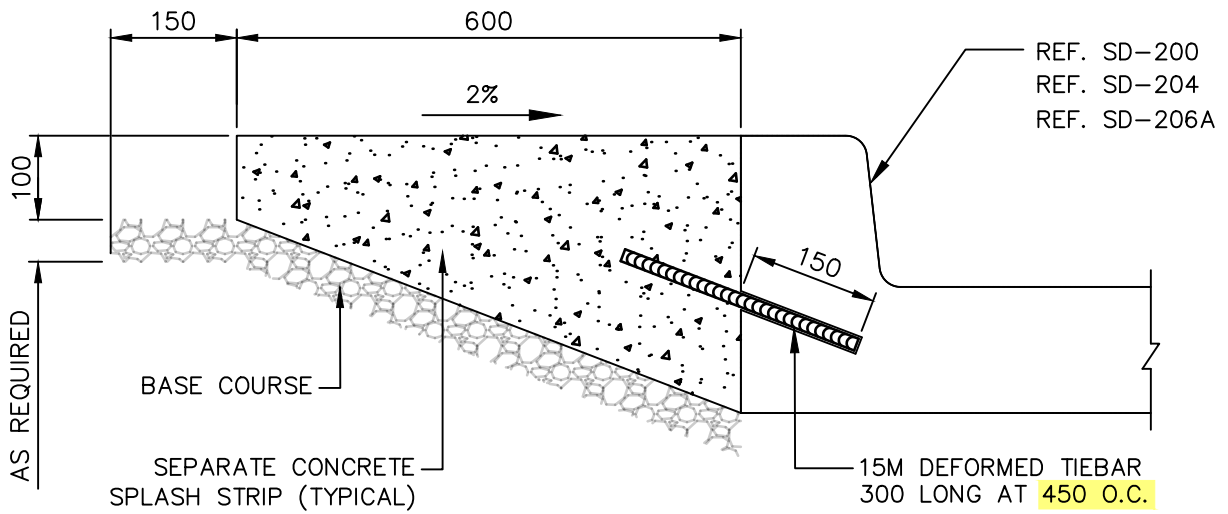


NOTE

- 1) IF INLET INTO CATCH BASIN DOES NOT EXIST, BREAK INTO THE WALL OF THE CATCH BASIN TO PROVIDE FOR INLET.
- 2) IF CATCH BASIN IS TOO CLOSE TO CURB TO INSTALL 250mm PIPE, RELOCATE CURB INLET ALONG CURB.

DIMENSIONS IN MILLIMETRES

<p>THE CITY OF WINNIPEG PUBLIC WORKS DEPARTMENT</p>	Revisions			
Reference Spec. No. CW 3210	1.	JAN 26	GENERAL REVISION	A.G.
	No.	Date	Description	By
<p>CURB INLET WITH CATCH BASIN IN BOULEVARD</p>	Designed By: L.S.W.L.		Drawn By: G.F.N.	Scale : N.T.S.
	Checked By: L.S.W.L.		Date: 2025-12-15	Drawing No.
	Approved: PAVEMENT MANAGEMENT BRANCH			SD-222



DIMENSIONS IN MILLIMETRES



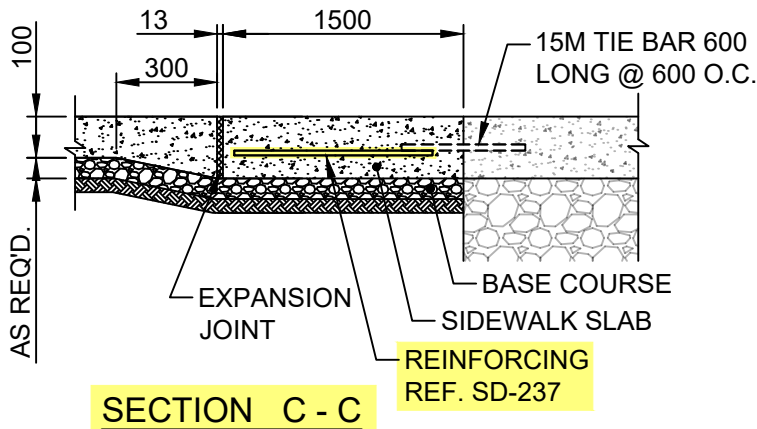
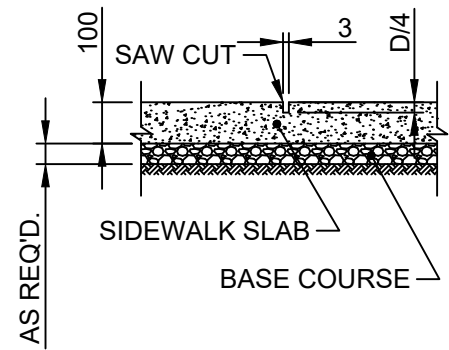
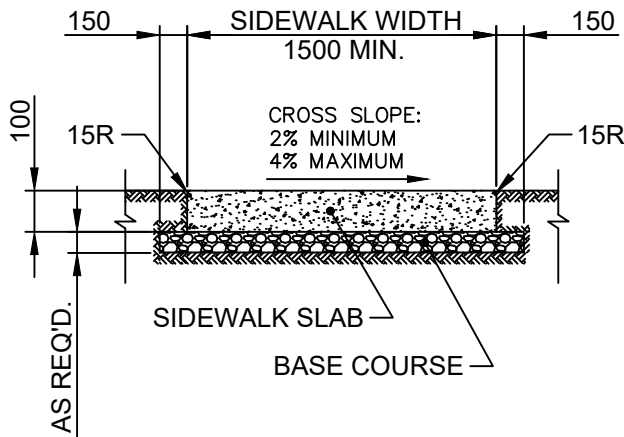
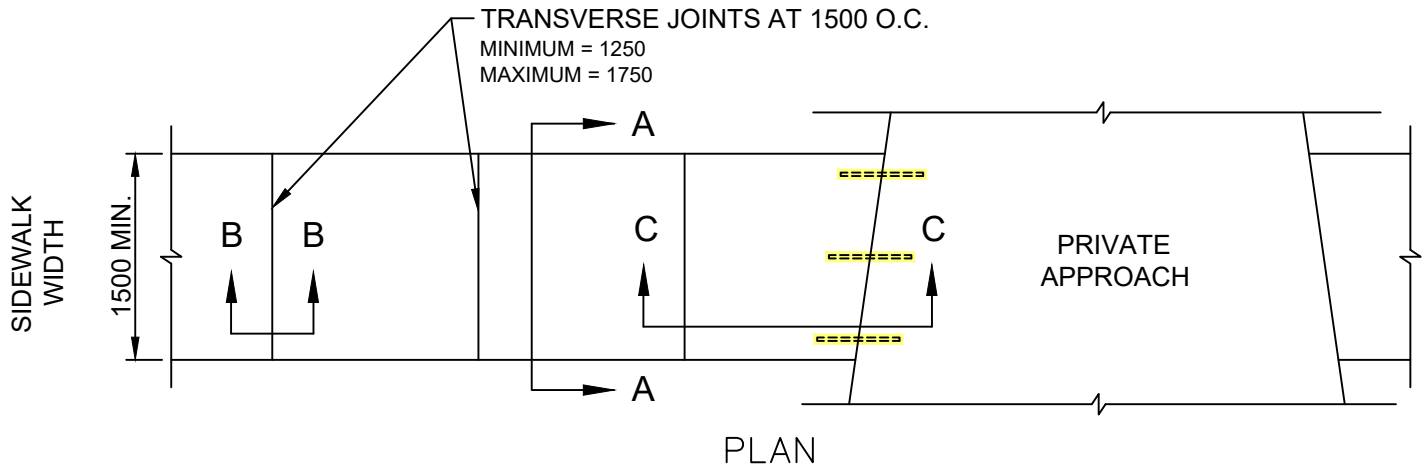
THE CITY OF WINNIPEG
PUBLIC WORKS DEPARTMENT

Reference Spec. No.
CW 3310

Revisions			
No.	Date	Description	By
1.	DEC 25	GENERAL REVISION	T.K.

SEPARATE CONCRETE
SPLASH STRIP

Designed By: A.G.	Drawn By: T.K.	Scale : N.T.S.
Checked By: B.K.	Date: 2025-12-15	Drawing No.
Approved: PAVEMENT MANAGEMENT BRANCH		SD-223B



NOTE:

1. SIDEWALK SLAB SURFACE WILL BE GIVEN A TEXTURED BROOM FINISH. NO EDGER MARKS WILL BE LEFT
2. LONGITUDINAL JOINTS AT 1500 O.C. MAXIMUM
3. FOR PRIVATE APPROACHES WITH CURBS, CURB RAMPS SHALL BE INSTALLED

DIMENSIONS IN MILLIMETRES

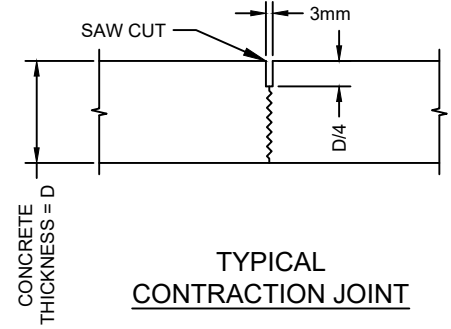
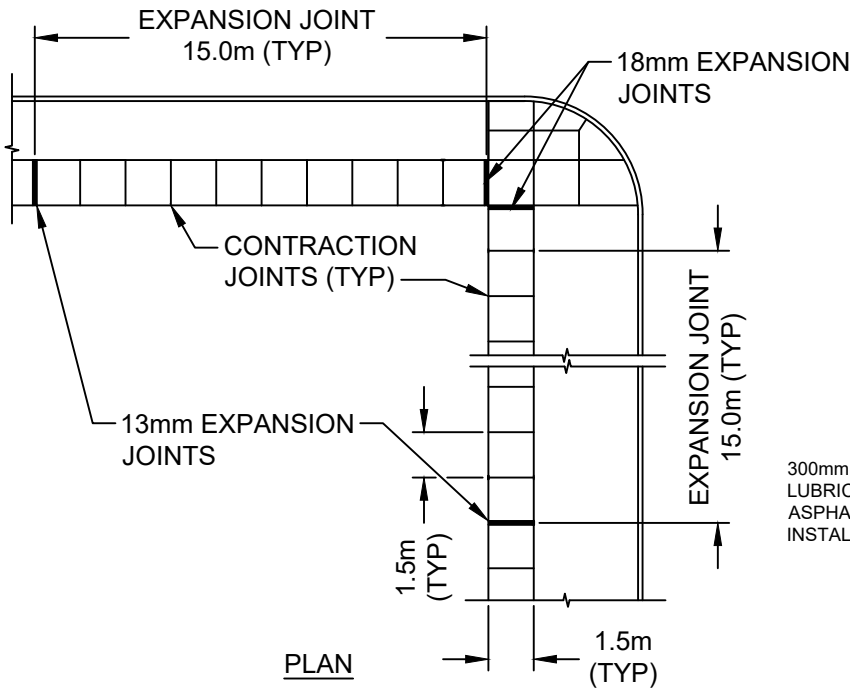


THE CITY OF WINNIPEG
PUBLIC WORKS DEPARTMENT

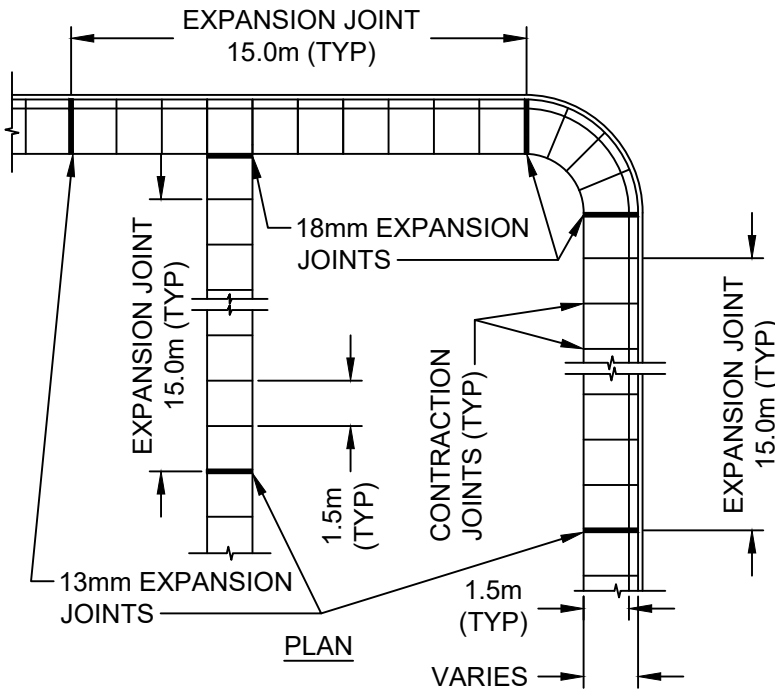
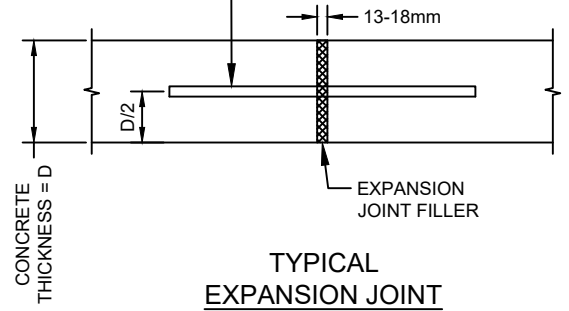
Reference Spec. No.
CW 3235, CW 3310, CW 3325

CONCRETE SIDEWALK

Revisions			
No.	Date	Description	By
1.	DEC 25	ADDED TIE BARS AND REINFORCING	T.K.
Designed By: A.G. Drawn By: R.B. Scale: N.T.S.			
Checked By: B.K. Date: 2025-12-15 Drawing No. SD-228A			
Approved: PAVEMENT MANAGEMENT BRANCH			



300mm LONG 10M DOWELS
LUBRICATED WITH
ASPHALTIC CUT-BACK,
INSTALLED 450mm O/C



NOTES:

1. IF SIDEWALK IS CONSTRUCTED DURING COLD WEATHER CONCRETING PERIOD, EXPANSION JOINTS SHALL BE INSTALLED EVERY 12.0m
2. EXPANSION JOINTS SHALL NOT BE INSTALLED WHEN CONSTRUCTING MONOLITHIC CURB AND SIDEWALK
3. EXPANSION JOINTS SHALL BE INSTALLED WHEN INSTALLING SEPARATE CONCRETE SPLASH STRIP
4. WHEN REPLACING HEAVED PANELS IN AN EXISTING SIDEWALK, EXPANSION JOINTS SHALL BE INSTALLED ON BOTH ENDS OF THE REPLACED PANELS
5. DOWELS SHALL BE DRILLED AND EXPANSION JOINT FILLER INSTALLED WHEN TYING INTO EXISTING SIDEWALK



THE CITY OF WINNIPEG
PUBLIC WORKS DEPARTMENT

Reference Spec. No.
CW 3325

Revisions

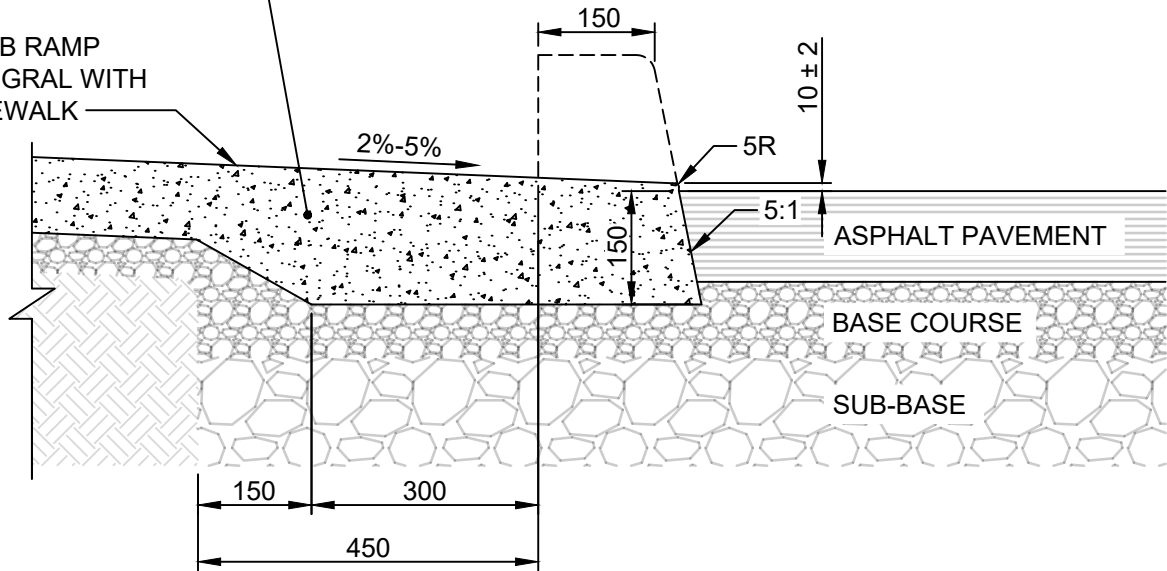
No.	Date	Description	By

SIDEWALK EXPANSION JOINTS

Designed By: A.G.	Drawn By: R.B.	Scale : N.T.S.
Checked By: B.K.	Date: 2025-12-15	Drawing No.
Approved: PAVEMENT MANAGEMENT BRANCH		SD-228D

EXISTING OR
PROPOSED SIDEWALK

CURB RAMP
INTEGRAL WITH
SIDEWALK



NOTES:

1. TRANSVERSE SAW CUT EVERY 3m OR AT PAVEMENT JOINTS
2. TRANSVERSE SAW CUTS ARE TO BE A MAXIMUM DEPTH OF 25mm
3. FACE OF CURB SHALL BE SEALED IN ACCORDANCE WITH CW 3250

DIMENSIONS IN MILLIMETRES



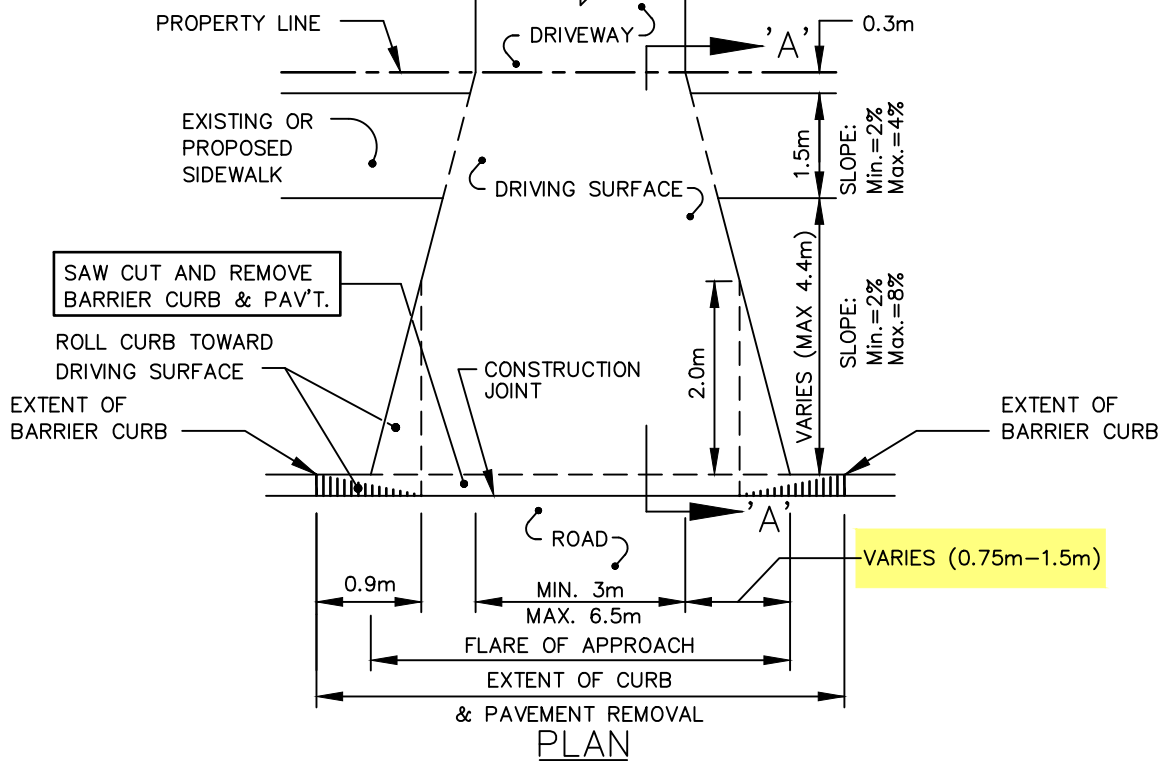
THE CITY OF WINNIPEG
PUBLIC WORKS DEPARTMENT

Reference Spec. No.
CW 3325

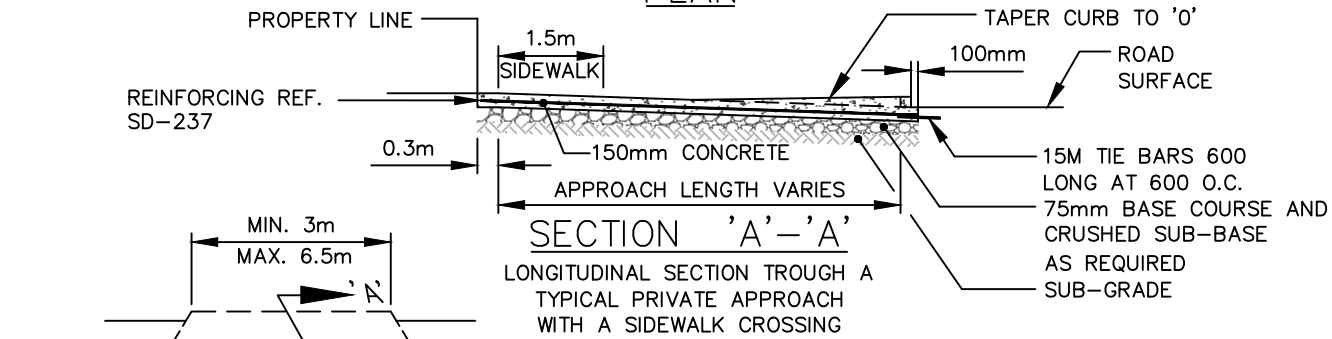
Revisions			
No.	Date	Description	By

**CURB RAMP FOR
ASPHALT PAVEMENT**

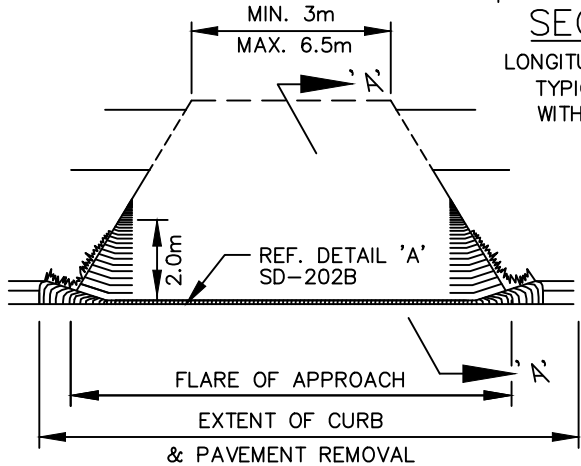
Designed By: A.G.	Drawn By: T.K.	Scale : N.T.S
Checked By: B.K.	Date: 2025-12-15	Drawing No.
Approved: PAVEMENT MANAGEMENT BRANCH		SD-229F



PLAN



SECTION 'A'-A'
LONGITUDINAL SECTION THROUGH A TYPICAL PRIVATE APPROACH WITH A SIDEWALK CROSSING



FRONTAL PERSPECTIVE OF FINISHED PRIVATE APPROACH

NOTES:

1. M.H. ISOLATIONS TO BE APPROVED BY CONTRACT ADMINISTRATOR.
2. CONTRACTION JOINT AS REQUIRED TO MATCH STREET TRANSVERSE JOINTS.



THE CITY OF WINNIPEG
PUBLIC WORKS DEPARTMENT

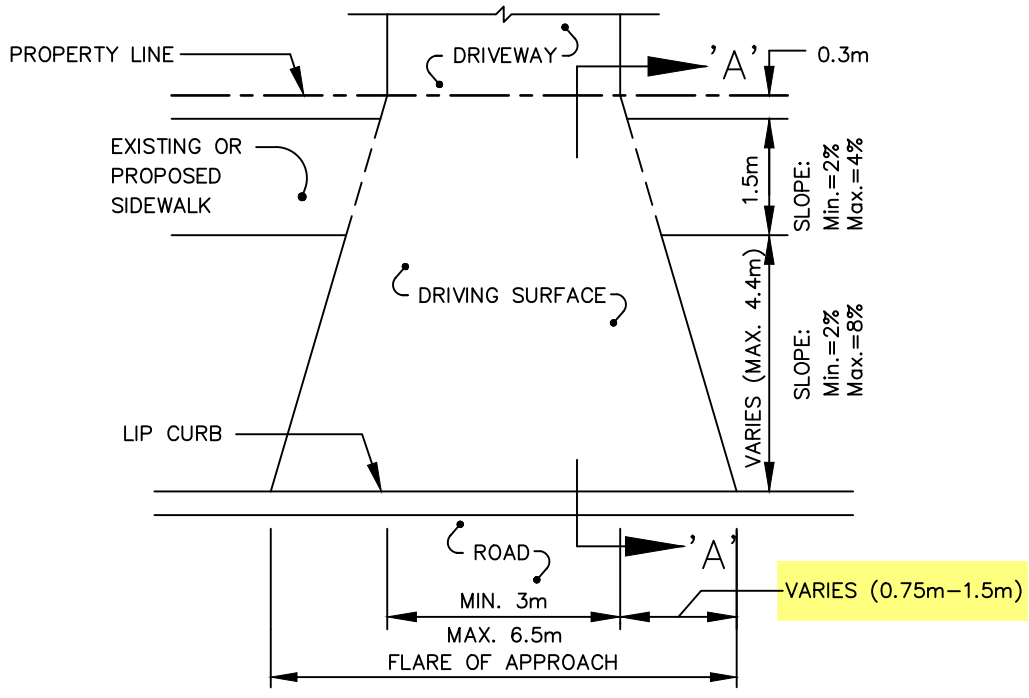
Reference Spec. No.
CW 3230, CW 3240, CW 3310

RESIDENTIAL APPROACH—CONCRETE
(WITH EXISTING BARRIER CURB)

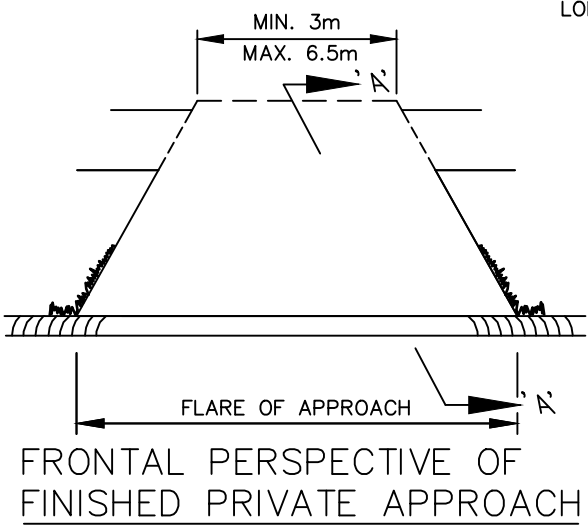
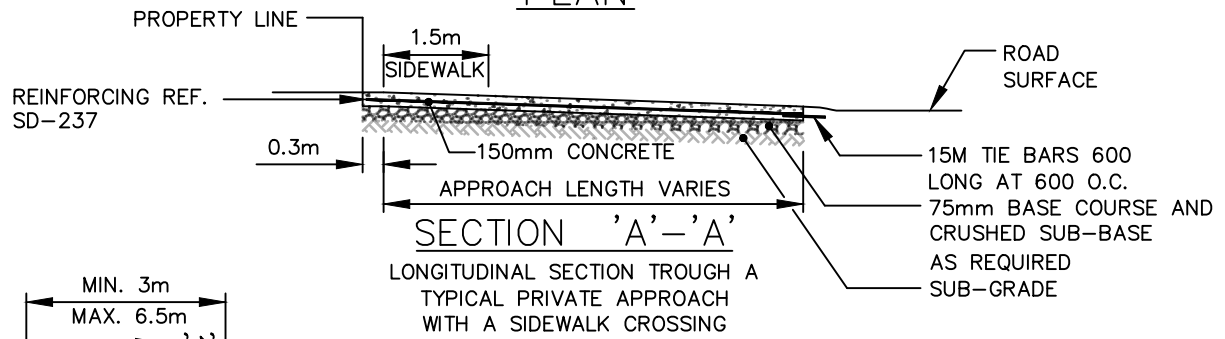
Revisions

No.	Date	Description	By
1.	DEC 25	CHANGED FLARE TO A RANGE	A.G.

Designed By: B.P.	Drawn By: T.G.A.	Scale : N.T.S.
Checked By: B.P.	Date: 2025-12-15	Drawing No.
Approved: PAVEMENT MANAGEMENT BRANCH		SD-235



PLAN



NOTES:

1. APPLICABLE FOR EXISTING LIP CURBS <80mm. IF EXISTING CURB >80mm REF SD-202B.
2. M.H. ISOLATIONS TO BE APPROVED BY CONTRACT ADMINISTRATOR.
3. CONTRACTION JOINTS AS REQUIRED TO MATCH STREET.



THE CITY OF WINNIPEG
PUBLIC WORKS DEPARTMENT

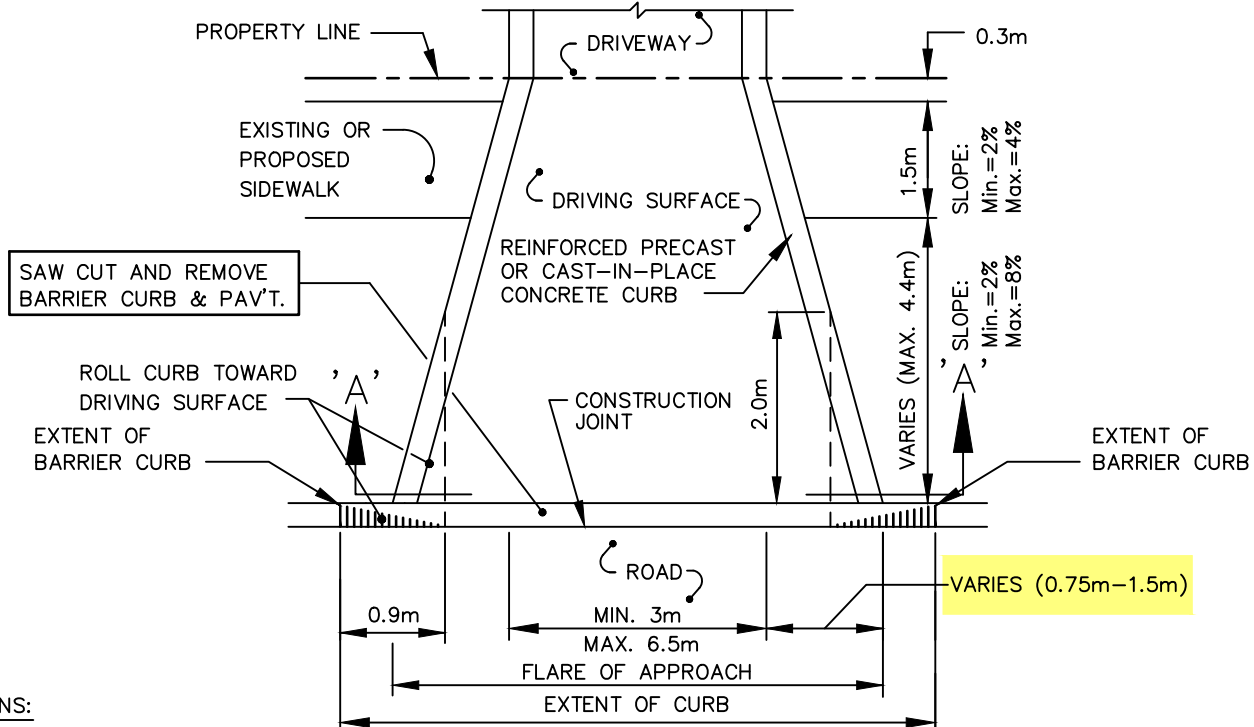
Reference Spec. No.
CW 3230, CW 3310, CW 3240

RESIDENTIAL APPROACH-CONCRETE
(WITH EXISTING LIP CURB)

Revisions

No.	Date	Description	By
1.	DEC 25	CHANGED FLARE TO A RANGE	A.G.

Designed By: D.P.	Drawn By: T.K.	Scale : N.T.S.
Checked By: B.P.	Date: 2025-12-15	
Approved: SURFACE WORKS COMMITTEE		Drawing No. SD-236

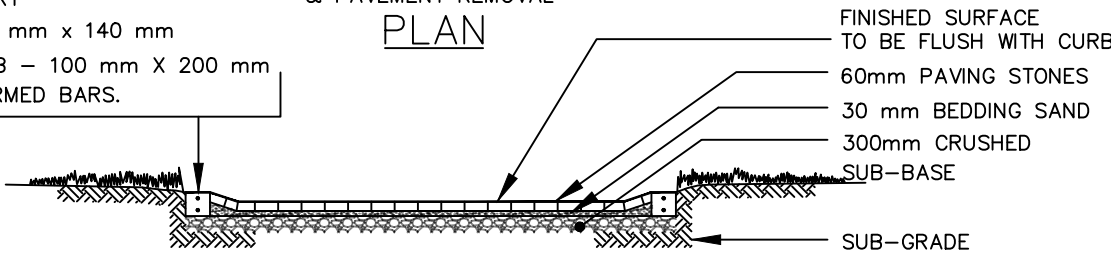


VARIES (0.75m-1.5m)

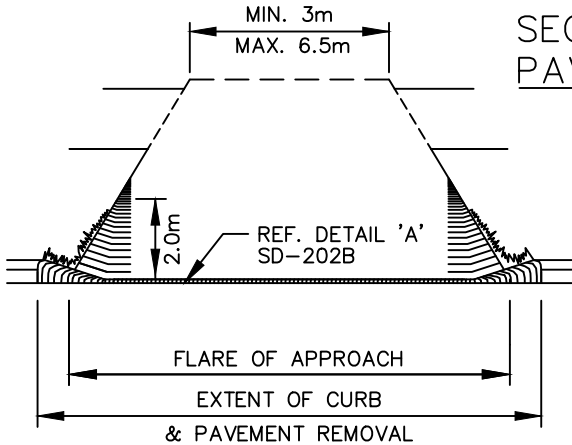
OPTIONS:

1. PLASTIC EDGE SUPPORT
2. PRECAST CURB - 65 mm x 140 mm
3. CAST-IN-PLACE CURB - 100 mm X 200 mm WITH TWO 15M DEFORMED BARS.

PLAN



SECTION 'A'- 'A' FOR PAVING STONE APPROACH



FRONTAL PERSPECTIVE OF FINISHED PRIVATE APPROACH

NOTES:

1. M.H. ISOLATIONS TO BE APPROVED BY CONTRACT ADMINISTRATOR.



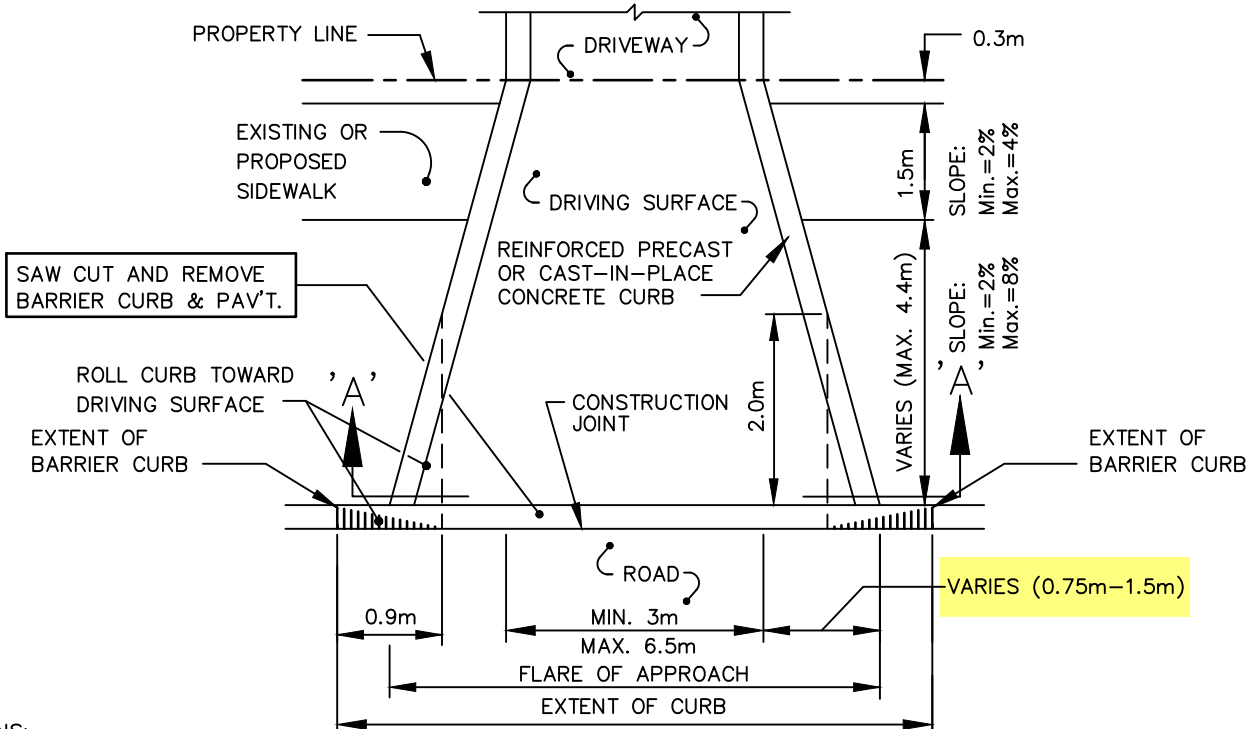
THE CITY OF WINNIPEG
PUBLIC WORKS DEPARTMENT

Reference Spec. No.
CW 3230, CW 3240, CW 3310, CW 3330

Revisions			
No.	Date	Description	By
1.	DEC 25	CHANGED FLARE TO A RANGE	A.G.

RESIDENTIAL APPROACH-PAVING STONE
(WITH EXISTING BARRIER CURB)

Designed By: A.P.	Drawn By: T.K.	Scale : N.T.S.
Checked By: D.R.K.	Date: 2025-12-15	Drawing No.
Approved: PAVEMENT MANAGEMENT BRANCH		SD-237A

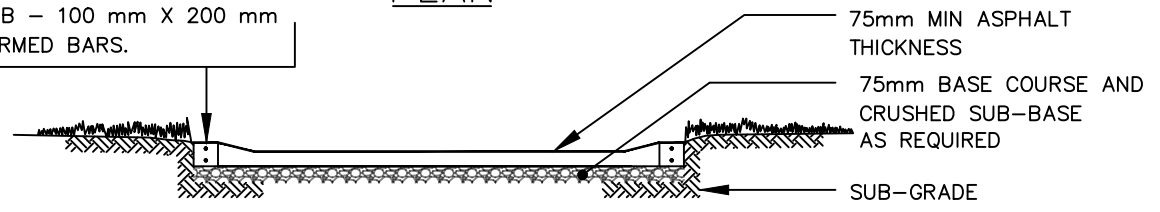


VARIES (0.75m-1.5m)

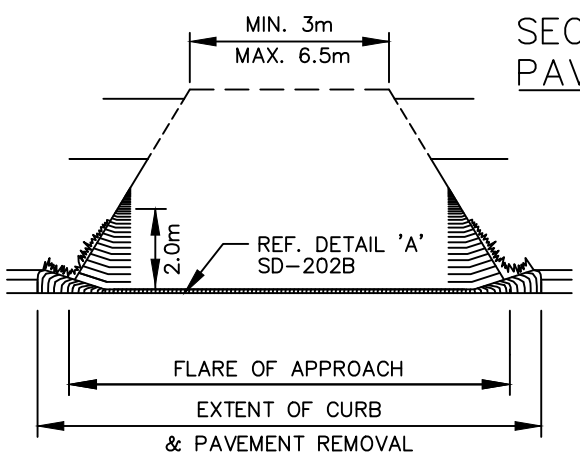
OPTIONS:

1. PRECAST CURB - 65 mm x 140 mm
2. CAST-IN-PLACE CURB - 100 mm X 200 mm WITH TWO 15M DEFORMED BARS.

PLAN



SECTION 'A'-'A' FOR PAVING STONE APPROACH



FRONTAL PERSPECTIVE OF FINISHED PRIVATE APPROACH

NOTES:

1. M.H. ISOLATIONS TO BE APPROVED BY CONTRACT ADMINISTRATOR.



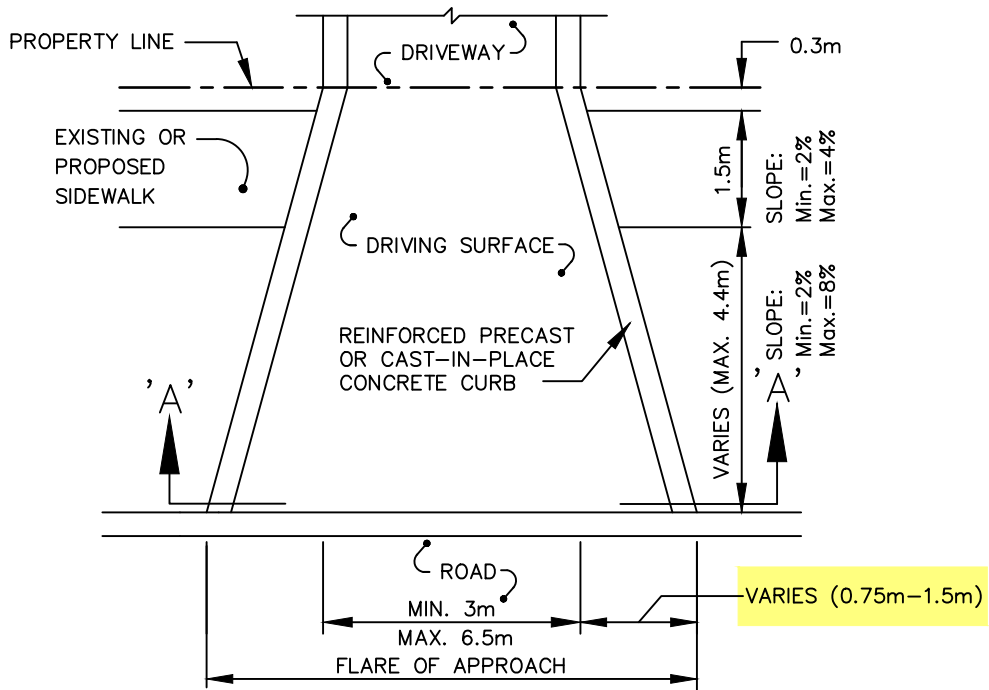
THE CITY OF WINNIPEG
PUBLIC WORKS DEPARTMENT

Reference Spec. No.
CW 3230, CW 3240, CW 3310, CW 3330, CW 3410

Revisions			
No.	Date	Description	By
1.	DEC 25	CHANGED FLARE TO A RANGE	A.G.

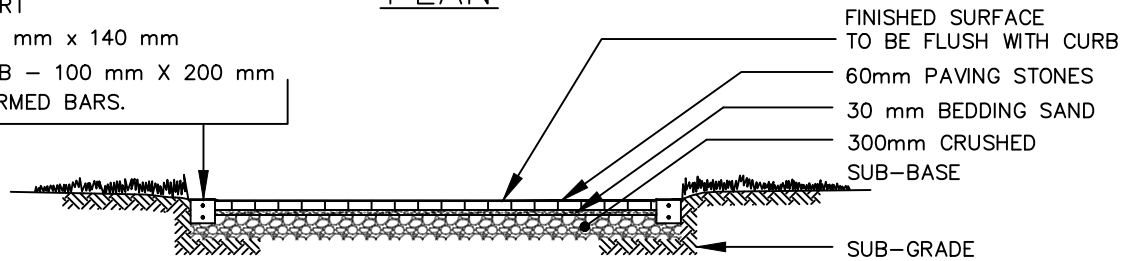
RESIDENTIAL APPROACH-ASPHALT
(WITH EXISTING BARRIER CURB)

Designed By: A.P.	Drawn By: T.K.	Scale : N.T.S.
Checked By: D.R.K.	Date: 2025-12-15	Drawing No.
Approved: PAVEMENT MANAGEMENT BRANCH		SD-237B

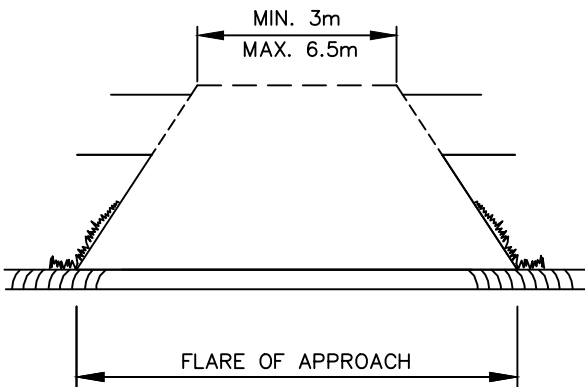


OPTIONS:

1. PLASTIC EDGE SUPPORT
2. PRECAST CURB – 65 mm x 140 mm
3. CAST-IN-PLACE CURB – 100 mm X 200 mm WITH TWO 15M DEFORMED BARS.



SECTION 'A'-'A' FOR PAVING STONE APPROACH



FRONTAL PERSPECTIVE OF FINISHED PRIVATE APPROACH

NOTES:

1. APPLICABLE FOR EXISTING LIP CURBS <80mm. IF EXISTING CURB >80mm REF SD-202B.
2. M.H. ISOLATIONS TO BE APPROVED BY CONTRACT ADMINISTRATOR.



THE CITY OF WINNIPEG
PUBLIC WORKS DEPARTMENT

Reference Spec. No.
CW 3230, CW 3310, CW 3330, CW 3410

Revisions

No.	Date	Description	By
1.	DEC 25	CHANGED FLARE TO A RANGE	A.G.

RESIDENTIAL APPROACH-PAVING STONE
(WITH EXISTING LIP CURB)

Designed By:
L.S.W.L.

Drawn By:
T.K.

Scale :
N.T.S.

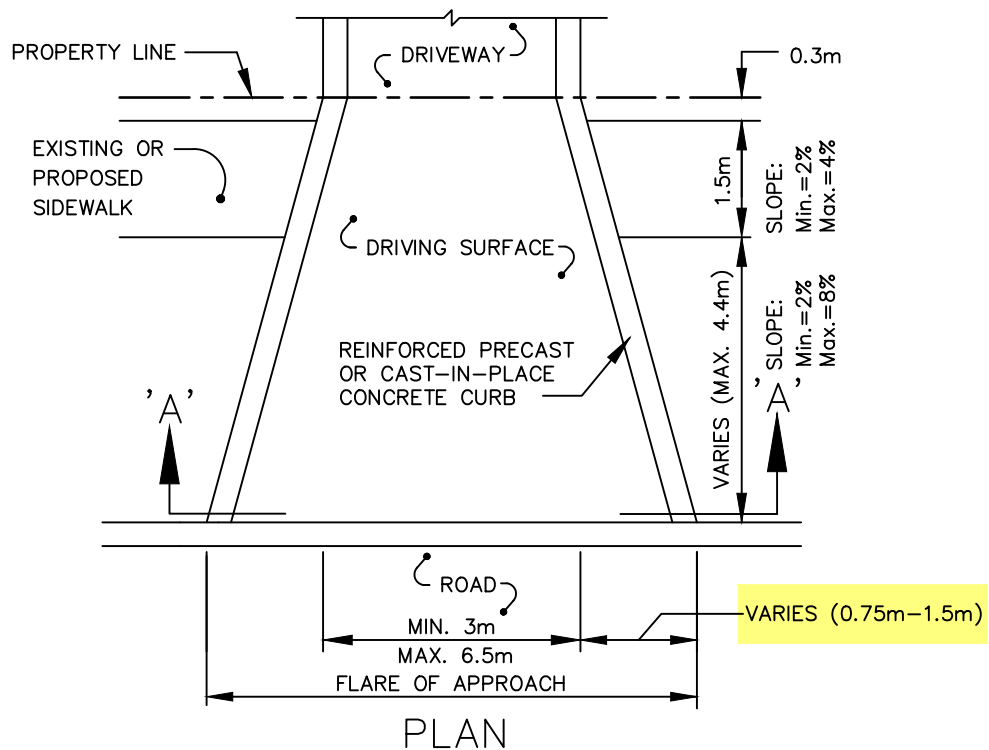
Checked By:
D.R.K.

Date:
2025-12-15

Drawing No.

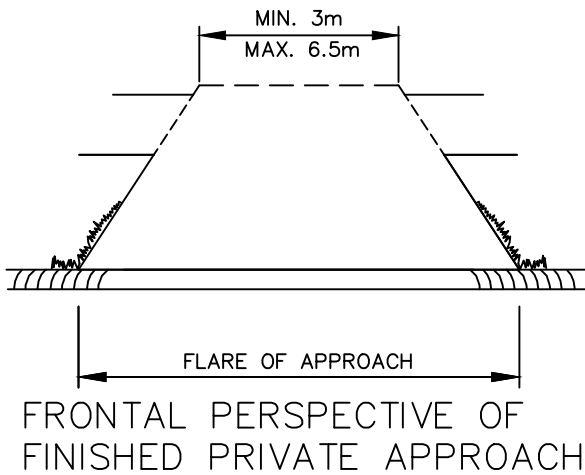
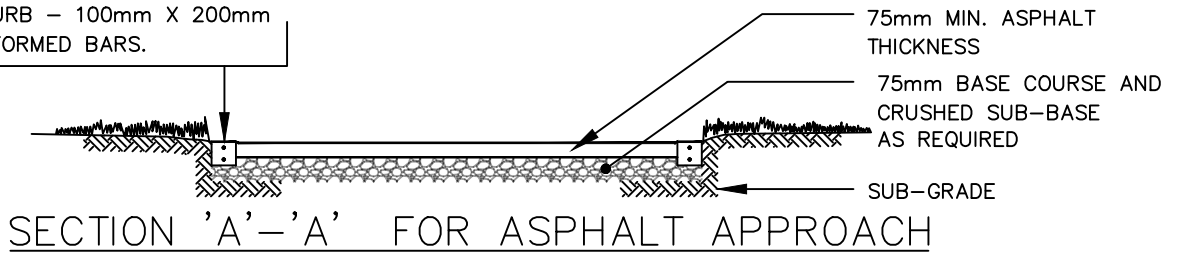
Approved:
PAVEMENT MANAGEMENT BRANCH

SD-238A



OPTIONS:

1. PRECAST CURB - 65mm x 140mm
2. CAST-IN-PLACE CURB - 100mm X 200mm WITH TWO 15M DEFORMED BARS.



NOTES:

1. APPLICABLE FOR EXISTING LIP CURBS <80mm. IF EXISTING CURB >80mm REF SD-202B.
2. M.H. ISOLATIONS TO BE APPROVED BY CONTRACT ADMINISTRATOR.



THE CITY OF WINNIPEG
PUBLIC WORKS DEPARTMENT

Reference Spec. No.
CW 3230, CW 3310, CW 3330, CW 3410

Revisions

No.	Date	Description	By
1.	DEC 25	CHANGED FLARE TO A RANGE	A.G.

RESIDENTIAL APPROACH-ASPHALT
(WITH EXISTING LIP CURB)

Designed By:
L.S.W.L.

Drawn By:
T.K.

Scale :
N.T.S.

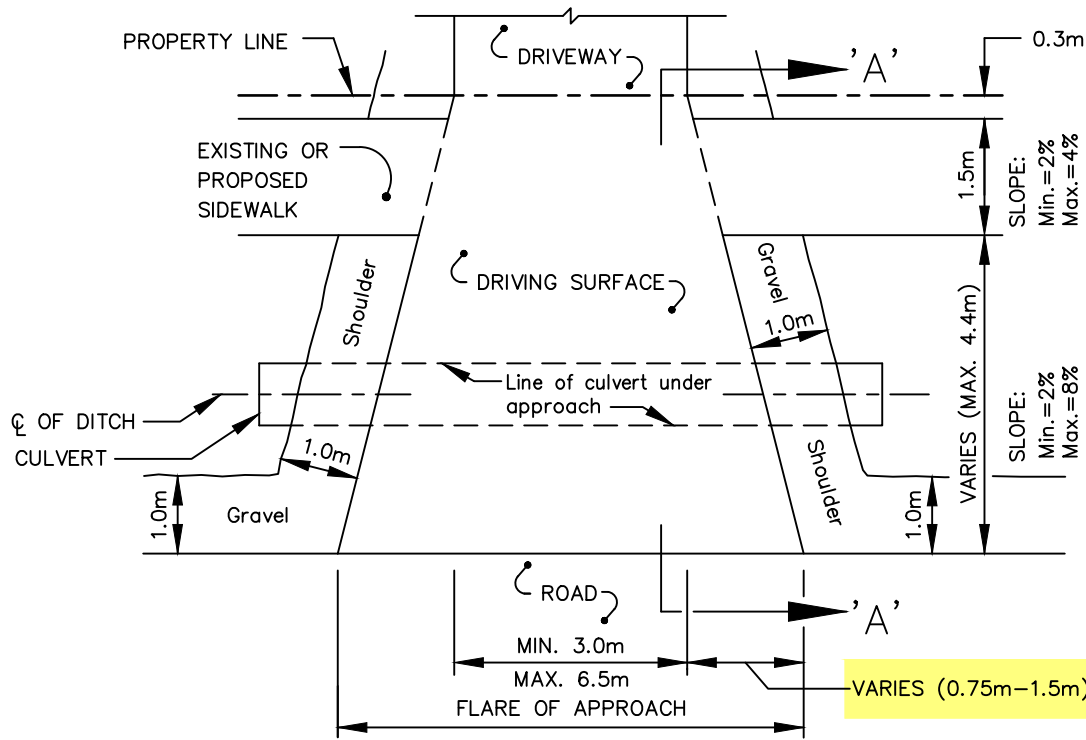
Checked By:
D.R.K.

Date:
2025-12-15

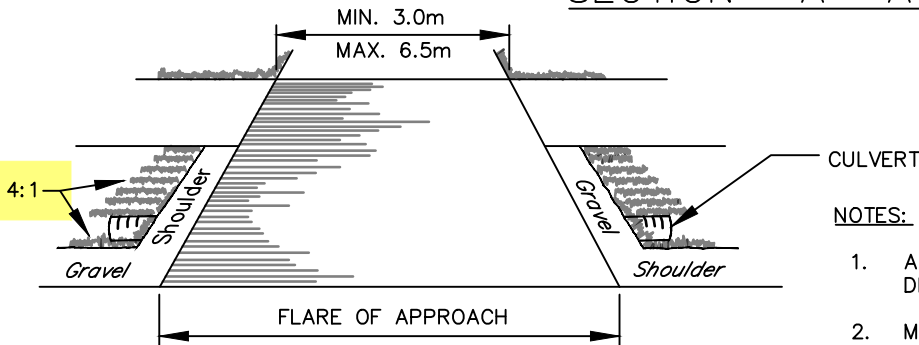
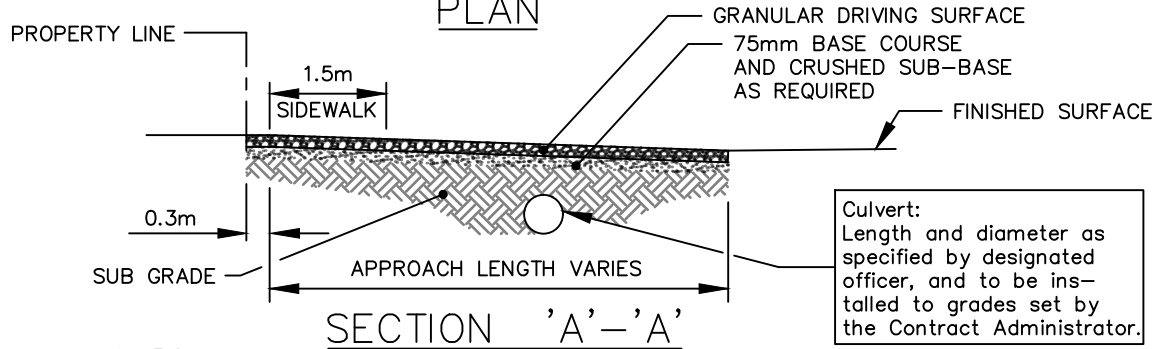
Drawing No.

Approved:
PAVEMENT MANAGEMENT BRANCH

SD-238B



PLAN



FRONTAL PERSPECTIVE OF FINISHED PRIVATE APPROACH

NOTES:

1. APPLICABLE FOR EXISTING GRAVEL STREETS WITH DITCHES.
2. M.H. ISOLATIONS TO BE APPROVED BY CONTRACT ADMINISTRATOR.
3. SEE SD-234 FOR DETAILS OF THE APPLICABLE DRIVING SURFACE



THE CITY OF WINNIPEG
PUBLIC WORKS DEPARTMENT

Reference Spec. No.
CW 3230, CW 3310, CW 3410, CW 3610

Revisions

No.	Date	Description	By
1.	DEC 25	CHANGED FLARE TO A RANGE	A.G.

RESIDENTIAL APPROACH - WITH
DITCH DRAINAGE

Designed By:
B.P.

Drawn By:
T.K.

Scale :
N.T.S.

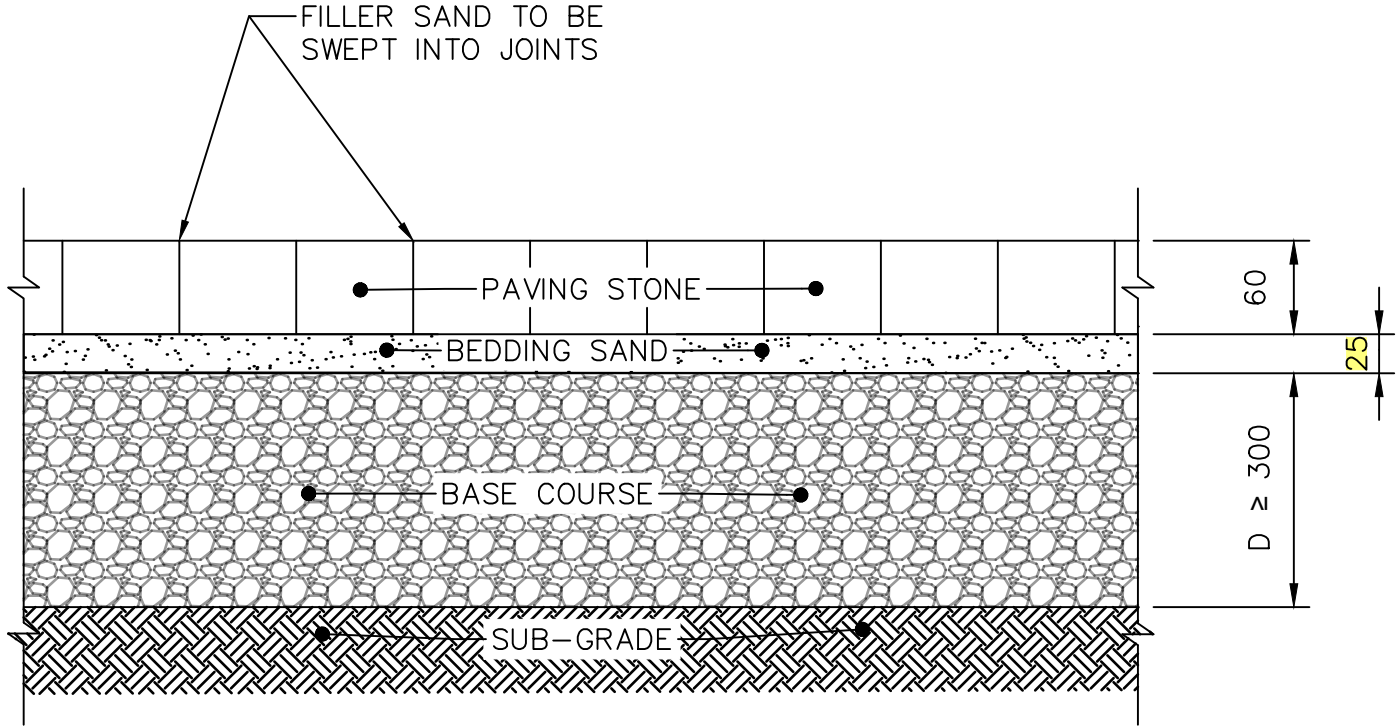
Checked By:
B.P.

Date:
2025-05-12

Drawing No.

Approved:
PAVEMENT MANAGEMENT BRANCH

SD-239



DIMENSIONS IN MILLIMETRES



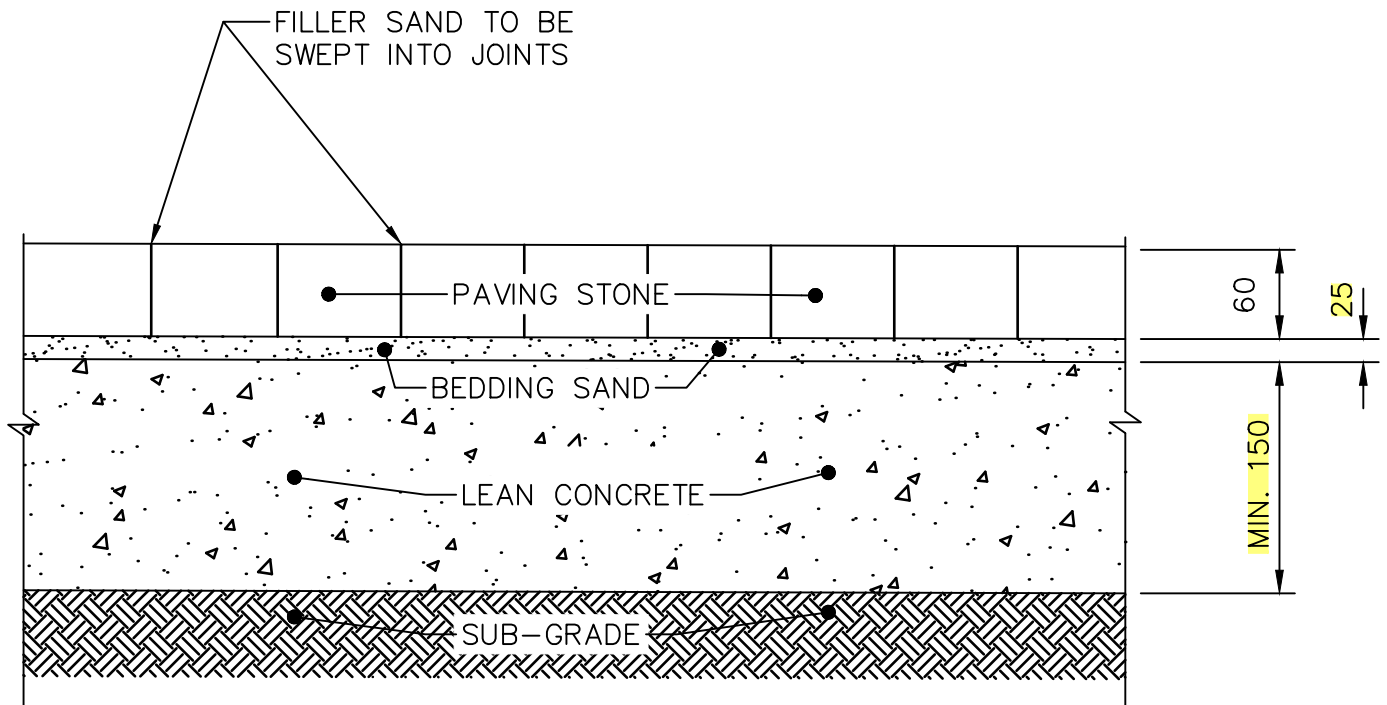
THE CITY OF WINNIPEG
PUBLIC WORKS DEPARTMENT

Reference Spec. No.
CW 3110, CW 3330

Revisions			
No.	Date	Description	By
1.	DEC 25	GENERAL REVISION	R.B.

INTERLOCKING PAVING STONE DETAIL
FOR RESIDENTIAL APPROACHES

Designed By: A.G.	Drawn By: R.B.	Scale : N.T.S.
Checked By: B.K.	Date: 2025-12-15	Drawing No.
Approved: PAVEMENT MANAGEMENT BRANCH		SD-240A



DIMENSIONS IN MILLIMETRES



THE CITY OF WINNIPEG
PUBLIC WORKS DEPARTMENT

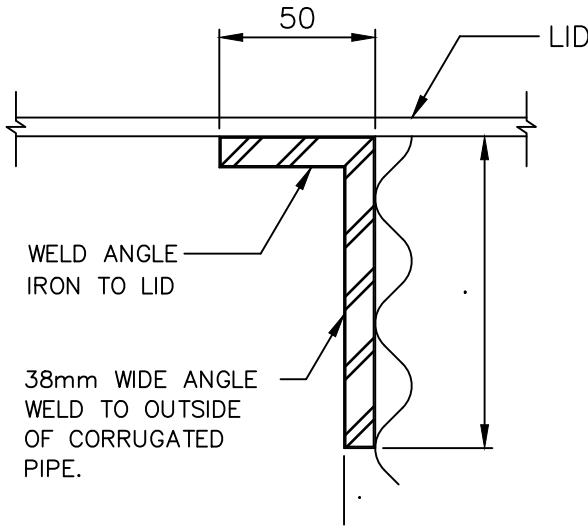
Reference Spec. No.
CW 3110, CW 3335

Revisions

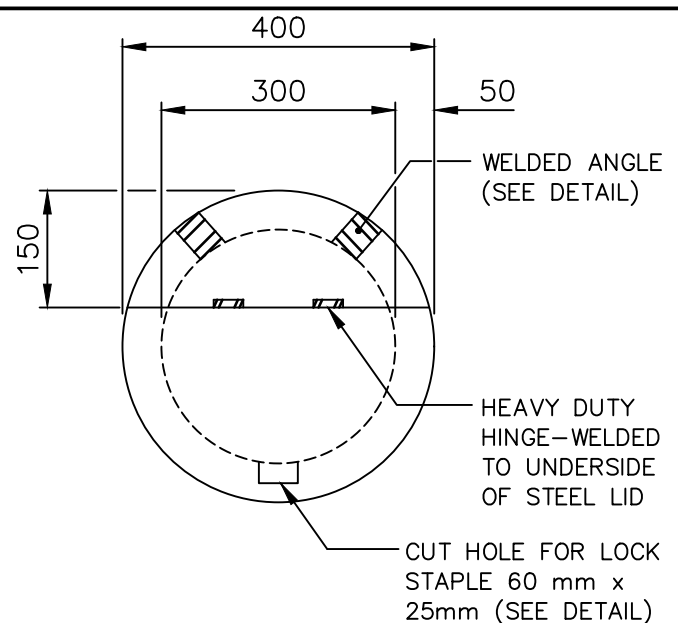
No.	Date	Description	By
1.	DEC 25	GENERAL REVISION	A.G.

INTERLOCKING PAVING STONES
ON LEAN CONCRETE BASE
(NON DRIVING SURFACE)

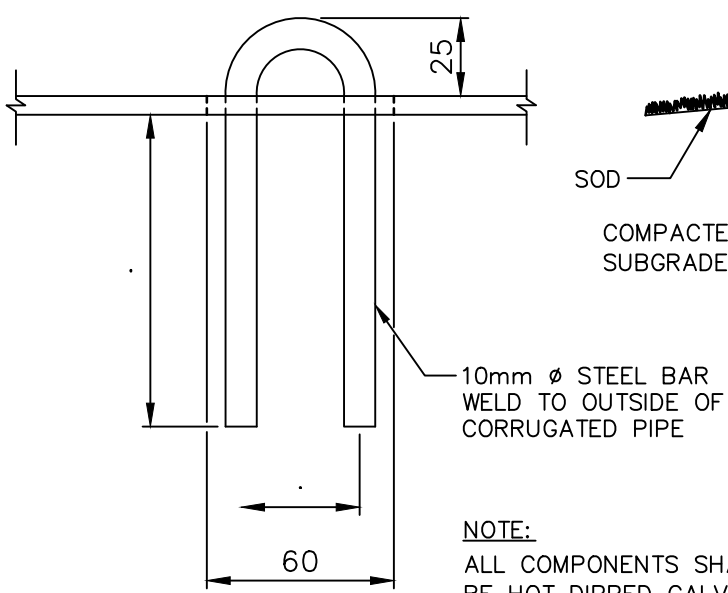
Designed By: Z.V.K.	Drawn By: R.B.	Scale : N.T.S.
Checked By: L.S.W.L.	Date: 2025-12-15	Drawing No.
Approved: PAVEMENT MANAGEMENT BRANCH		SD-240B



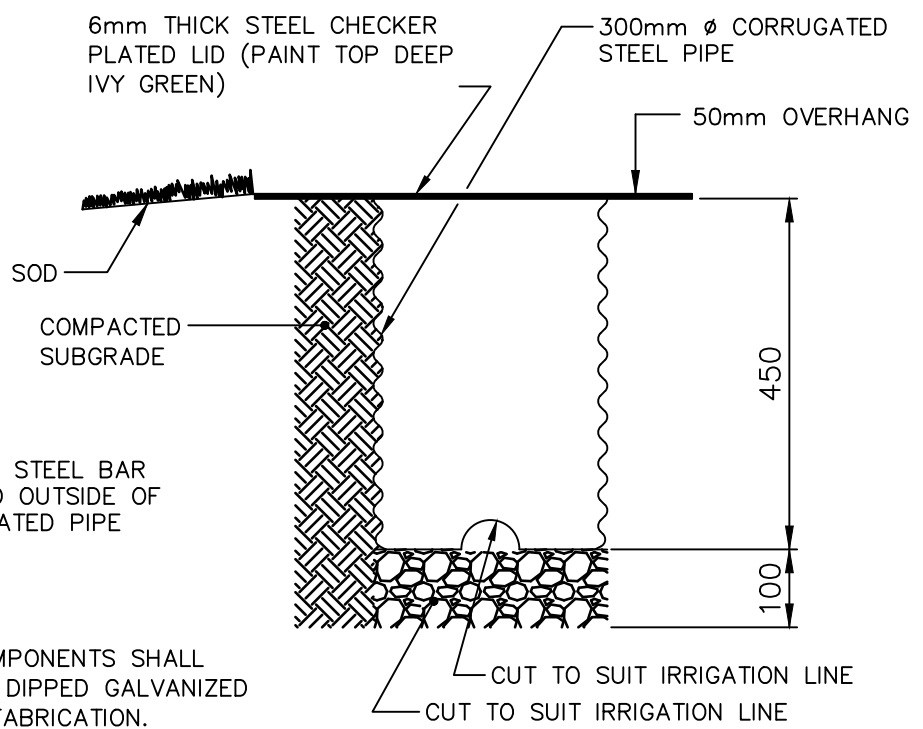
ANGLE DETAIL



PLAN



LOCK STAPLE DETAIL



SECTION

DIMENSIONS IN MILLIMETRES



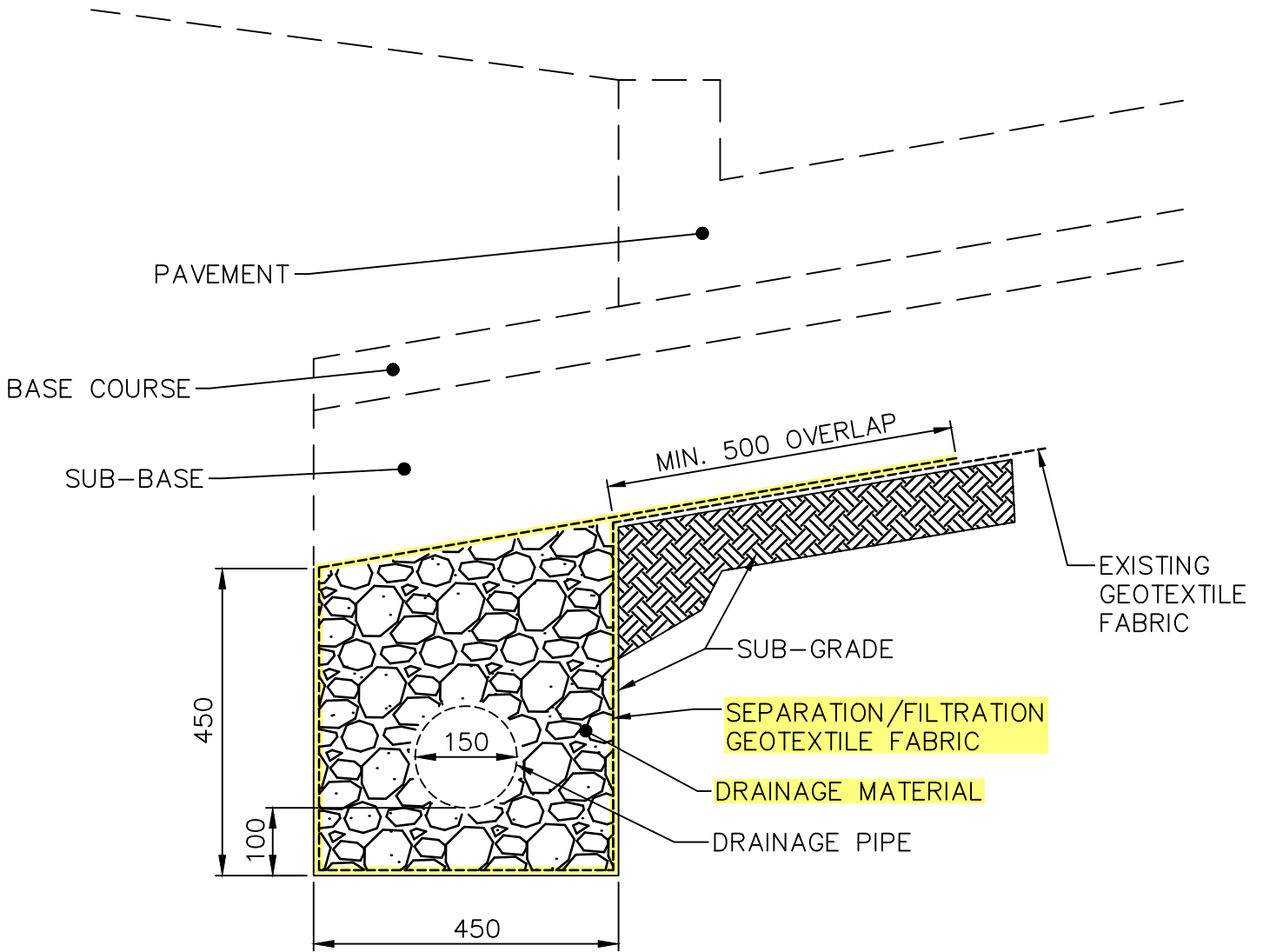
THE CITY OF WINNIPEG
PUBLIC WORKS DEPARTMENT

Reference Spec. No.
CW 3530

Revisions			
No.	Date	Description	By
1.	DEC 25	GENERAL REVISION	R.B.

C.S.P. ENCLOSURE FOR GATE VALVE

Designed By: R.G.Z.	Drawn By: G.R.	Scale : N.T.S.
Checked By: J.P.T.	Date: 2025-12-15	Drawing No.
Approved: PAVEMENT MANAGEMENT BRANCH		SD-242



DIMENSIONS IN MILLIMETERS



THE CITY OF WINNIPEG
PUBLIC WORKS DEPARTMENT

Reference Spec. No.
CW 3110, CW 3120, CW 3130

Revisions

No.	Date	Description	By
1.	DEC 25	GENERAL REVISION	A.G.

SUBDRAIN INSTALLATION
DETAIL

Designed By: B.P.	Drawn By: R.B.	Scale : N.T.S.
Checked By: A.G.	Date: 2025-12-15	Drawing No.
Approved: PAVEMENT MANAGEMENT BRANCH		SD-245