

Notes

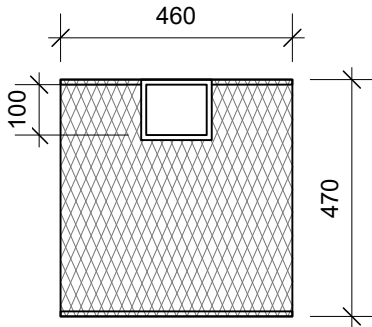
- 1. Metal Slat Waste Receptacle with glavanized finish: Product #52501063GLV
- 2. Wire Basket with galvanized finish: Product #52501063GLVi

Drawing Title:

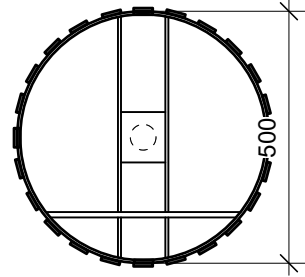
**Waste Receptacle
Side Opening Metal Slat Type**

Drawing Number:

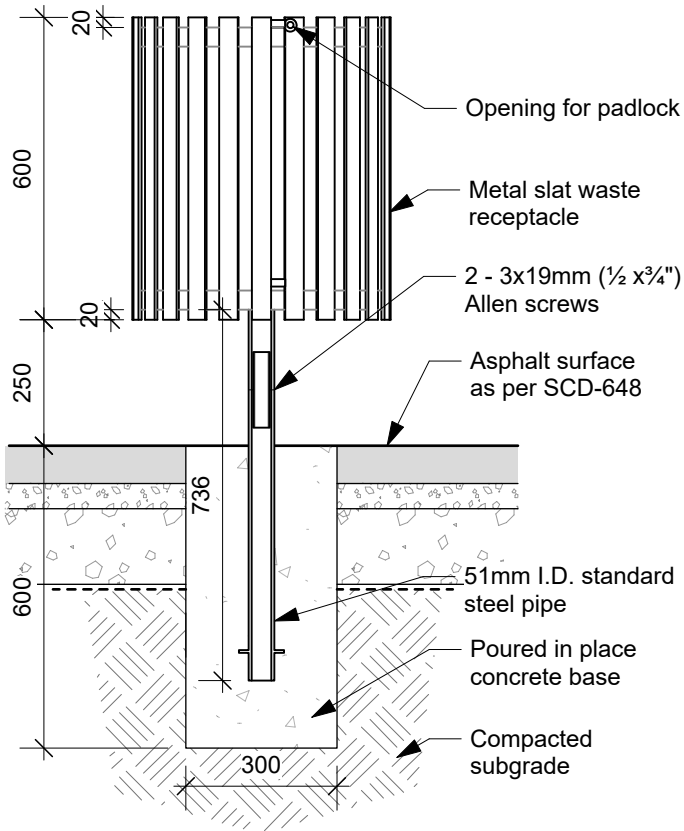
SCD-119



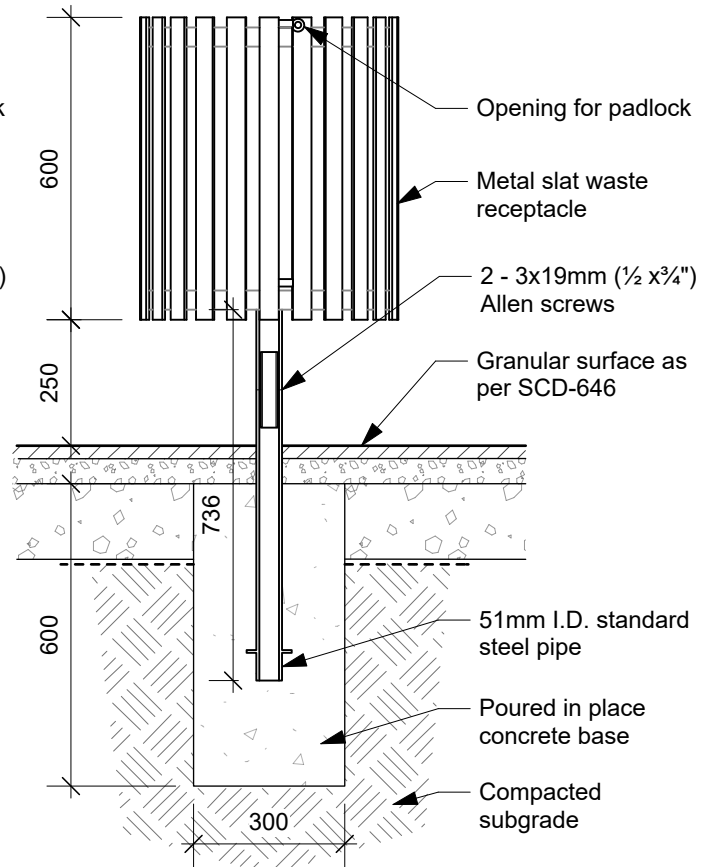
Wire Basket



Plan



Section - Asphalt



Section - Granular

Dimensions shown are in millimetres unless otherwise specified

Revision: 5
Date: January 2026
Scale: NTS
Drawn by: MG

The City of Winnipeg
Planning, Property & Development Department
Urban Planning & Design
Unit 15 - 30 Fort Street, Winnipeg, MB, R3C 4X5

