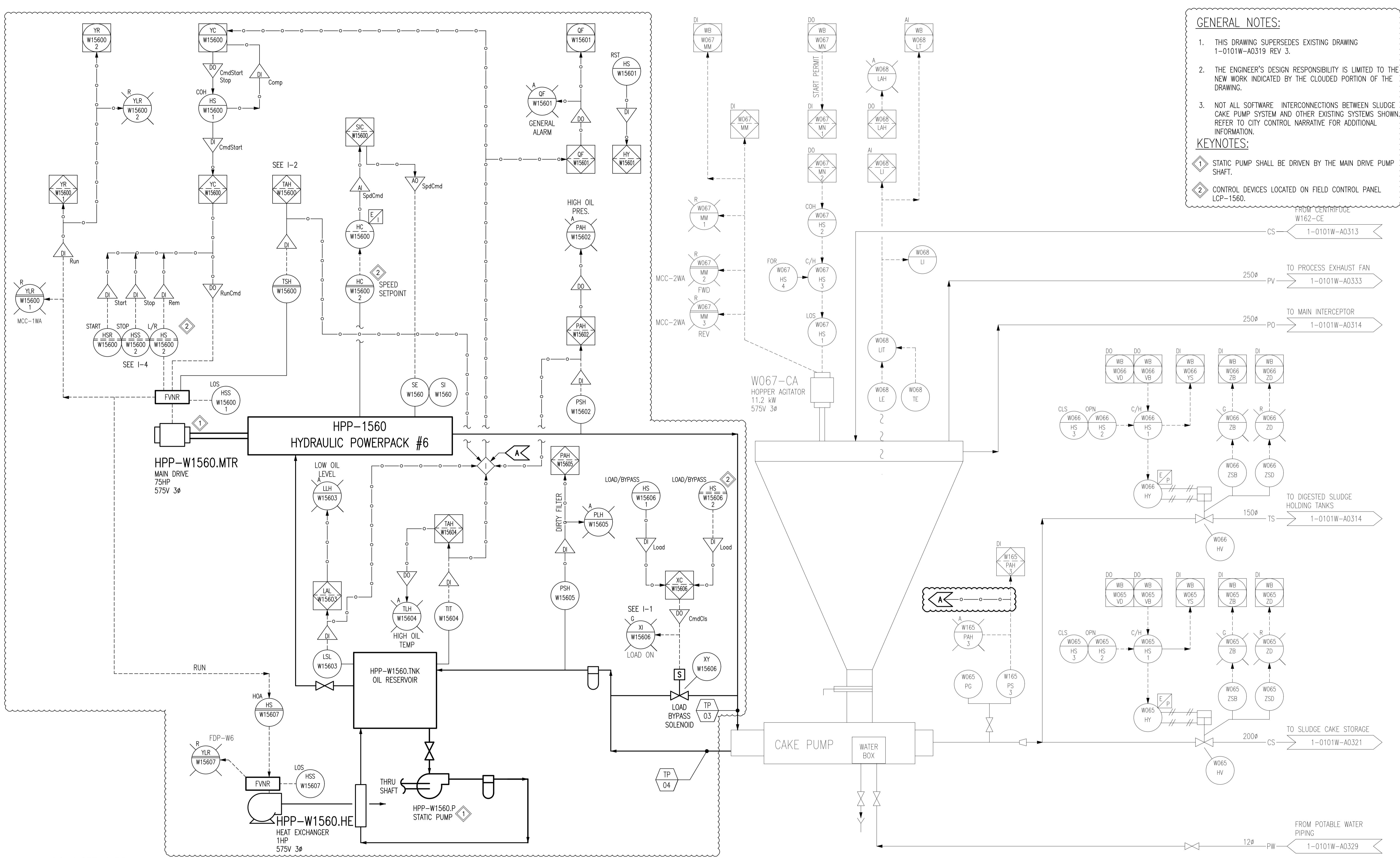


A1 SIZE - 594mm x 841mm

LAST SAVE: 2026/03/31 - 10:32am
PATH: R:\Projects\2025\25-0107-017 Dwg\Process\1-0101-PPID-W002-001.dwg



GENERAL NOTES:

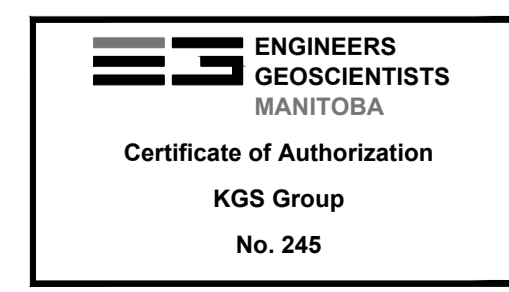
1. THIS DRAWING SUPERSEDES EXISTING DRAWING 1-0101W-A0319 REV 3.
2. THE ENGINEER'S DESIGN RESPONSIBILITY IS LIMITED TO THE NEW WORK INDICATED BY THE CLOUDED PORTION OF THE DRAWING.
3. NOT ALL SOFTWARE INTERCONNECTIONS BETWEEN SLUDGE CAKE PUMP SYSTEM AND OTHER EXISTING SYSTEMS SHOWN. REFER TO CITY CONTROL NARRATIVE FOR ADDITIONAL INFORMATION.

KEYNOTES:

1. STATIC PUMP SHALL BE DRIVEN BY THE MAIN DRIVE PUMP SHAFT.
2. CONTROL DEVICES LOCATED ON FIELD CONTROL PANEL LCP-1560.

INCONSISTENCIES:

- I-1 W166-XLN IS CURRENTLY DESIGNATED AS W166-TAH1.
- I-2 IT IS ASSUMED PLC I/O POINT W165-TAH1 IS EXISTING MOTOR HIGH TEMPERATURE ALARM AND HAS BEEN RENAMED AS SHOWN.
- I-3 PLC INPUT W165-HC1 IS CURRENTLY DESIGNATED AS W166-HC1.
- I-4 W165-HS5, HS6, & HS7 ARE CURRENTLY DESIGNATED AS W166-HS5, HS6, & HS7 RESPECTIVELY.



NO.	REVISIONS	DATE	DESIGN	CHECK
00	ISSUED FOR CONSTRUCTION	2026-04-02		

KGS GROUP	
DESIGNED BY: N. RUSSI	CHECKED BY: P. SILVA
DRAWN BY: R.V. DIAZ	APPROVED BY: P. SILVA
SCALE: NTS	ISSUED FOR CONSTRUCTION BY:
DATE: 2026-02-27	DATE:
CONSULTANT NO.: 25-0107-017_M6-02	

ENGINEER'S SEAL

THE CITY OF WINNIPEG
WATER AND WASTE DEPARTMENT

NORTH END SEWAGE TREATMENT PLANT (NEWPCC)
SLUDGE CAKE PUMP UPGRADE
MECHANICAL
PROCESS AND INSTRUMENTATION DIAGRAM
SLUDGE CAKE PUMP #6

CITY DRAWING NUMBER 1-0101-PPID-W002	SHEET 00	REV. A1	SIZE A1
---	-------------	------------	------------