

ELEVATION OF LOUVERED WALL ALONG COL. E AT COOLING TOWER
SCALE 1/4" = 1'-0"

PLAN AT MACHINE R.M. FLOOR
SCALE 1/4" = 1'-0"

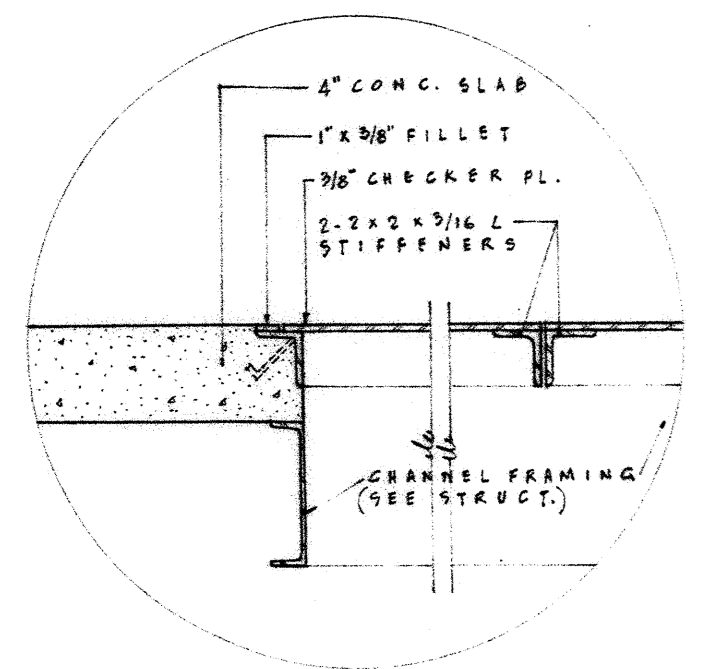
SECTION 1-1
SCALE 1/4" = 1'-0"

PLAN AT INTERMEDIATE LEVEL
SCALE 1/4" = 1'-0"

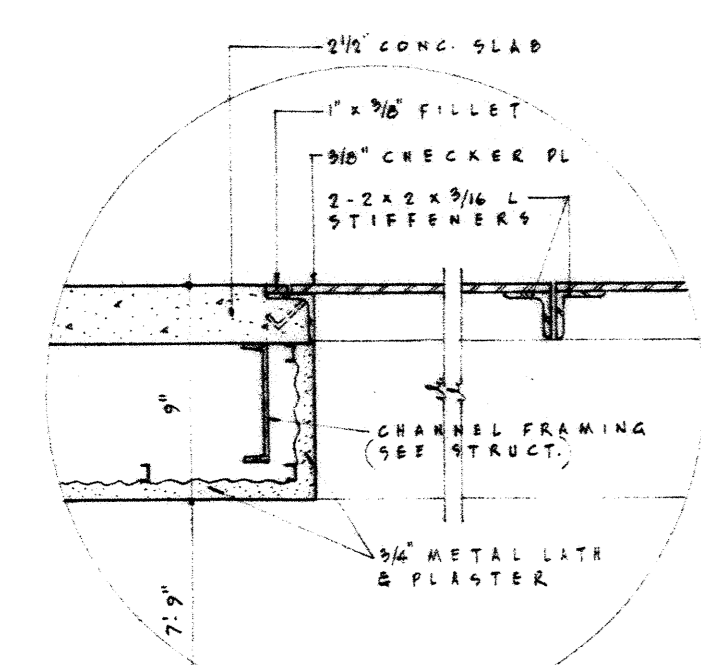
SECTION 2-2
SCALE 1/4" = 1'-0"

PLAN AT PENTHOUSE FLOOR
SCALE 1/4" = 1'-0"

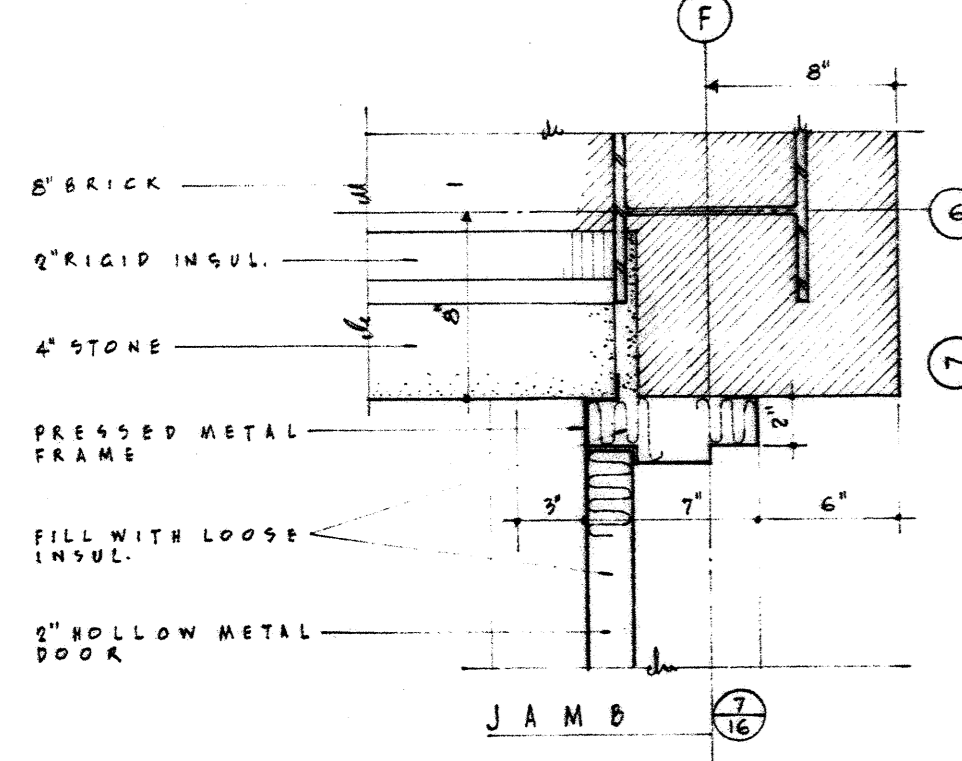
SECTION 3-3
SCALE 1/4" = 1'-0"



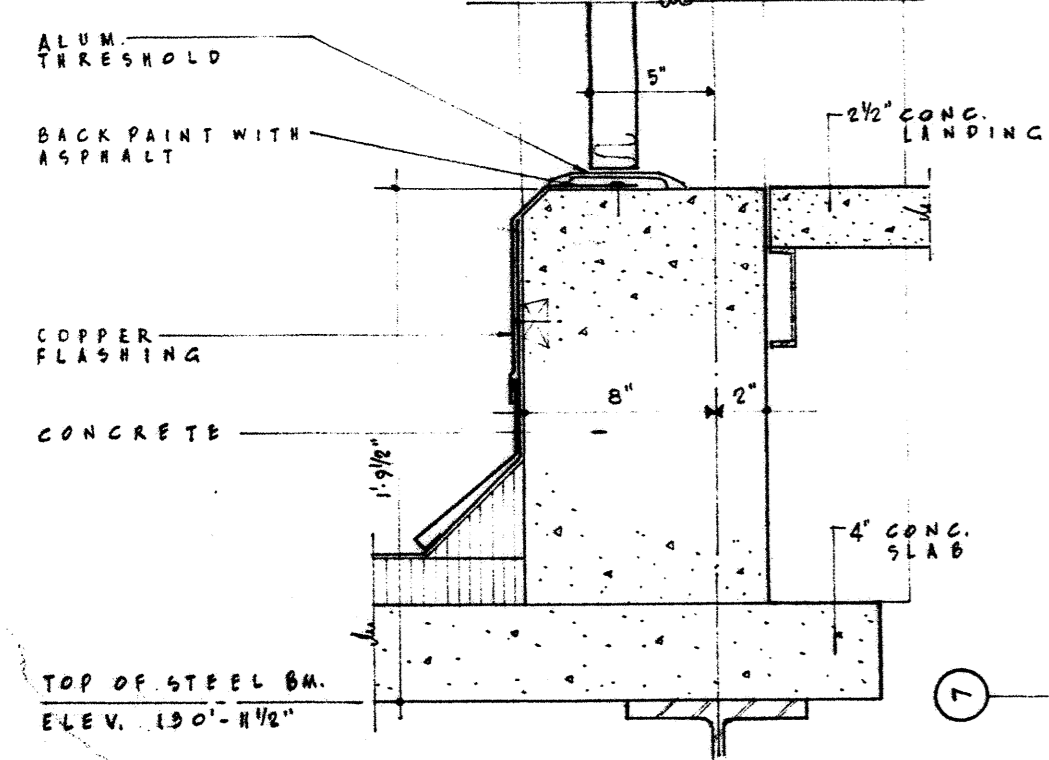
DETAIL 1
SCALE 1/4" = 1'-0"



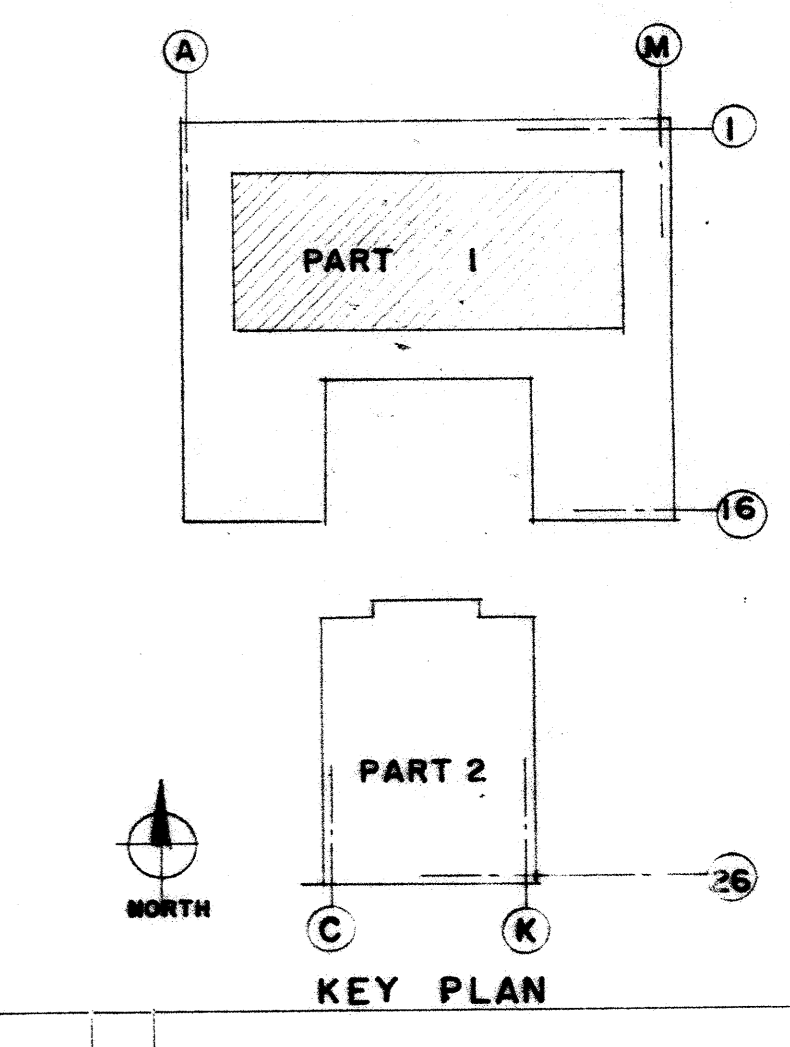
DETAIL 2
SCALE 1/4" = 1'-0"



J.A.M.B.
SCALE 1/4" = 1'-0"



DETAIL 4
SCALE 1/4" = 1'-0"



KEY PLAN

NO.	DATE	REVISIONS



GBR
Green Blankstein Russell Associates
Architects & Engineers, Winnipeg 1, Manitoba

CITY HALL
FOR THE
CITY OF WINNIPEG

PENTHOUSE DETAILS
PART I

DRN. S.P.S.	SCALE AS SHOWN	FILE NO. 62W01
CHRD. J.M.	DATE MAY 4/62	SHEET NO.
APPROVED		16

SHEET SIZE 48 1/2 X 36

