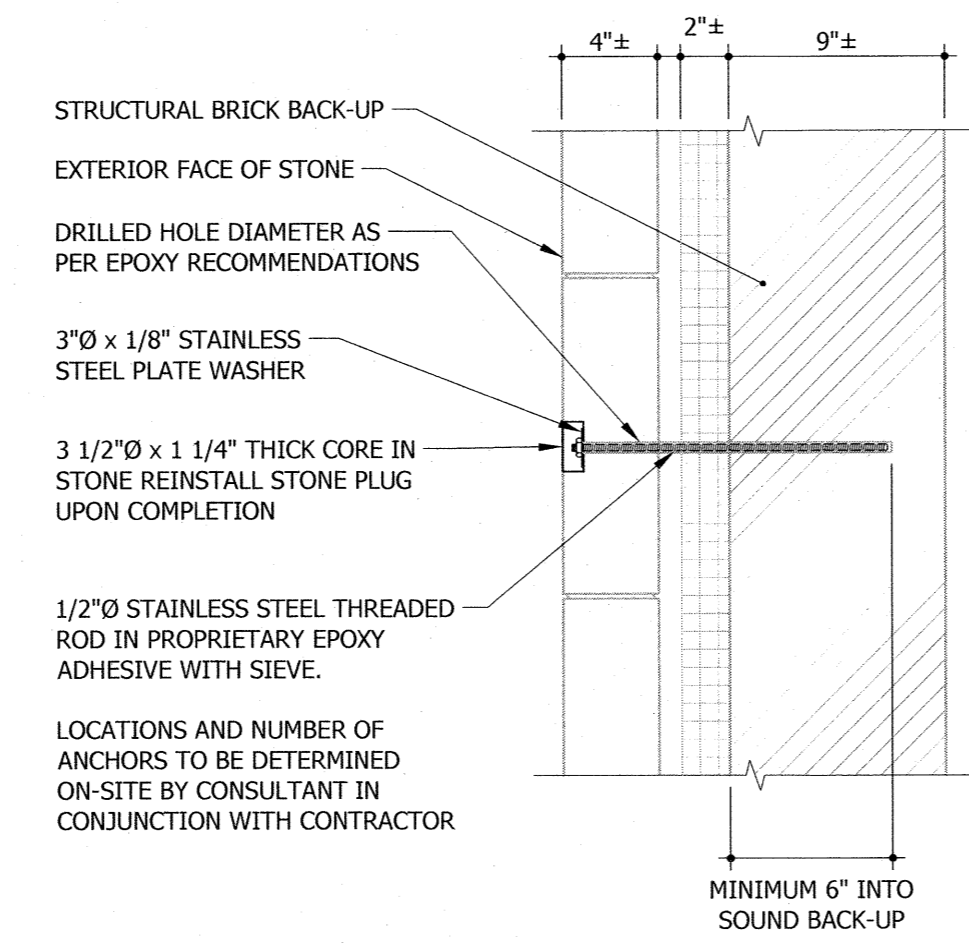


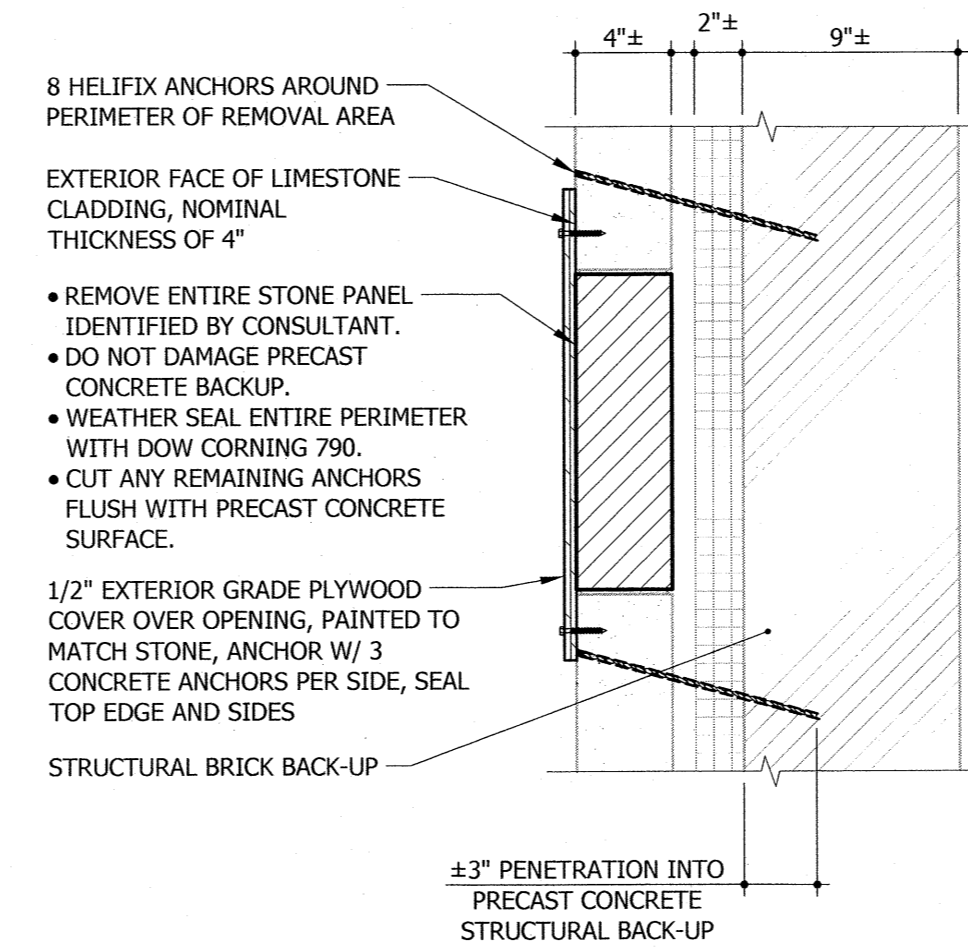
A HELIFIX ANCHOR DETAIL
 * S4.1 N.T.S. (UNIT PRICE)

HELIFIX INSTALLATION PROCEDURES

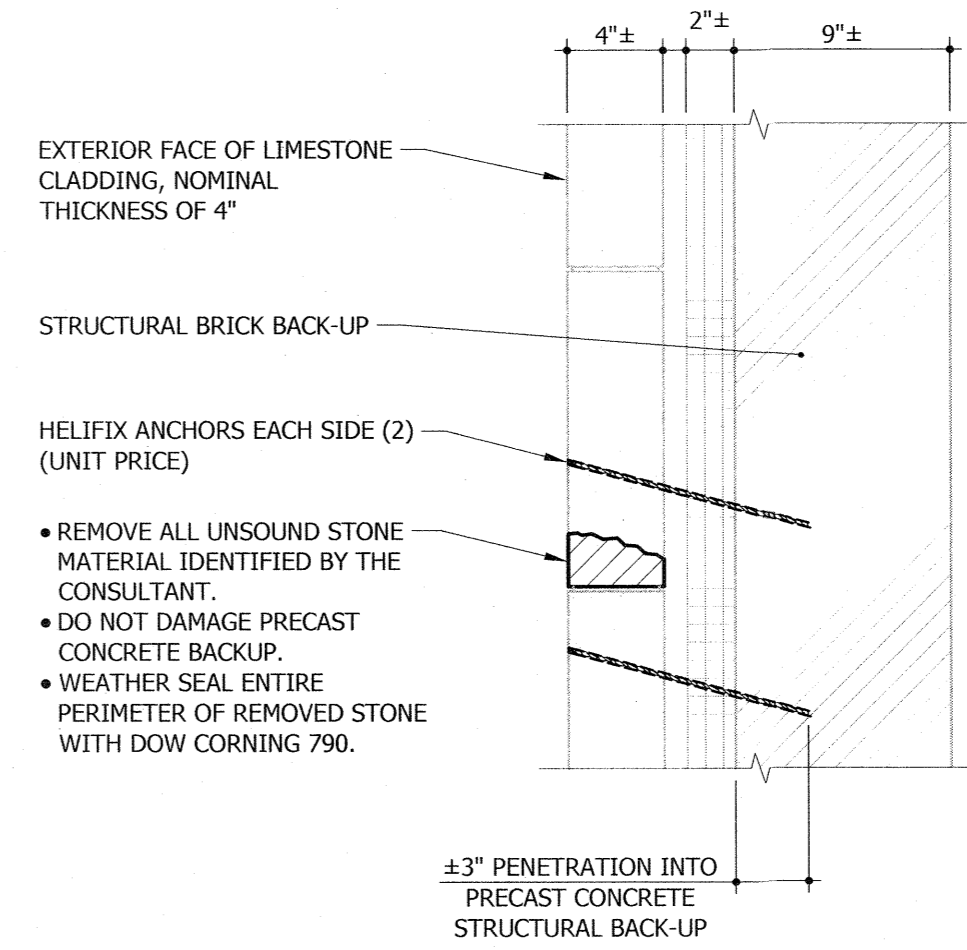
- INSTALL HELIFIX STAINLESS STEEL TIES INTO EXTERIOR STONE CLADDING (DRYFIX TECHNIQUE) AT SPECIFIED SPACING. PATCH ALL PENETRATIONS TO MATCH EXISTING SURFACE USING DOW CORNING 790 SEALANT.
- A 5/16" ENTRY HOLE SHALL BE PREDRILLED THROUGH THE EXISTING STONE PANEL AND CONTINUOUSLY DRILLED INTO THE PRE-CAST CONCRETE STRUCTURAL BACK-UP TO A HORIZONTAL PENETRATION DEPTH OF NOT LESS THAN 3.00". THIS DRILL PROCEDURE IS TO BE CARRIED OUT BY MEANS OF A HIGH SPEED ELECTRIC HAMMER DRILL (3 JAW CHUCK TYPE).
- NOTE: A DRYFIX SUPPORT TOOL MAY BE REQUIRED WHEN INSTALLING LONGER LENGTHS OF HELIFIX TIE INTO DENSE CONCRETE UNITS.
- THE 3/8" HELIFIX 304 STAINLESS STEEL ANCHOR SHALL THEN BE DRIVEN INTO POSITION WITH A HELIFIX "DRYFIX" POWER TOOL MOUNTED ON AN S.D.S. TYPE CONCRETE HAMMER DRILL AND RECESSED 1/4" FROM THE SURFACE. THE STONE SHALL THEN BE PATCHED AT THE LOCATIONS OF THE PENETRATIONS TO MATCH EXISTING ADJACENT STONE SURFACE AS PER SPECIFICATIONS.
- CONTRACTOR TO OBTAIN ALL RELEVANT DRILL BITS AND SETTING TOOLS FROM HELIFIX CORPORATION OF NORTH AMERICA LIMITED.
- SEE SPECIFICATION REGARDING FURTHER INFORMATION WITH RESPECT TO METHODS AND MATERIALS.



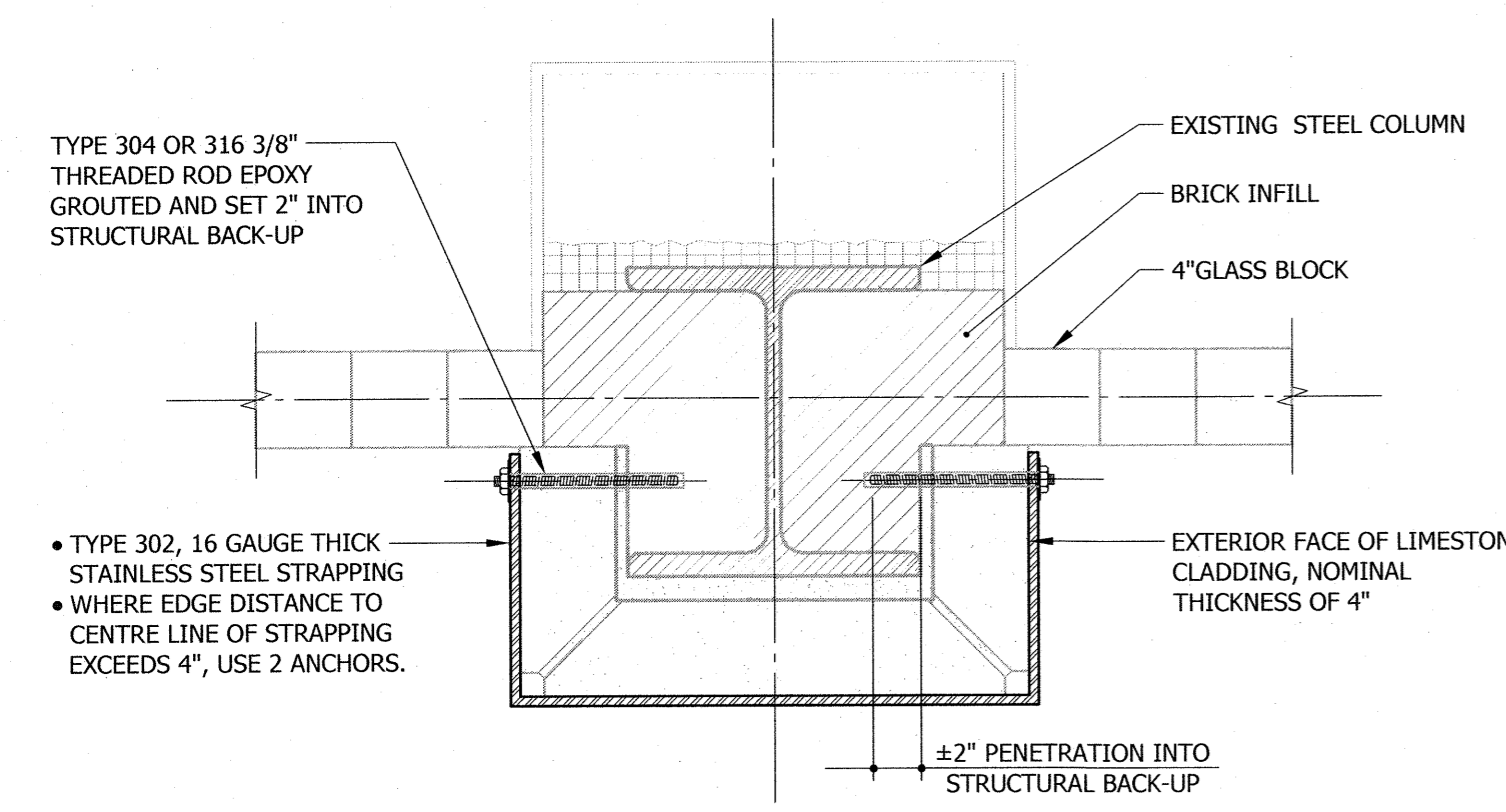
B STONE STABILIZATION WITH S.S. THREADED RODS
 * S4.1 N.T.S. (UNIT PRICE)



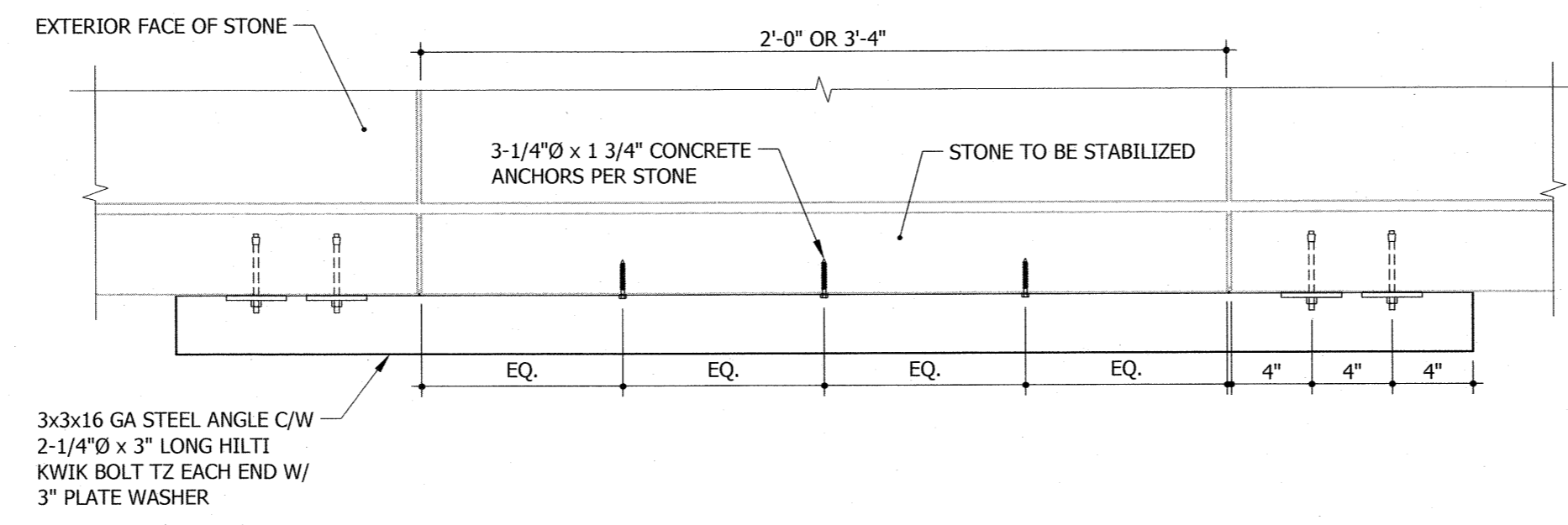
C STONE PANEL REMOVAL
 * S4.1 N.T.S. (UNIT PRICE)



D PARTIAL REMOVAL OF SPALLED SECTIONS OF STONE PANEL
 * S4.1 N.T.S. (FIXED PRICE)



E HILT KWIK BOLT 3 STRAPPING DETAIL
 * S4.1 N.T.S. (UNIT PRICE)



F STONE SOFFIT STRAPPING DETAIL
 * S4.1 N.T.S. (UNIT PRICE)

0 2026-04-23 ISSUED FOR CONSTRUCTION
 Rev Date Issuance
 COPYRIGHT CROSIER KILGOUR. REPRODUCTION OR USE FOR ANY PURPOSE OTHER THAN AS AUTHORIZED BY CROSIER KILGOUR IS STRICTLY PROHIBITED.

ENGINEERS GEOSCIENTISTS MANITOBA
 Certificate of Authorization
 Crosier Kilgour & Partners Ltd.
 No. 235



Project
COW: CITY HALL ADMIN BUILDING
 CLADDING INVESTIGATION
 510 MAIN STREET
 WINNIPEG, MANITOBA

Sheet Title
DETAILS

Design JAW
 Drawn DNM
 Project 2025-0509
 Revision 0

S4.1