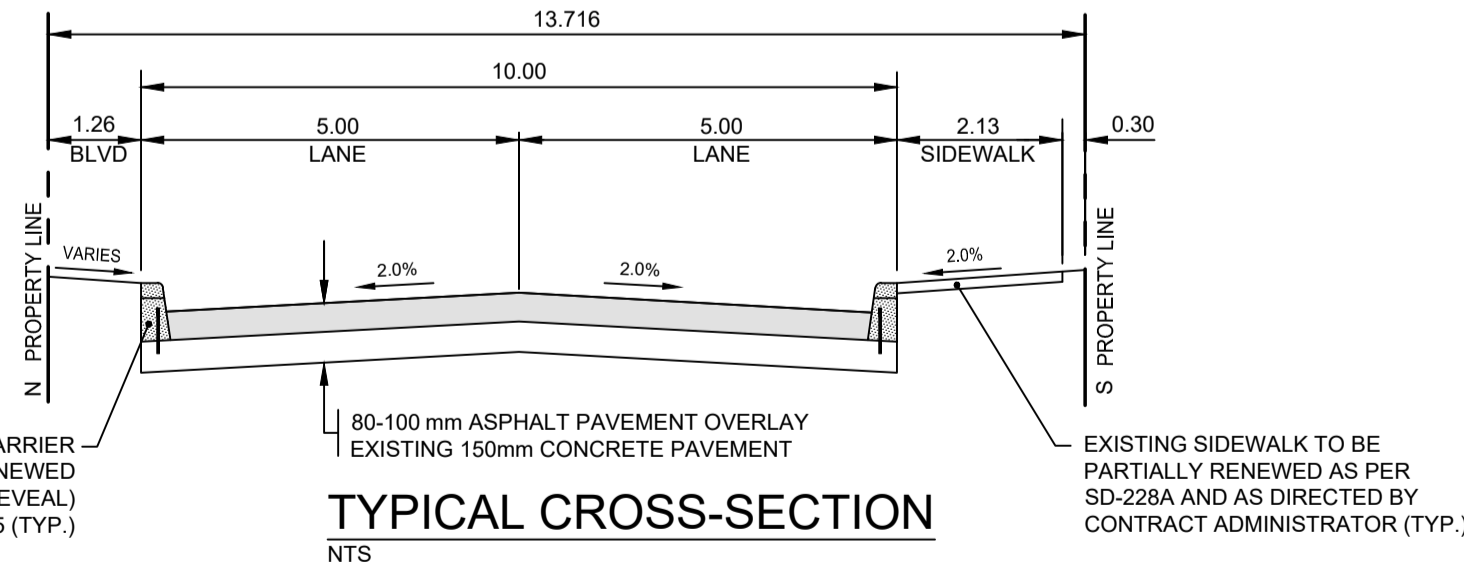
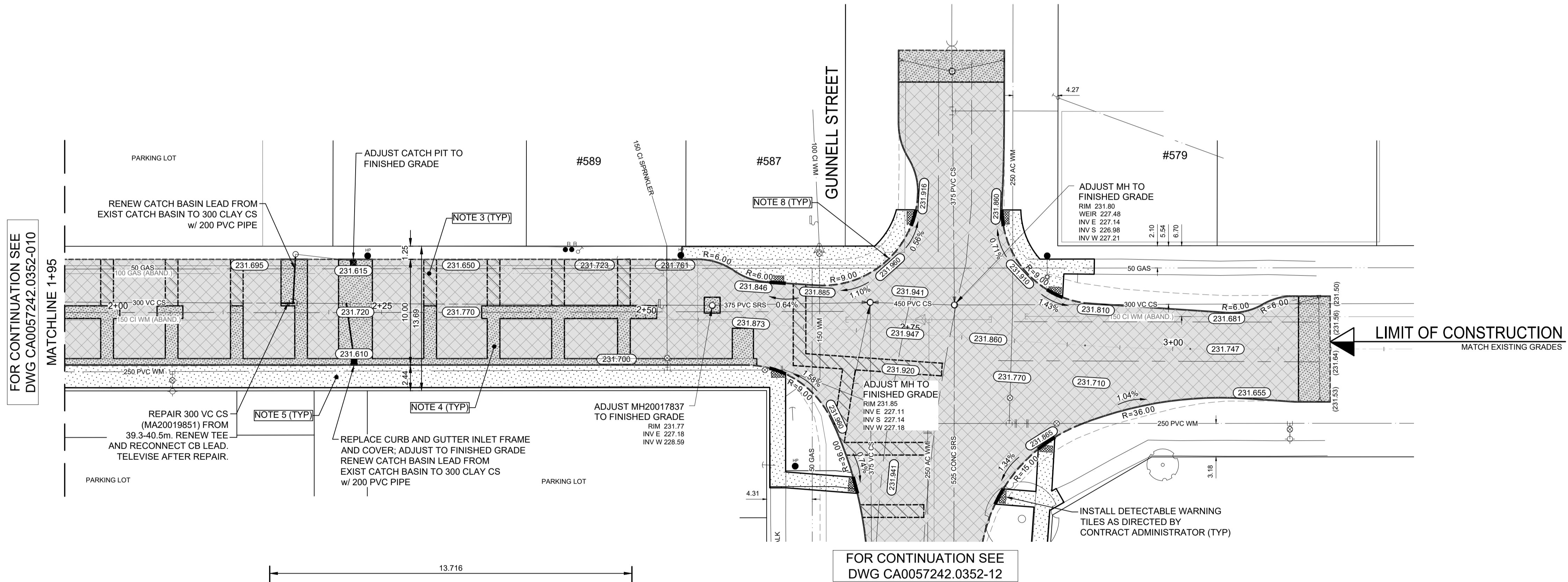


HENRY AVENUE



- NOTES:**
- ALL WORK AND MATERIALS TO BE IN ACCORDANCE WITH THE LATEST REVISION OF THE CITY OF WINNIPEG STANDARD CONSTRUCTION SPECIFICATIONS.
  - ALL ROADWAY DIMENSIONS SHOWN ARE TO BACK OF CURB.
  - EXISTING ASPHALT TO BE PLANNED OR REMOVED AS SHOWN OR AS DIRECTED BY CONTRACT ADMINISTRATOR.
  - 200mm PARTIAL CONCRETE SLAB PATCHES SHOWN ARE ONLY A REPRESENTATIVE APPROXIMATION OF THE TENDERED QUANTITIES.
  - EXISTING SIDEWALK TO BE RENEWED AS PER SD-228A AND AS DIRECTED BY CONTRACT ADMINISTRATOR.
  - PLANE EXISTING CURB AND CONSTRUCT BARRIER CURB AS PER SD-205 AND AS DIRECTED BY CONTRACT ADMINISTRATOR.
  - PAVEMENT REPAIR FABRIC TO BE INSTALLED AS SHOWN OR AS DIRECTED BY CONTRACT ADMINISTRATOR.
  - MODIFIED BARRIER CURB TO BE CONSTRUCTED AT ALL INTERSECTION RADII AND ALLEY RADII.
  - OVERLAY EXISTING CONCRETE AND ASPHALT APPROACHES AS DIRECTED BY CONTRACT ADMINISTRATOR.
  - CONTRACTOR TO CONFIRM THE LOCATION OF ALL UTILITIES/SERVICES IN THE FIELD PRIOR TO CONSTRUCTION.
  - PARTIAL PLANING AND ASPHALT PATCHING OF EXISTING JOINTS ARE ONLY A REPRESENTATIVE APPROXIMATION OF TENDERED QUANTITIES.
  - CONTRACTORS TO TAKE PRECAUTIONARY STEPS TO PROTECT EXISTING TREES WITHIN THE LIMITS OF CONSTRUCTION FROM DAMAGE FROM CONSTRUCTION ACTIVITIES AS OUTLINED IN THE SPECIFICATIONS.
  - LAMP STANDARDS, HYDRO POLES, AND ANCHORS THAT REQUIRE TEMPORARY SUPPORT, REMOVAL OR REPLACEMENT, TO BE DONE SO AT THE EXPENSE OF THE CONTRACTOR AS NECESSARY.
  - ALL BOULEVARDS TO BE SODDED UNLESS OTHERWISE NOTED.
  - ADJUST ALL WATER VALVES, HYDRANTS, MANHOLES, AND CATCH BASINS IN WORK AREA TO GRADE.

EXISTING	LEGEND-PLAN	PROPOSED	EXISTING	LEGEND-PLAN	PROPOSED	EXISTING	LEGEND-PLAN	PROPOSED
---	WATER MAIN	⊗	---	VALVE	⊗	---	EDGE OF SIDEWALK	---
---	LAND DRAINAGE SEWER	⊗	---	CURB STOP	⊗	---	EDGE OF ASPHALT	---
---	WASTE WATER SEWER	⊗	---	HYDRO POLE & LIGHT STANDARD	⊗	---	EDGE OF CONCRETE	---
---	HYDRO	⊗	---	LIGHT STANDARD OR TRAFFIC SIGNAL	⊗	---	MODIFIED BARRIER CURB	---
---	GAS	⊗	---	HYDRO POLE / ANCHOR	⊗	---	BARRIER CURB	---
---	COMMUNICATIONS	⊗	---	FENCE	⊗	---	BARRIER CURB AND GUTTER	---
---	SIGNALS	⊗	---	PROPERTY LINE	---	---	PAVING STONE	---
○	MANHOLE	●	---	TEST HOLE / PAVEMENT CORE	⊗	---	CONCRETE SIDEWALK	---
□	CATCH BASIN/CATCH PIT	■	---	ELEVATIONS	(231.000)	---	CONCRETE SLAB	---
△	CURB INLET	▽	---	CURB RAMP	---	---	ASPHALT	---
◇	UTILITIES ADJUSTED	◇	---	DETECTABLE WARNING SURFACE TILE	---	---	MILLED SURFACE	---
◇	HYDRANT	◆	---			---	PAVEMENT REPAIR FABRIC	---
---	EXISTING	---	---	LEGEND-PLAN	---	---		---
---	PROPOSED	---	---	LEGEND-PLAN	---	---		---

NO.	REVISIONS	DATE	BY
1	ISSUED FOR TENDER	2025-04-08	K.G.
2			
3			
4			
5			
6			
7			

**wsp**

DESIGNED BY: K.G./E.M. CHECKED BY: S.M.  
 DRAWN BY: W.DO. APPROVED BY: K.G.

HOR. SCALE: 1:250  
 VERTICAL: 1:10

RELEASED FOR CONSTRUCTION: DECEMBER 2025

WSP Canada Inc.  
 1600 Buffalo Place  
 Winnipeg, MB R3T 6B8  
 T. 204.477.6650  
 F. 204.474.2864  
 www.wsp.com

ENGINEERS SEAL  
 PROVINCE OF MANITOBA  
 K.L. GROFF  
 5552  
 REGISTERED PROFESSIONAL ENGINEER  
 2026-04-07

CONSULTANT ACAD DWG. NO.  
 CA0057242.0352-11

**THE CITY OF WINNIPEG**  
 PUBLIC WORKS DEPARTMENT  
 ENGINEERING SERVICES DIVISION

2026 LOCAL INDUSTRIAL STREET RENEWALS

HENRY AVENUE  
 SHERBROOK ST TO GUNNELL ST  
 MAJOR REHABILITATION  
 STA. 1+95 TO STA. 3+13.83

CITY DRAWING NUMBER  
 SHEET 11 OF 18

TENDER NO.  
 48-2026

**METRIC**  
 WHOLE NUMBERS INDICATE MILLIMETRES  
 DECIMALIZED NUMBERS INDICATE METRES

**ENGINEERS GEOSCIENTISTS MANITOBA**  
 Certificate of Authorization  
 WSP Canada Inc.  
 No. 5750

FOR TENDER PURPOSES ONLY  
 NOT FOR CONSTRUCTION

Apr 07, 2026 - 1:44pm  
 L:\Projects\2025\02 - Transportation\CA0057242.0352 - 2026 Street Renewals\_26-R-06\02 Drawings\03\_Work\_Dwg\CA0057242.0352 - Henry Ave\_Plan\_Profile.dwg tab:48-2026\_Drawing\_CA0057242.0352-11-R0