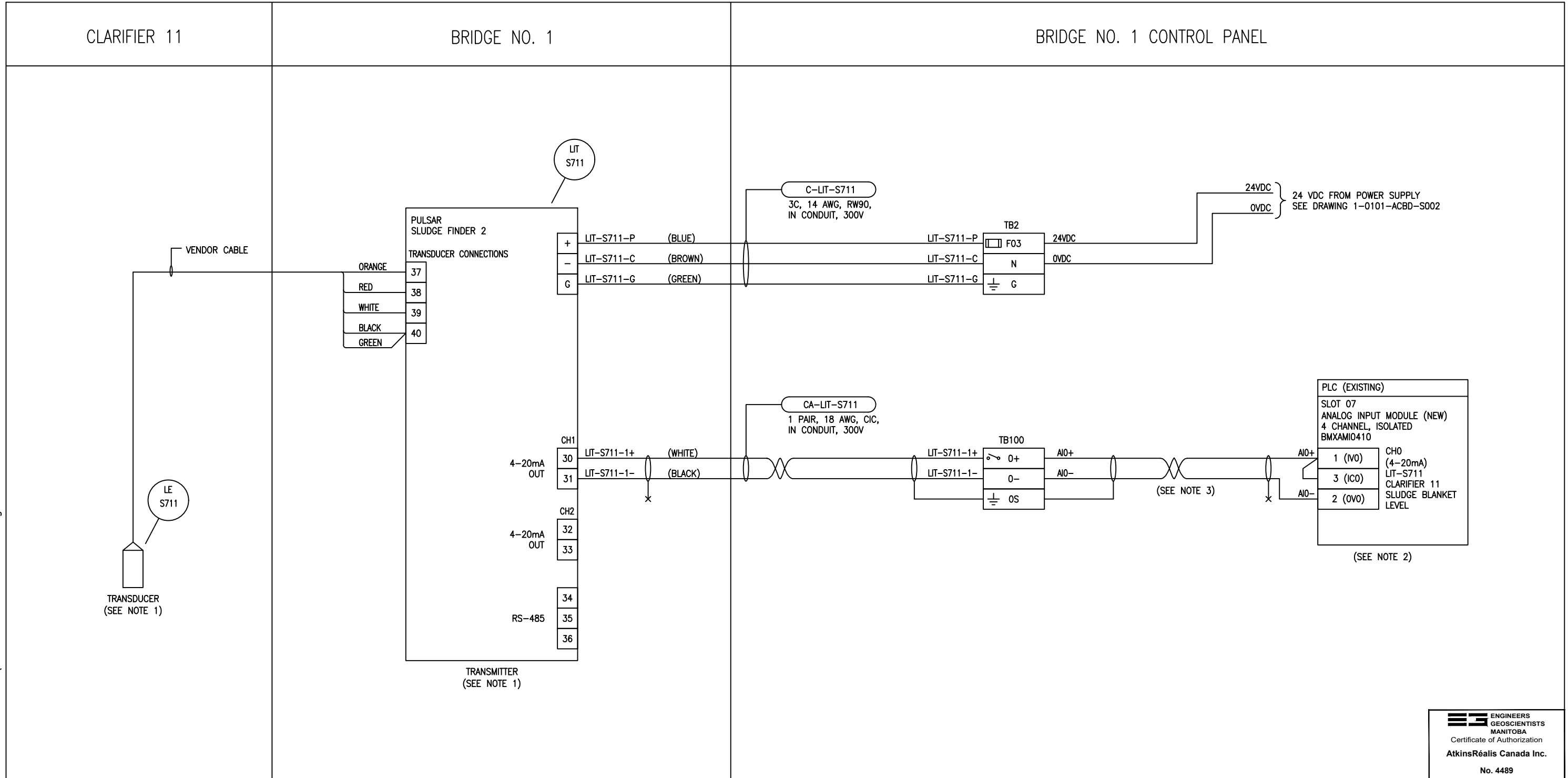


B SIZE - 279mm x 432mm

LAST SAVE: 2026/01/30 - 4:09pm  
 PATH: M:\703731\4ENG\48IC\DD - General DWG\1-0101-AILD-S001.dwg



**CONSTRUCTION NOTES:**

1. PROVIDE AND INSTALL NEW LEVEL SENSOR AND TRANSMITTER.
2. PROVIDE AND INSTALL A NEW 4-20mA ANALOG INPUT MODULE INTO SLOT 7 OF THE EXISTING PLC RACK.
3. PROVIDE AND INSTALL WIRING BETWEEN FIELD TERMINALS AND PLC INPUT MODULE. UTILIZE 18 AWG SHIELDED TWISTED PAIR, 300V.
4. PROVIDE IDENTIFICATION OF WIRING AND CABLING AS SHOWN.

ASSOCIATED DRAWINGS:  
 1-0101-DAAA-S001 DRAWING INDEX

NO.	REVISIONS	DATE	DESIGN	CHECK
00	ISSUED FOR CONSTRUCTION	2026/01/30	SW	BC



148 Nature Park Way  
 Winnipeg, Manitoba Canada R3P 0X7  
 204-786-8080

DESIGNED BY: S. WARNAKULASOORIYA	CHECKED BY: B. CLEVEN
DRAWN BY: Y. KONIG	APPROVED BY: B. CLEVEN
SCALE: N.T.S.	DATE: 2025/06/06
ISSUED FOR CONSTRUCTION	
BY: A. KIAYEE	DATE: 2026/01/30

ENGINEER'S SEAL

**THE CITY OF WINNIPEG**  
 WATER AND WASTE DEPARTMENT

NORTH END SEWAGE TREATMENT PLANT  
 SECONDARY CLARIFIERS SLUDGE BLANKET LEVEL DETECTION  
 LOOP DIAGRAM  
 SLUDGE BLANKET MONITOR  
 LE/LIT-S711

CITY DRAWING NUMBER	SHEET	REV.	SIZE
1-0101-AILD-S001		00	B

**ES ENGINEERS**  
 GEOSCIENTISTS  
 MANITOBA  
 Certificate of Authorization  
 AtkinsRéalis Canada Inc.  
 No. 4489