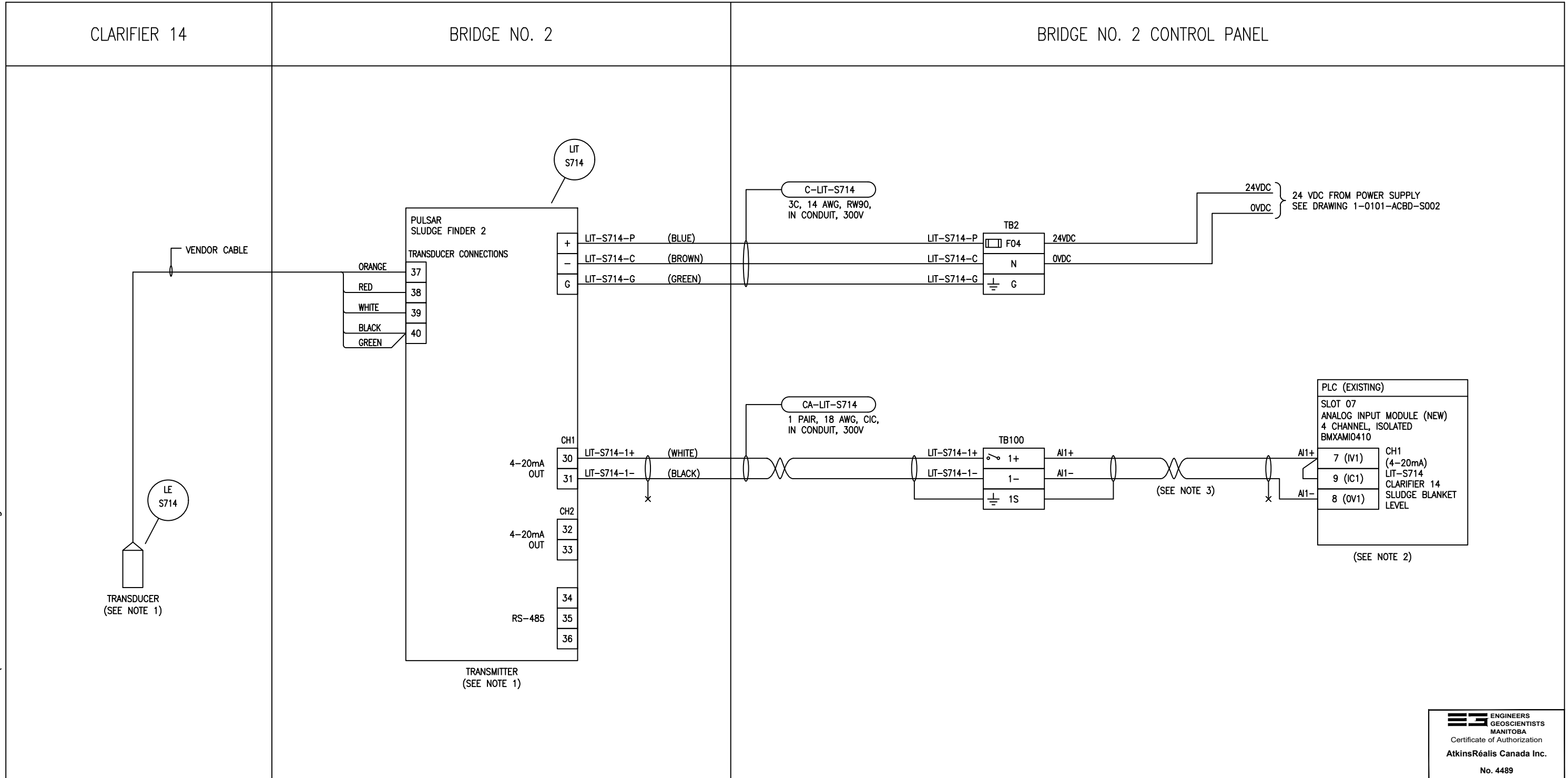


B SIZE - 279mm x 432mm

LAST SAVE: 2026/01/29 - 6:09pm
 PATH: M:\703731\4ENG\48IC\DD - General DWG\1-0101-AILD-S004.dwg



CONSTRUCTION NOTES:

1. PROVIDE AND INSTALL NEW LEVEL SENSOR AND TRANSMITTER.
2. PROVIDE AND INSTALL A NEW 4-20mA ANALOG INPUT MODULE INTO SLOT 7 OF THE EXISTING PLC RACK.
3. PROVIDE AND INSTALL WIRING BETWEEN FIELD TERMINALS AND PLC INPUT MODULE. UTILIZE 18 AWG SHIELDED TWISTED PAIR, 300V.
4. PROVIDE IDENTIFICATION OF WIRING AND CABLING AS SHOWN.

ASSOCIATED DRAWINGS:
 1-0101-DAAA-S001 DRAWING INDEX

00	ISSUED FOR CONSTRUCTION	2026/01/30	SW	BC
NO.	REVISIONS	DATE	DESIGN	CHECK



148 Nature Park Way
 Winnipeg, Manitoba Canada R3P 0X7
 204-786-8080

DESIGNED BY: S. WARNAKULASOORIYA	CHECKED BY: B. CLEVEN
DRAWN BY: J. GRAGASIN	APPROVED BY: B. CLEVEN
SCALE: N.T.S.	DATE: 2025/06/26
ISSUED FOR CONSTRUCTION BY: A. KIAYEE	DATE: 2026/01/30

ENGINEER'S SEAL

THE CITY OF WINNIPEG
 WATER AND WASTE DEPARTMENT

NORTH END SEWAGE TREATMENT PLANT
 SECONDARY CLARIFIERS SLUDGE BLANKET LEVEL DETECTION
 LOOP DIAGRAM
 SLUDGE BLANKET MONITOR
 LE/LIT-S714

CITY DRAWING NUMBER	SHEET	REV.	SIZE
1-0101-AILD-S004		00	B

ES ENGINEERS
 GEOSCIENTISTS
 MANITOBA
 Certificate of Authorization
 AtkinsRéalis Canada Inc.
 No. 4489