

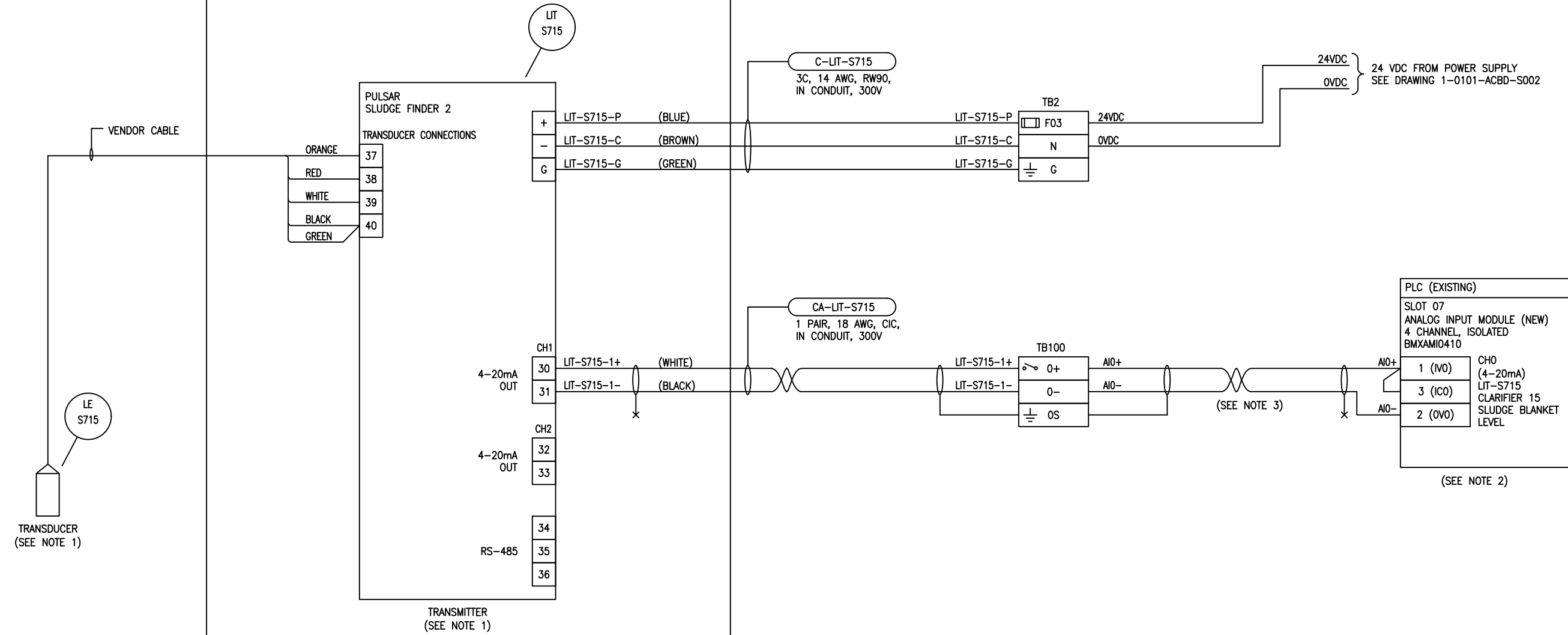
B SIZE - 279mm x 432mm

General DWG\1-0101-AILD-S005.dwg

CLARIFIER 15

BRIDGE NO. 3

BRIDGE NO. 3 CONTROL PANEL



CONSTRUCTION NOTES:

1. PROVIDE AND INSTALL NEW LEVEL SENSOR AND TRANSMITTER.
2. PROVIDE AND INSTALL A NEW 4-20mA ANALOG INPUT MODULE INTO SLOT 7 OF THE EXISTING PLC RACK.
3. PROVIDE AND INSTALL WIRING BETWEEN FIELD TERMINALS AND PLC INPUT MODULE. UTILIZE 18 AWG SHIELDED TWISTED PAIR, 300V.
4. PROVIDE IDENTIFICATION OF WIRING AND CABLING AS SHOWN.

ASSOCIATED DRAWINGS:
1-0101-DAAA-S001 DRAWING INDEX

| NO. | REVISIONS | DATE | DESIGN | CHECK |
|-----|-------------------------|------------|--------|-------|
| 00 | ISSUED FOR CONSTRUCTION | 2026/01/30 | SW | BC |



148 Nature Park Way
Winnipeg, Manitoba Canada R3P 0X7
204-786-8080

| | |
|---|---------------------------|
| DESIGNED BY: S. WARNAKULASOORIYA | CHECKED BY: B. CLEVEN |
| DRAWN BY: J. GRAGASIN | APPROVED BY: B. CLEVEN |
| SCALE: N.T.S. | DATE: 2025/06/26 |
| ISSUED FOR CONSTRUCTION BY: A. KIAYEE | DATE: 2026/01/30 |

ENGINEER'S SEAL



THE CITY OF WINNIPEG
WATER AND WASTE DEPARTMENT

NORTH END SEWAGE TREATMENT PLANT
SECONDARY CLARIFIERS SLUDGE BLANKET LEVEL DETECTION
LOOP DIAGRAM
SLUDGE BLANKET MONITOR
LE/LIT-S715

| | | | |
|---------------------|-------|------|------|
| CITY DRAWING NUMBER | SHEET | REV. | SIZE |
| 1-0101-AILD-S005 | | 00 | B |