

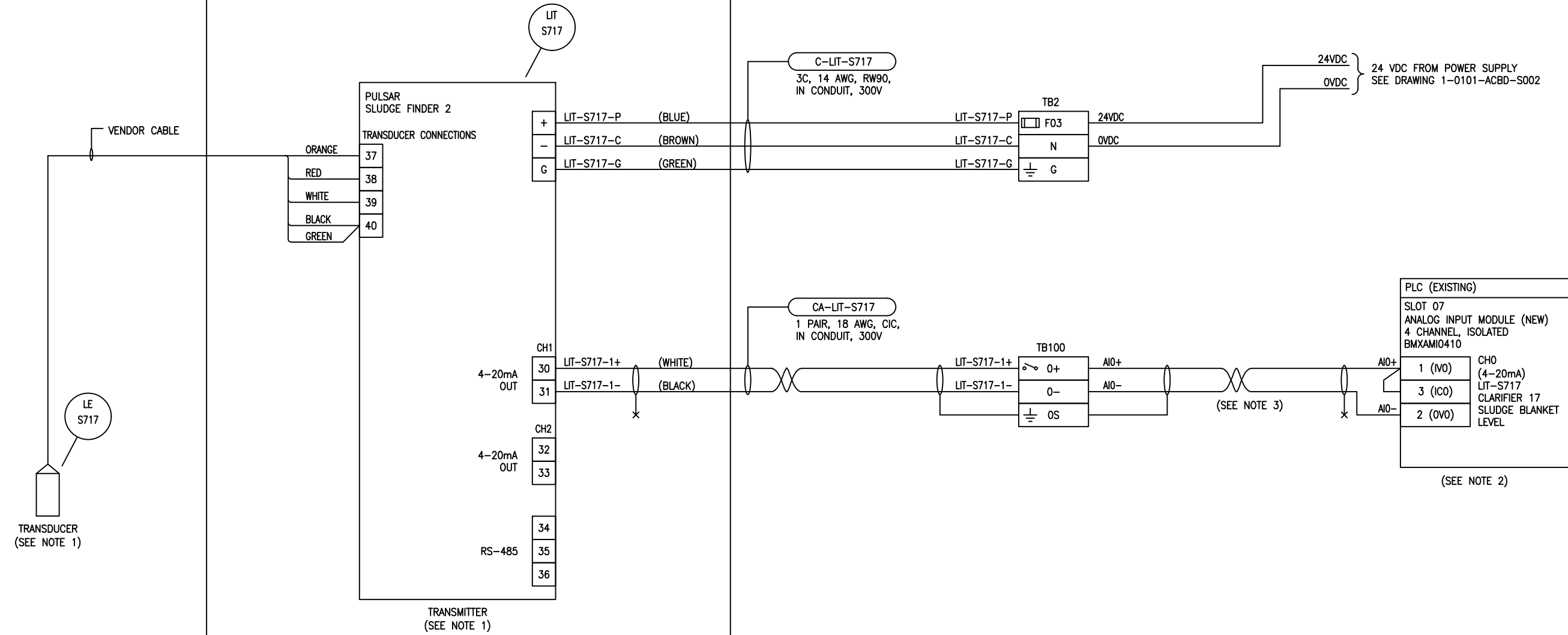
B SIZE - 279mm x 432mm

General DWG\1-0101-AILD-S007.dwg

CLARIFIER 17

BRIDGE NO. 4

BRIDGE NO. 4 CONTROL PANEL



TRANSDUCER (SEE NOTE 1)

TRANSMITTER (SEE NOTE 1)

PLC (EXISTING)
 SLOT 07
 ANALOG INPUT MODULE (NEW)
 4 CHANNEL, ISOLATED
 BMXAMIO410

1 (I0)	CHO (4-20mA)
3 (I0)	LIT-S717 CLARIFIER 17 SLUDGE BLANKET LEVEL
2 (O0)	

(SEE NOTE 2)

ES ENGINEERS
 GEOSCIENTISTS
 MANITOBA
 Certificate of Authorization
AtkinsRéalis Canada Inc.
 No. 4489

CONSTRUCTION NOTES:

1. PROVIDE AND INSTALL NEW LEVEL SENSOR AND TRANSMITTER.
2. PROVIDE AND INSTALL A NEW 4-20mA ANALOG INPUT MODULE INTO SLOT 7 OF THE EXISTING PLC RACK.
3. PROVIDE AND INSTALL WIRING BETWEEN FIELD TERMINALS AND PLC INPUT MODULE. UTILIZE 18 AWG SHIELDED TWISTED PAIR, 300V.
4. PROVIDE IDENTIFICATION OF WIRING AND CABLING AS SHOWN.

ASSOCIATED DRAWINGS:
 1-0101-DAAA-S001 DRAWING INDEX



148 Nature Park Way
 Winnipeg, Manitoba Canada R3P 0X7
 204-786-8080

ENGINEER'S SEAL

NO.	REVISIONS	DATE	DESIGN	CHECK
00	ISSUED FOR CONSTRUCTION	2026/01/30	SW	BC

DESIGNED BY: S. WARNAKULASOORIYA	CHECKED BY: B. CLEVEN
DRAWN BY: J. GRAGASIN	APPROVED BY: B. CLEVEN
SCALE: N.T.S.	DATE: 2025/06/26
ISSUED FOR CONSTRUCTION BY: A. KIAYEE	DATE: 2026/01/30
CONSULTANT NO.:	

THE CITY OF WINNIPEG
 WATER AND WASTE DEPARTMENT

NORTH END SEWAGE TREATMENT PLANT
 SECONDARY CLARIFIERS SLUDGE BLANKET LEVEL DETECTION
 LOOP DIAGRAM
 SLUDGE BLANKET MONITOR
 LE/LIT-S717

CITY DRAWING NUMBER	SHEET	REV.	SIZE
1-0101-AILD-S007		00	B