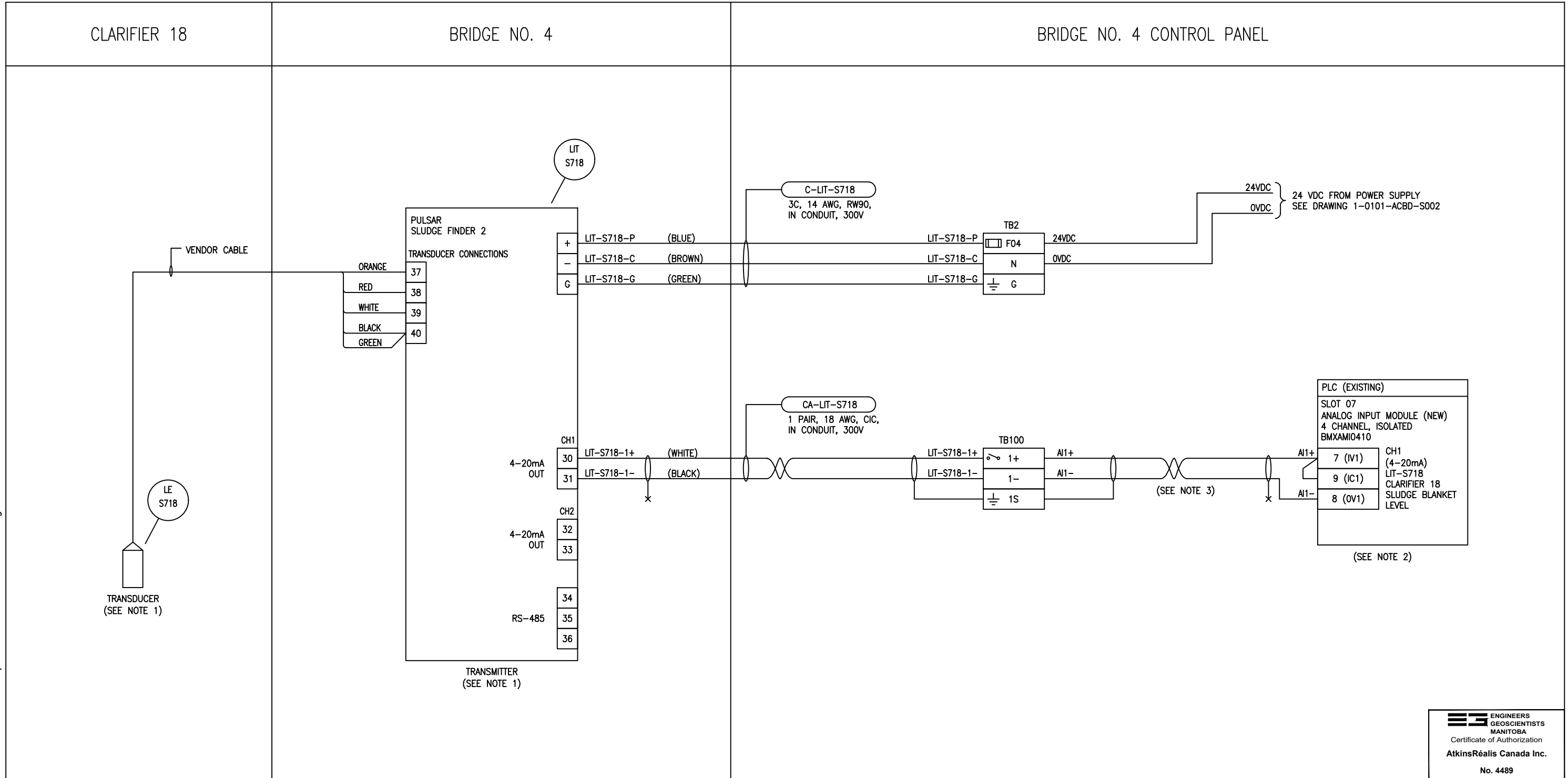


B SIZE - 279mm x 432mm

LAST SAVE: 2026/01/29 - 6:19pm
 PATH: M:\703731\4ENG\48IC\DD - General DWG\1-0101-AILD-S008.dwg



CONSTRUCTION NOTES:

1. PROVIDE AND INSTALL NEW LEVEL SENSOR AND TRANSMITTER.
2. PROVIDE AND INSTALL A NEW 4-20mA ANALOG INPUT MODULE INTO SLOT 7 OF THE EXISTING PLC RACK.
3. PROVIDE AND INSTALL WIRING BETWEEN FIELD TERMINALS AND PLC INPUT MODULE. UTILIZE 18 AWG SHIELDED TWISTED PAIR, 300V.
4. PROVIDE IDENTIFICATION OF WIRING AND CABLING AS SHOWN.

ASSOCIATED DRAWINGS:
 1-0101-DAAA-S001 DRAWING INDEX

| NO. | REVISIONS | DATE | DESIGN | CHECK |
|-----|-------------------------|------------|--------|-------|
| 00 | ISSUED FOR CONSTRUCTION | 2026/01/30 | SW | BC |



148 Nature Park Way
 Winnipeg, Manitoba Canada R3P 0X7
 204-786-8080

| | |
|--|---------------------------|
| DESIGNED BY: S. WARNAKULASOORIYA | CHECKED BY: B. CLEVEN |
| DRAWN BY: J. GRAGASIN | APPROVED BY: B. CLEVEN |
| SCALE: N.T.S. | DATE: 2025/06/26 |
| ISSUED FOR CONSTRUCTION BY: A. KIAYEE | DATE: 2026/01/30 |

ENGINEER'S SEAL

THE CITY OF WINNIPEG
 WATER AND WASTE DEPARTMENT

NORTH END SEWAGE TREATMENT PLANT
 SECONDARY CLARIFIERS SLUDGE BLANKET LEVEL DETECTION
 LOOP DIAGRAM
 SLUDGE BLANKET MONITOR
 LE/LIT-S718

| | | | |
|---------------------|-------|------|------|
| CITY DRAWING NUMBER | SHEET | REV. | SIZE |
| 1-0101-AILD-S008 | | 00 | B |

