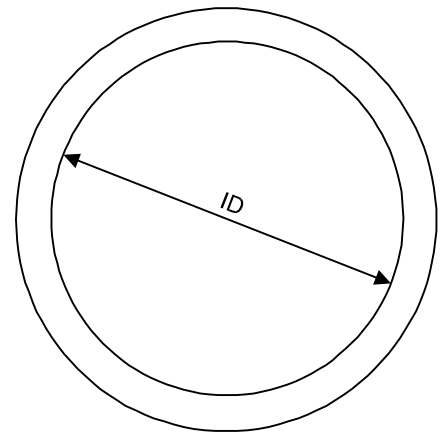
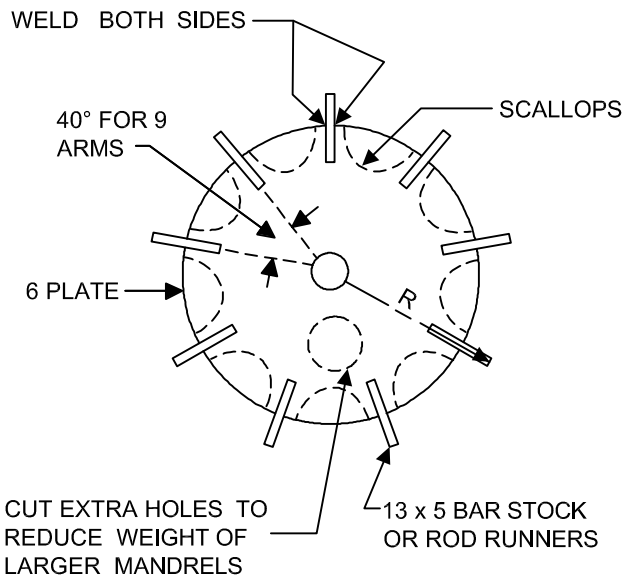


LONGITUDINAL SECTION OF MANDREL



END VIEW OF PROVING RING



TRANSVERSE SECTION OF MANDREL

NOMINAL PIPE SIZE (ASTM D 3034)	MANDREL ARM RADIUS R	MANDREL CONTACT LENGTH	PROVING INSIDE DIAMETER
250	115.70	200	231.40
300	137.46	250	274.92
375	168.17	300	336.34
450	205.41	350	410.82
525	242.03	400	484.12
600	272.03	500	544.06

DIMENSIONS IN MILLIMETERS



THE CITY OF WINNIPEG
WATER & WASTE DEPARTMENT

Reference Spec. No.

CW 2130

**NINE ARM
MANDREL AND PROVING RING
FOR 5.25% DEFLECTION
TESTING OF SDR 35
PVC PIPE**

Designed By:
RAS

Checked By:
TW

Approved:
UNDERGROUND WORKS COMMITTEE

Drawn By:
JMH / BH

Date: 03-03-14
Revision:

Scale:
N.T.S.

Drawing No.

SD-020