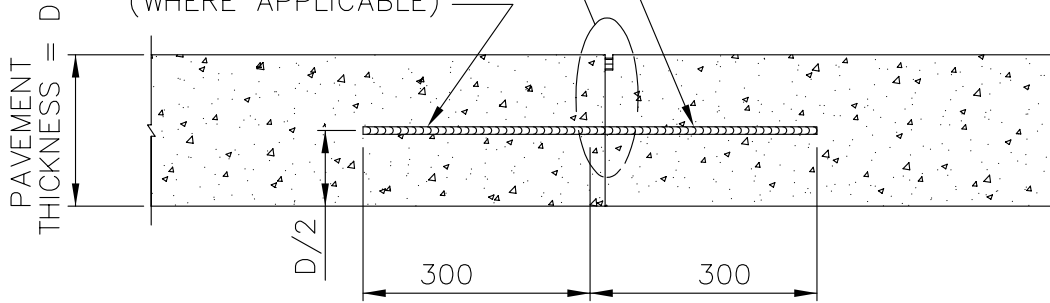


BUTT JOINT
REF. SD-212

15 M TIE BAR 600
LONG @ 600 O.C.

BAR MAT REINFORCING
REF. SD-217
(WHERE APPLICABLE)

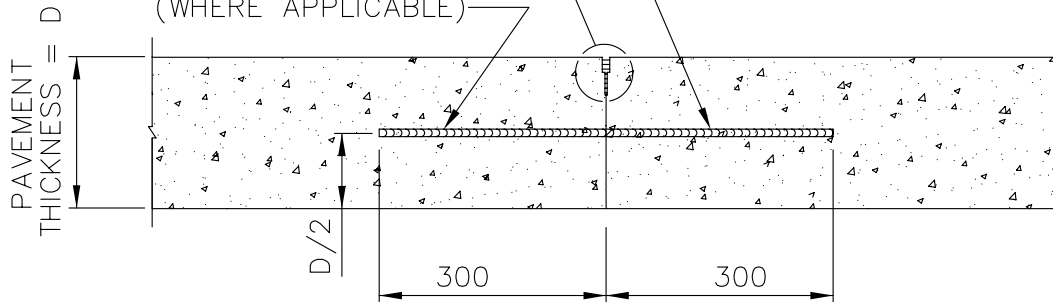


FORMED LONGITUDINAL JOINT

SAWN JOINT REF. SD-212

15 M TIE BAR 600
LONG @ 600 O.C.

BAR MAT REINFORCING
REF. SD-217
(WHERE APPLICABLE)



SAWN LONGITUDINAL JOINT



THE CITY OF WINNIPEG
PUBLIC WORKS DEPARTMENT

Reference Spec. No.
CW 3230, CW 3310

DIMENSIONS ARE IN MILLIMETRES

LONGITUDINAL JOINT FOR
CONCRETE PAVEMENT

Designed By:
L. S. W. L.

Drawn By:
A.R.

Scale :
N.T.S.

Checked By:
D.R.K.

Date:
05-12-31

Drawing No.

Approved:
SURFACE WORKS COMMITTEE

SD-210A