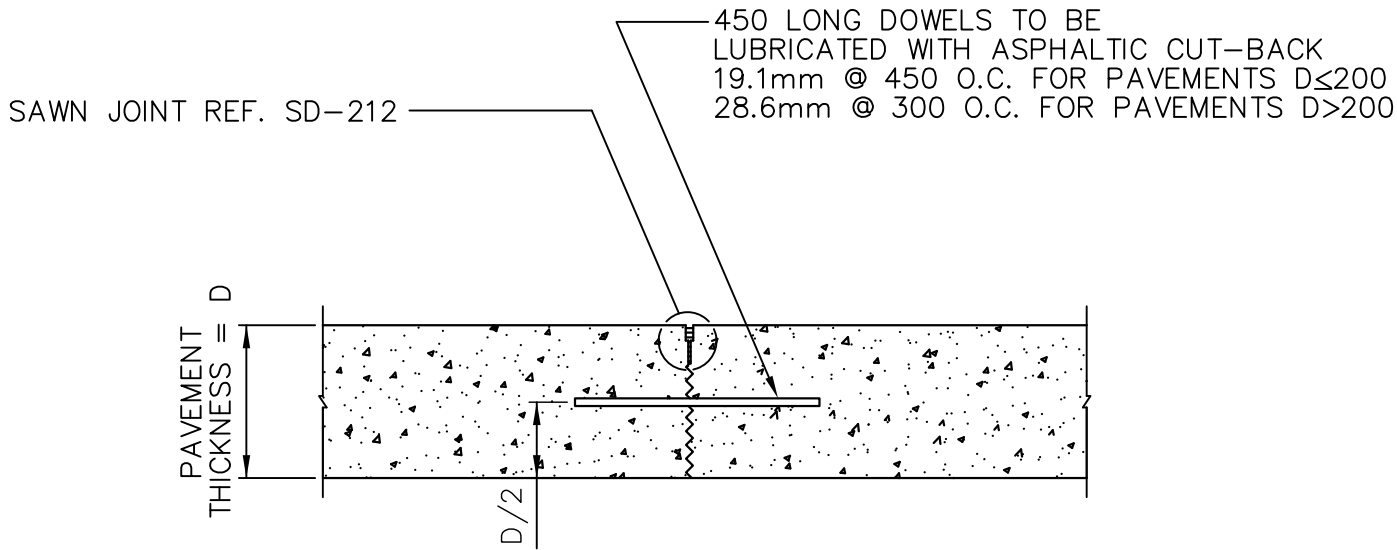


CONSTRUCTION JOINT



CONTRACTION JOINT

NOTE: DOWEL ASSEMBLIES NOT SHOWN.

 **THE CITY OF WINNIPEG**
PUBLIC WORKS DEPARTMENT

Reference Spec. No.
CW 3230, CW 3310

DIMENSIONS ARE IN MILLIMETRES

**CONSTRUCTION JOINT AND
CONTRACTION JOINT FOR
PLAIN-DOWELLED PAVEMENTS**

Designed By: L. S. W. L.	Drawn By: T.G.A.	Scale : N.T.S.
Checked By: D.R.K.	Date: 09-12-09	Drawing No.
Approved: SURFACE WORKS COMMITTEE		SD-211B