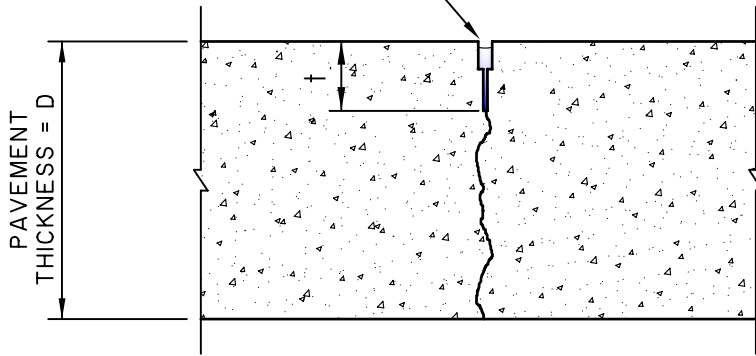


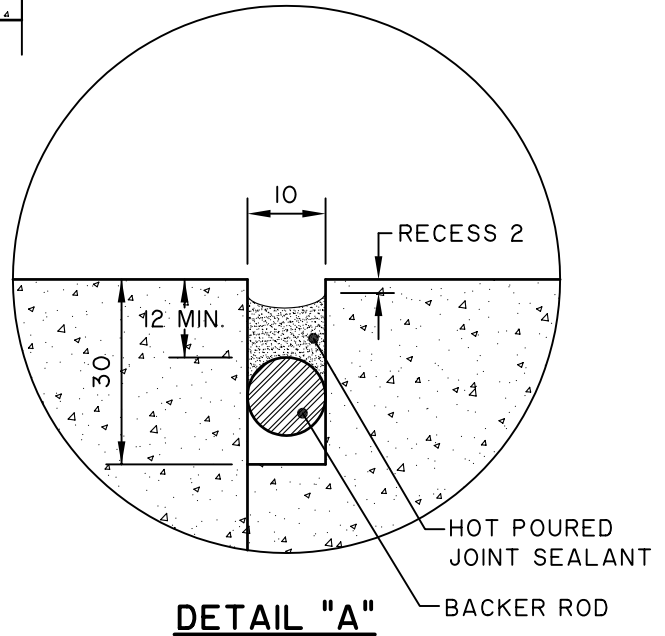
TRANVERSE JOINT: $t=D/3$
 LONGITUDINAL JOINT: $t=D/3$

SEE DETAIL "A"



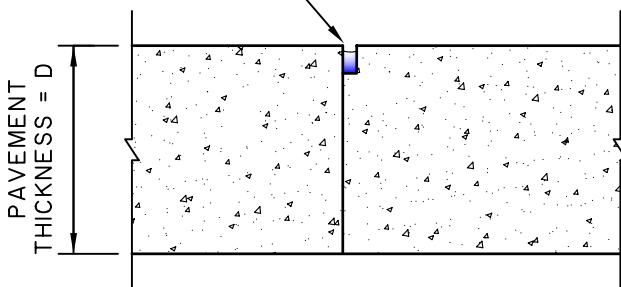
SAWN JOINT

NOTE:
 SAWCUTS TO BE MADE IN 2
 SEPARATE SAWING OPERATIONS.



DETAIL "A"

SEE DETAIL "A"



BUTT JOINT

NOTES:

1. SEALING OF CONCRETE JOINTS NOT REQUIRED IF THE JOINTS ARE BEING OVERLAYED WITH ASPHALT.
2. REINFORCING STEEL, DOWELS OR TIE BARS ARE NOT SHOWN.



THE CITY OF WINNIPEG
 PUBLIC WORKS DEPARTMENT

Reference Spec. No.
 CW 3230, CW 3310

DIMENSIONS ARE IN MILLIMETRES

**SAWN JOINT AND
 BUTT JOINT FOR REINFORCED AND
 PLAIN-DOWELLED PAVEMENTS**

Designed By:
 L.S.W.L.

Drawn By:
 lwb

Scale :
N.T.S.

Checked By:
 B.P.

Date:
 06-11-30

Drawing No.

Approved:
 SURFACE WORKS COMMITTEE

SD-212