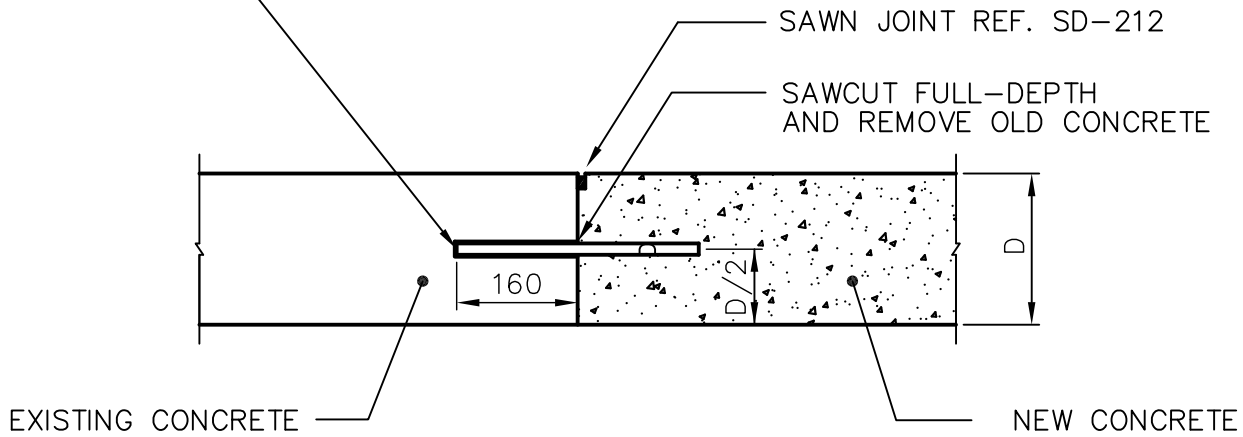
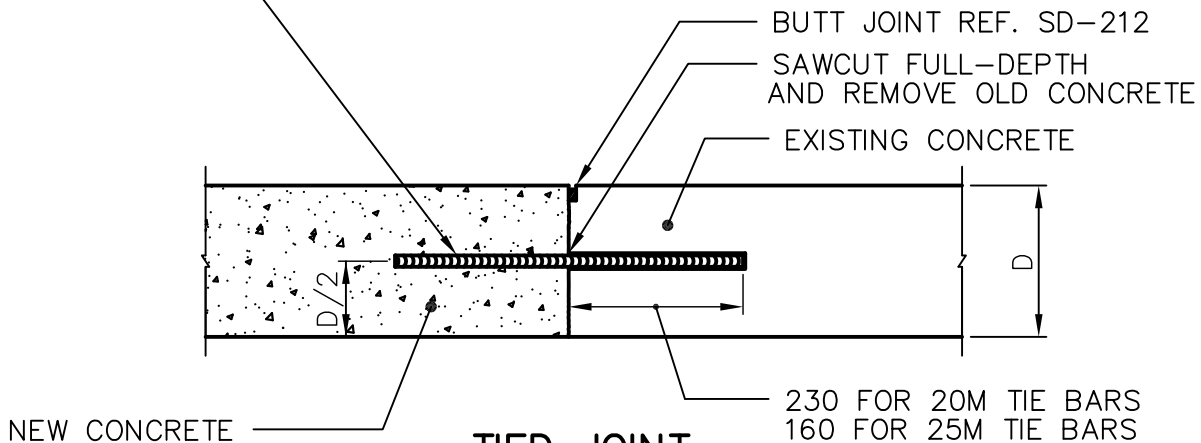


450 LONG DOWELS TO BE BONDED INTO EXISTING CONCRETE AND LUBRICATED WITH ASPHALTIC CUT-BACK.
 19.1mm @450 O.C. FOR PAVEMENTS D ≤ 200
 28.6mm @300 O.C. FOR PAVEMENTS D > 200



TRANSVERSE (MOVING) JOINT

600 LONG TIE BARS
 - 20M @ 900 O.C. ALONG LONGITUDINAL EDGES
 - ALONG TRANSVERSE EDGES
 : 20M @ 450 O.C. FOR PAVEMENTS D ≤ 200
 : 25M @ 450 O.C. FOR PAVEMENTS D > 200



TIED JOINT

DIMENSIONS ARE IN MILLIMETRES



THE CITY OF WINNIPEG
 PUBLIC WORKS DEPARTMENT

Reference Spec. No.
 CW 3230, CW 3310

**FULL-DEPTH PATCHES
 DETAILS OF
 MOVING AND TIED JOINTS**

Designed By:
 B.P.

Drawn By:
 A.R.

Scale :
N.T.S.

Checked By:
 D.R.K.

Date:
 13-12-15

Drawing No.

Approved:
 SURFACE WORKS COMMITTEE

SD-213B