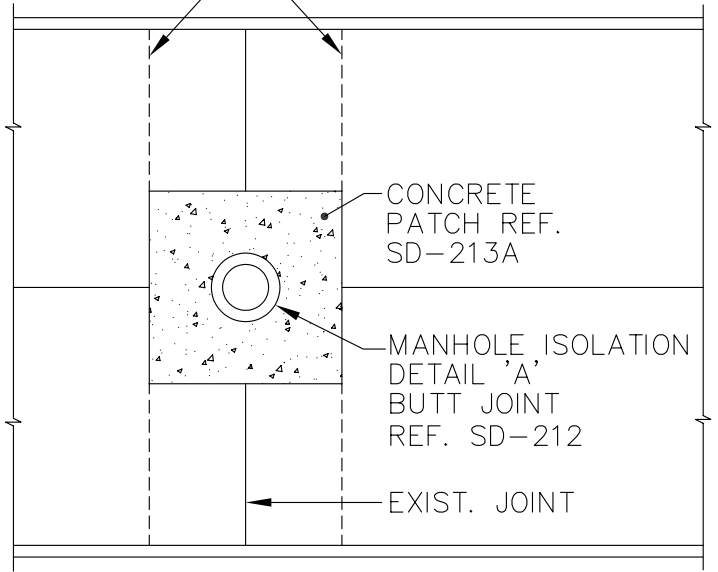
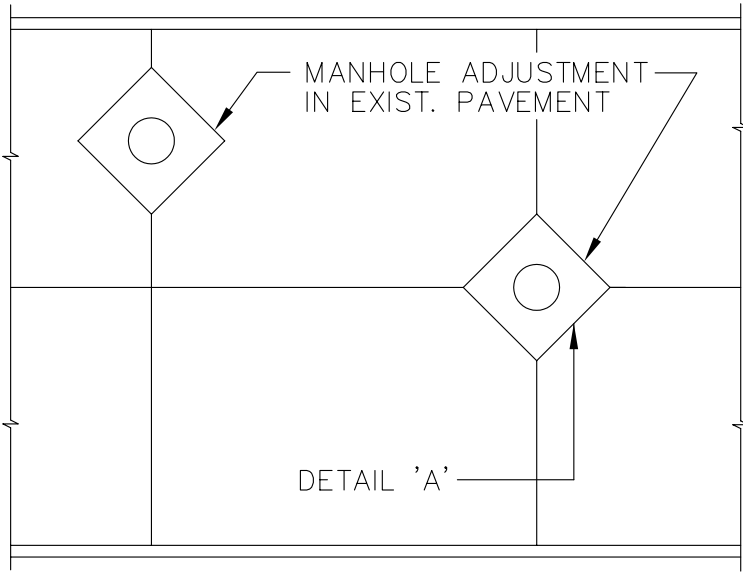


SAWN-JOINT REF. SD-212



ISOLATION FOR M.H. ADJUSTMENT

ISOLATION FOR RESTORATION OF M.H.

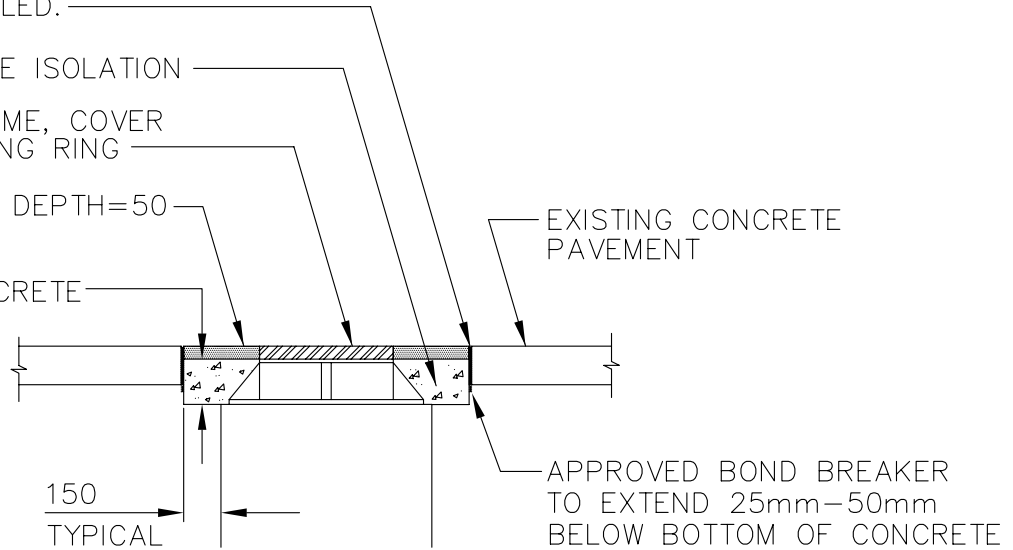
APPROVED BOND BREAKER TO BELOW TOP OF CONCRETE AND SEALED.

CONCRETE ISOLATION

M.H. FRAME, COVER AND RISING RING

ASPHALT DEPTH=50

MINIMUM 150 CONCRETE



DETAIL 'A'



THE CITY OF WINNIPEG  
PUBLIC WORKS DEPARTMENT

Reference Spec. No.  
CW 3230, CW3210

DIMENSIONS ARE IN MILLIMETRES

MANHOLE ISOLATION DETAIL  
IN EXISTING PAVEMENTS

Designed By:  
L.S.W.L.

Drawn By:  
A.R.

Scale :  
N.T.S.

Checked By:  
D.R.K.

Date:  
05-12-31

Drawing No.

Approved:  
SURFACE WORKS COMMITTEE

SD-220B