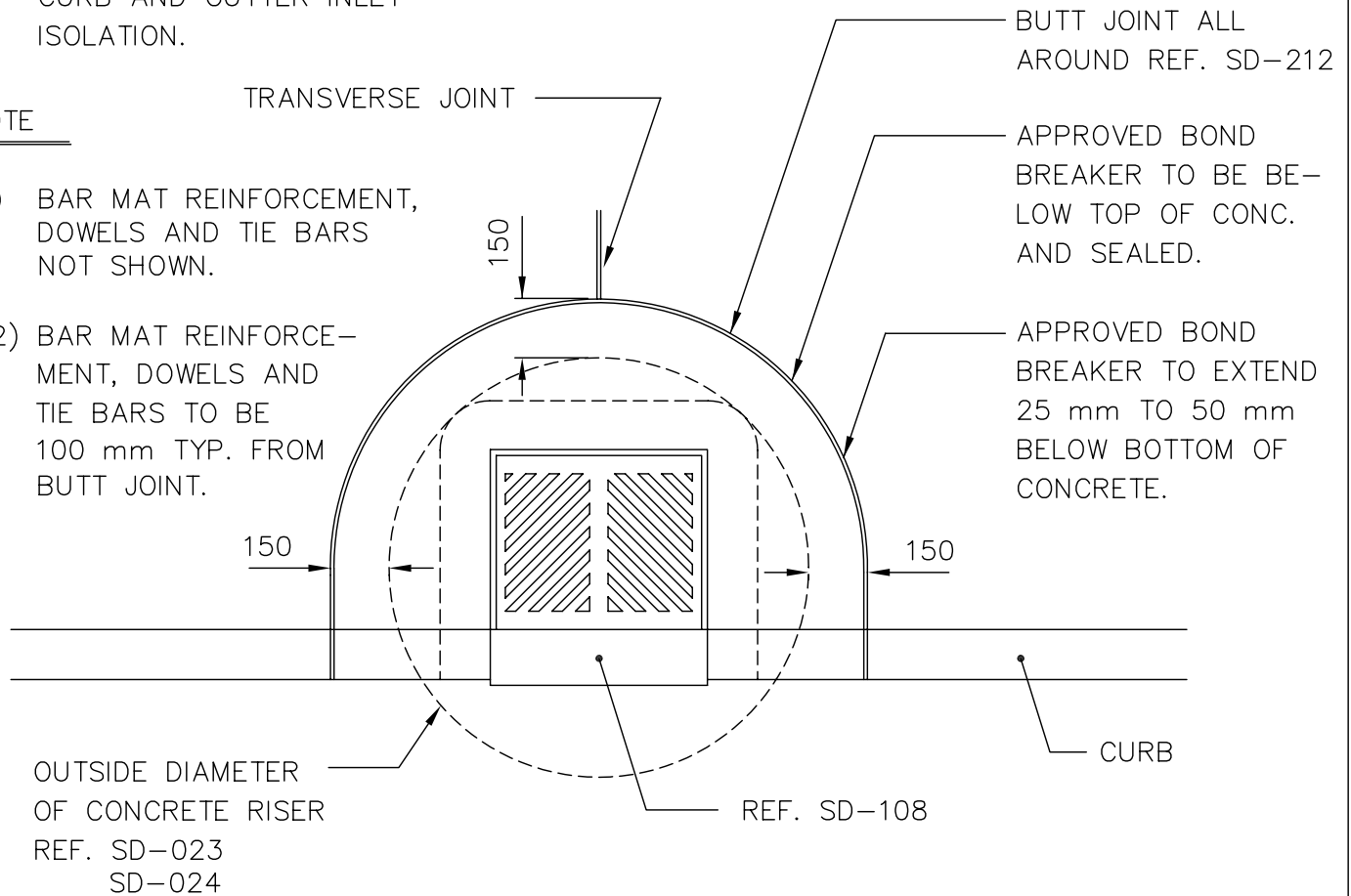


TRANSVERSE JOINT SPACING TO BE ADJUSTED SO THAT JOINT FALLS ON CENTRE OF CURB AND GUTTER INLET ISOLATION.

CURB AND GUTTER INLETS

NOTE

- 1) BAR MAT REINFORCEMENT, DOWELS AND TIE BARS NOT SHOWN.
- 2) BAR MAT REINFORCEMENT, DOWELS AND TIE BARS TO BE 100 mm TYP. FROM BUTT JOINT.



THE CITY OF WINNIPEG
PUBLIC WORKS DEPARTMENT

Reference Spec. No.
CW 3205, CW 3210, CW 3310

DIMENSIONS ARE IN MILLIMETRES

CURB AND GUTTER INLET
ISOLATION DETAIL

Designed By:
L.S.W.L. / K.T.

Drawn By:
T.G.A.

Scale :
N.T.S.

Checked By:
B.P.

Date:
08-12-15

Drawing No.

Approved:
SURFACE WORKS COMMITTEE

SD-220C