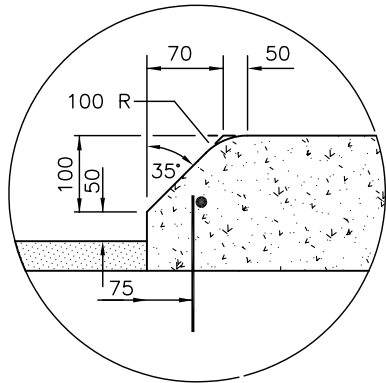
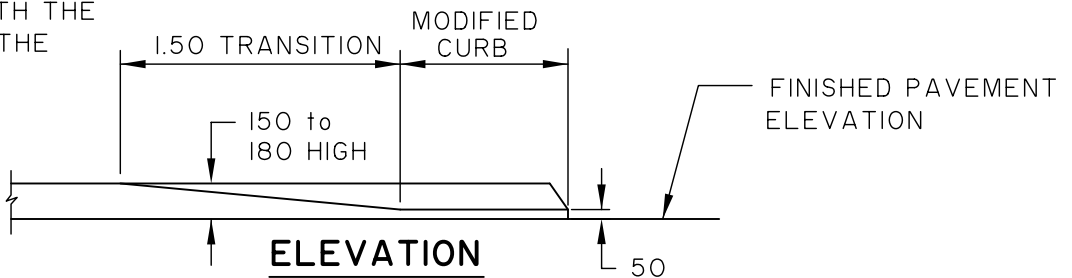


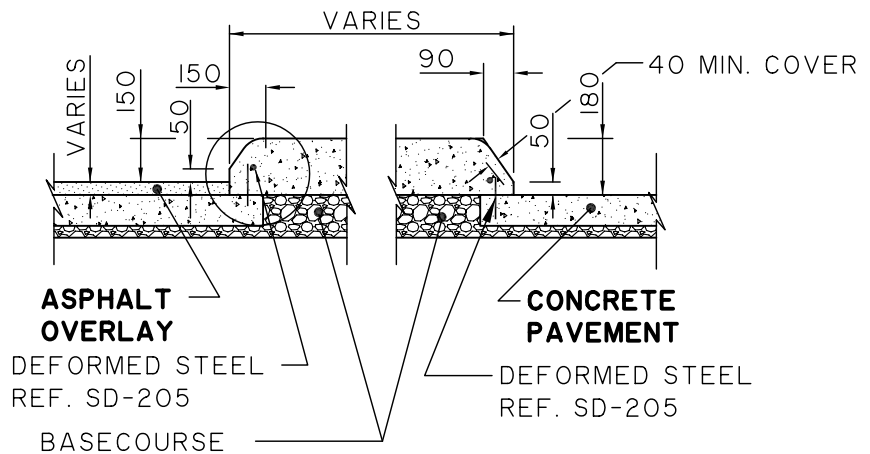
**PLAN**

NOTE 2: CONTRACTION JOINT  
SPACING TO CONCIIDE WITH THE  
TRANSVERSE JOINTS IN THE  
ADJACENT CONC LANES



**MODIFIED CURB at  
BULLNOSE DETAIL  
(DETAIL SHOWN WITH OVERLAY)**

**MONOLITHIC CONCRETE BULLNOSE**



**(SECTION A-A)**

DIMENSIONS ARE IN MILLIMETRES

NOTE 1: FINISHED CURB HEIGHT  
-150 FOR ASPHALT OVERLAYS  
-180 FOR CONCRETE PAVEMENT



**THE CITY OF WINNIPEG**  
PUBLIC WORKS DEPARTMENT

Reference Spec. No.  
CW-3310, CW-3235

Revisions			
No.	Date	Description	By

**MONOLITHIC CONCRETE BULLNOSE**

Designed By: D.R.K.	Drawn By: twh	Scale : <b>N.T.S.</b>
Checked By: D.R.K.	Date: 04-12-31	Drawing No.
Approved: SURFACE WORKS COMMITTEE		<b>SD-227C</b>