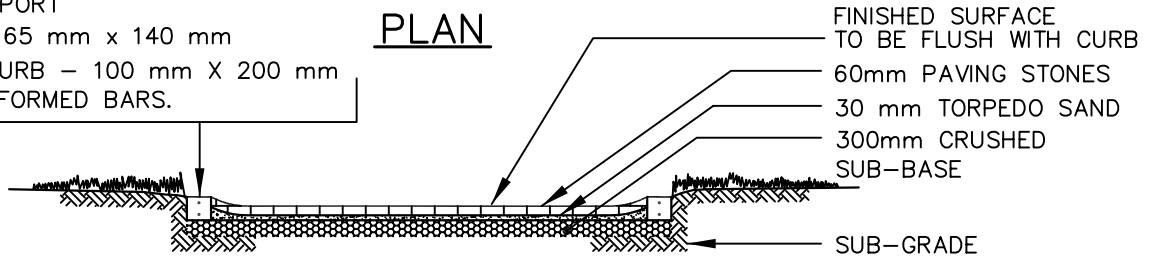


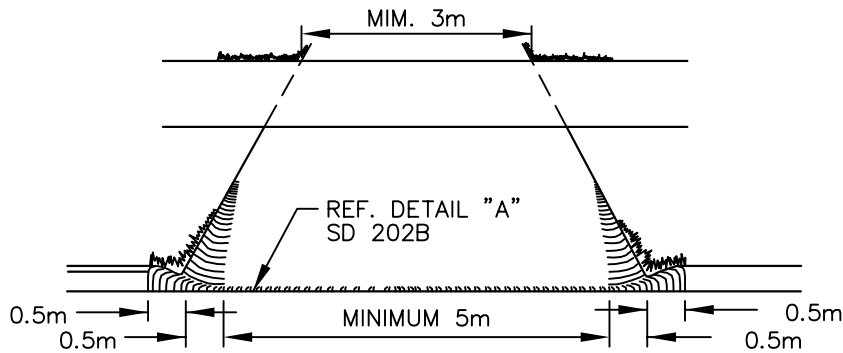
OPTIONS

1. PLASTIC EDGE SUPPORT
2. PRECAST CURB - 65 mm x 140 mm
3. CAST-IN-PLACE CURB - 100 mm X 200 mm WITH TWO 15M DEFORMED BARS.

PLAN



SECTION 'A'-'A' FOR PAVING STONE APPROACH



FRONTAL PERSPECTIVE OF FINISHED PRIVATE APPROACH



THE CITY OF WINNIPEG
PUBLIC WORKS DEPARTMENT

Reference Spec. No.
CW 3230, CW 3310, CW 3330
CW 3240

**RESIDENTIAL APPROACH—PAVING STONE
(WITH EXISTING BARRIER CURB)**

Designed By:
A.P.

Drawn By:
T.G.A.

Scale :
N.T.S.

Checked By:
D.R.K.

Date:
09-02-02

Drawing No.

Approved:
SURFACE WORKS COMMITTEE

SD-237A