

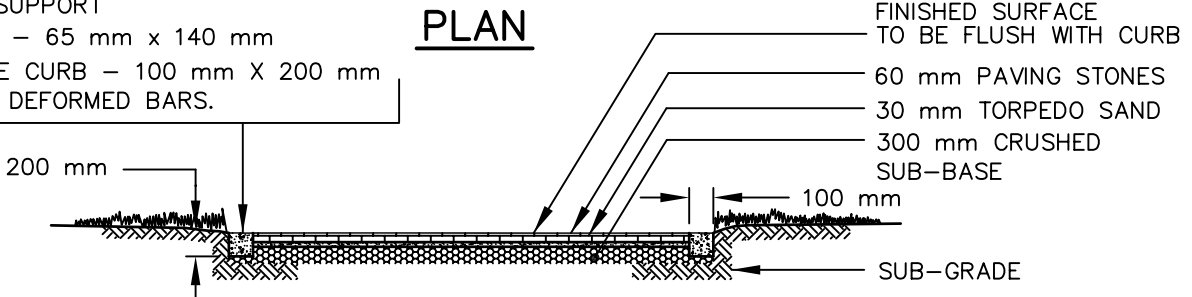
NOTE:
EXISTING SIDEWALK SHALL BE REMOVED AND THE APPROACH EXTENDED BACK TO THE PROPERTY LINE AS SHOWN.

NOTE:
2. APPLICABLE FOR EXISTING LIP CURBS < 80mm. IF CURB > 80mm REF SD-202B.

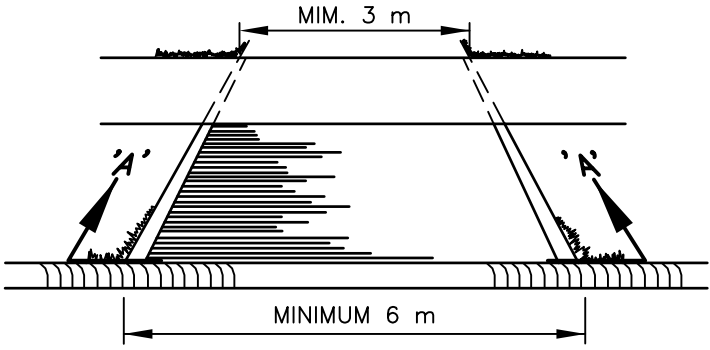
OPTIONS

1. PLASTIC EDGE SUPPORT
2. PRECAST CURB - 65 mm x 140 mm
3. CAST-IN-PLACE CURB - 100 mm X 200 mm WITH TWO 15M DEFORMED BARS.

PLAN



SECTION 'A'-'A' FOR PAVING STONE APPROACH



FRONTAL PERSPECTIVE OF FINISHED PRIVATE APPROACH



THE CITY OF WINNIPEG
PUBLIC WORKS DEPARTMENT

Reference Spec. No.
CW 3230, CW 3310, CW 3330
CW 3410

**RESIDENTIAL APPROACH-PAVING STONE
(WITH EXISTING LIP CURB)**

Designed By:
L.S.W.L.

Drawn By:
T.G.A.

Scale :
N.T.S.

Checked By:
D.R.K.

Date:
09-02-02

Drawing No.

Approved:
SURFACE WORKS COMMITTEE

SD-238A