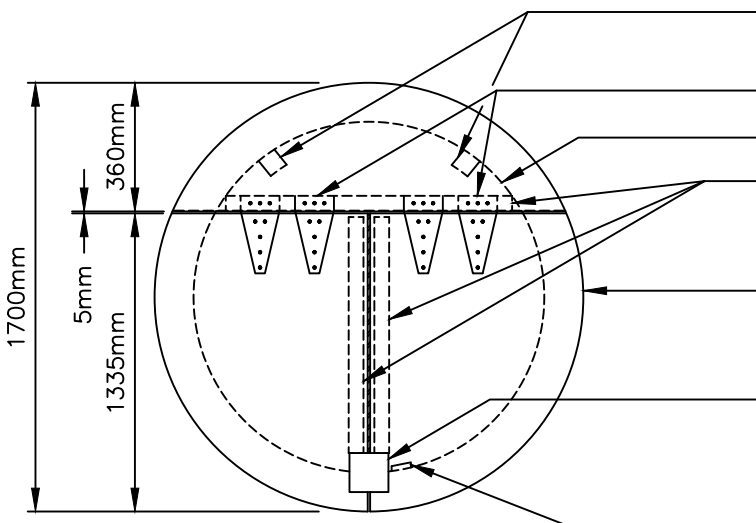


SECTION



PLAN VIEW

- ANGLE IRON WELDED TO INSIDE OF C.S.P. & FLUSH WITH UNDERSIDE OF STEEL PLATE.
- HEAVY DUTY TEE HINGES.
- 1500mm ϕ 12 GAUGE GALV. C.S.P.
- 38mm x 38mm x 1100mm ANGLE IRON WELDED TO UNDERSIDE OF LIDS.
- 1700mm ϕ x 6mm THICK GALV. STEEL LID CUT IN THREE AS SHOWN.
- 6mm x 100mm x 100mm GALV. STEEL PLATE WELDED TO LOCKABLE SIDE OF LID.
- 6mm x 25mm x 150mm GALV. STEEL PLATE WELDED VERT. TO INSIDE OF C.S.P. 9mm ϕ HOLE TO BE CENTRED IN PLATE 25mm ABOVE LID & 14mm BELOW TOP OF PLATE.

 **THE CITY OF WINNIPEG**
PUBLIC WORKS DEPARTMENT

Reference Spec. No.
CW 3530

Revisions			
No.	Date	Description	By
1.	JAN 03	GENERAL REVISION	R.B.

TYPICAL DOUBLE CHECK VALVE
ASSEMBLY and METER
IN C.S.P. ENCLOSURE

Designed By: R.G.Z.	Drawn By: R.B.	Scale : N.T.S.
Checked By: A.G.	Date: 2022-01-18	Drawing No.
Approved: PAVEMENT MANAGEMENT BRANCH		SD-241