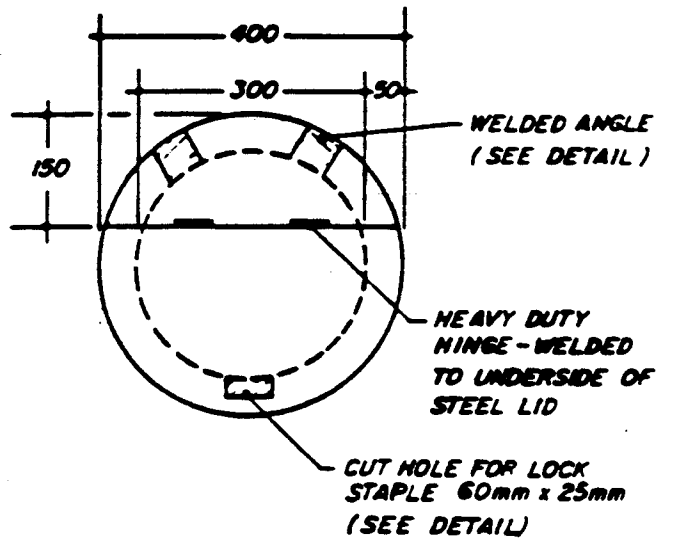
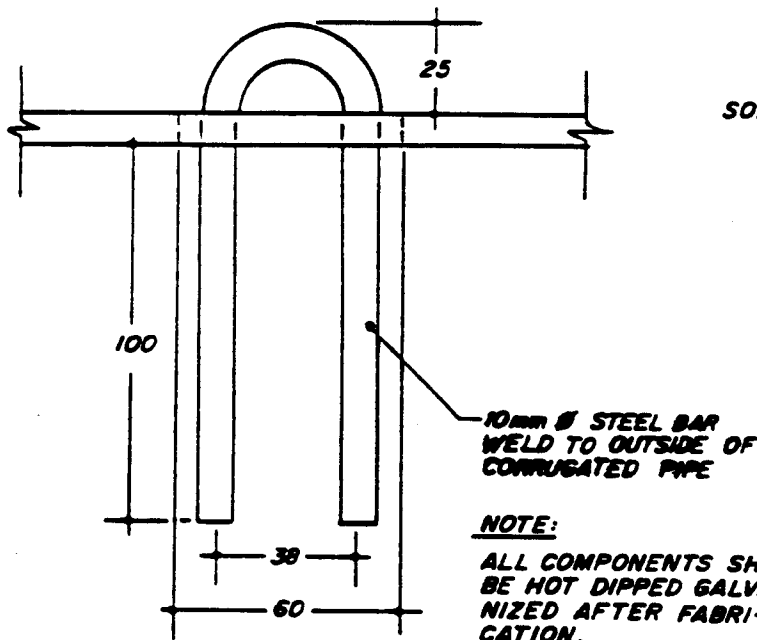


ANGLE DETAIL



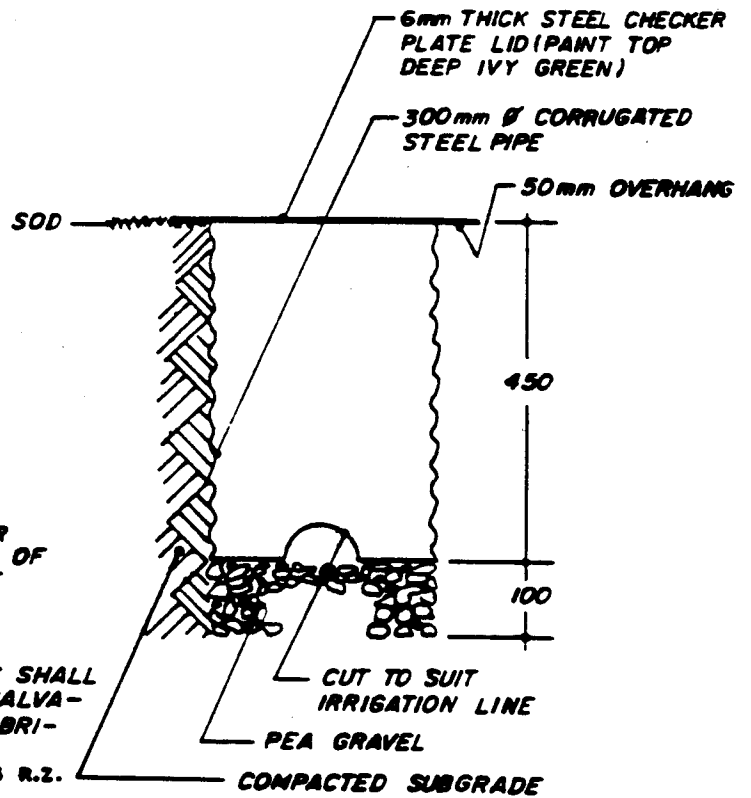
PLAN



LOCK STAPLE DETAIL

**NOTE:**  
ALL COMPONENTS SHALL BE HOT DIPPED GALVANIZED AFTER FABRICATION.

DEC 85 R.Z.



SECTION DIMENSIONS IN MILLIMETRES

**The City Of Winnipeg**  
Works & Operations Division

Reference Spec. No.  
CW 3530

C.S.P. ENCLOSURE FOR GATE VALVE

Designed By: R.G.Z.	Drawn By: G.R.	Scale: N.T.S.
Checked By: J.P.T.	Date: MARCH 1990	Drawing No. SD - 242
Approved: <i>W. Larkin</i>		