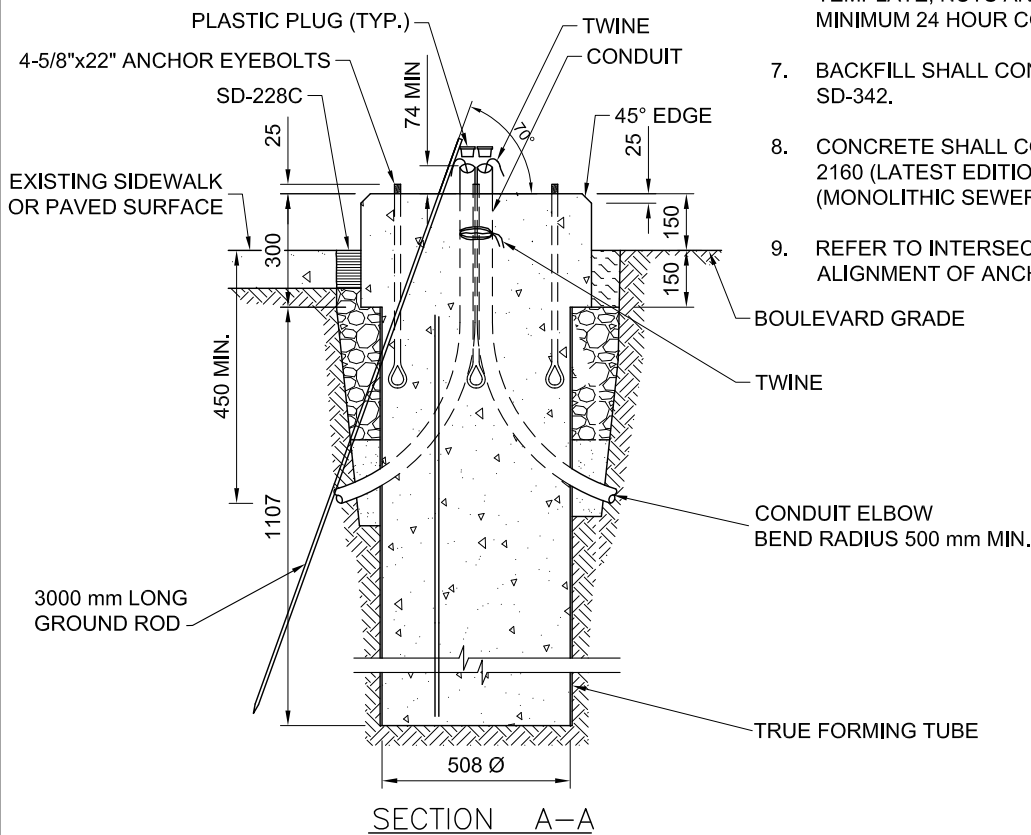


NOTES:

1. 508 mm Ø TRUE FORMING TUBE SHALL BE USED.
2. ANCHOR BOLT TEMPLATE TO BE SUPPLIED BY CONTRACT ADMINISTRATOR.
3. THREADED PORTION OF ANCHOR EYEBOLTS SHALL BE COATED WITH OIL PRIOR TO CONCRETE POUR.
4. ALL CONDUITS SHALL BE BUNDLED INTO A GROUP IN CENTRE OF BASE, AND TIED TOGETHER BELOW THE TOP OF THE BASE PRIOR TO CONCRETE POUR. INSTALL PLASTIC PLUGS PRIOR TO CONCRETE POUR.
5. INSTALL GROUND ROD IN EVERY BASE AT A 70 DEGREE ANGLE. MINIMUM OF 150MM PROTRUDING FROM TOP OF BASE. MORE THAN HALF INCASED IN THE EARTH AND LESS THAN HALF INCASED IN THE CONCRETE.
6. CONTRACTOR SHALL REMOVE AND SALVAGE BASE TEMPLATE, NUTS AND REMOVE FORMS FOLLOWING A MINIMUM 24 HOUR CONCRETE CURING PERIOD.
7. BACKFILL SHALL CONFORM TO REQUIREMENTS OF SD-342.
8. CONCRETE SHALL CONFORM TO REQUIREMENTS OF CW 2160 (LATEST EDITION) FOR TYPE A STRUCTURES (MONOLITHIC SEWERS AND REINFORCED STRUCTURES).
9. REFER TO INTERSECTION LAYOUT DRAWING FOR ALIGNMENT OF ANCHOR BOLTS.



DIMENSIONS ARE IN MILLIMETRES
(UNLESS OTHERWISE NOTED)



THE CITY OF WINNIPEG
PUBLIC WORKS DEPARTMENT

Revisions

Reference Spec. No.
CW 3620-R5

No.	Date	Description	By
3	13/03/07	REMOVE ONE ROD- TRAFFIC SIGNALS	MC
2	12/11/14	REVISED BY DILLON CONSULTING	DBW
1	92/4/19	RELOCATED GROUND ROD	

PEDESTAL BASE

Designed By: C.K.	Drawn By: A.R.	Scale : N.T.S.
Checked By: -	Date: 95-03-01	Drawing No.
Approved:		SD-302