

**CONSTRUCTION NOTES**

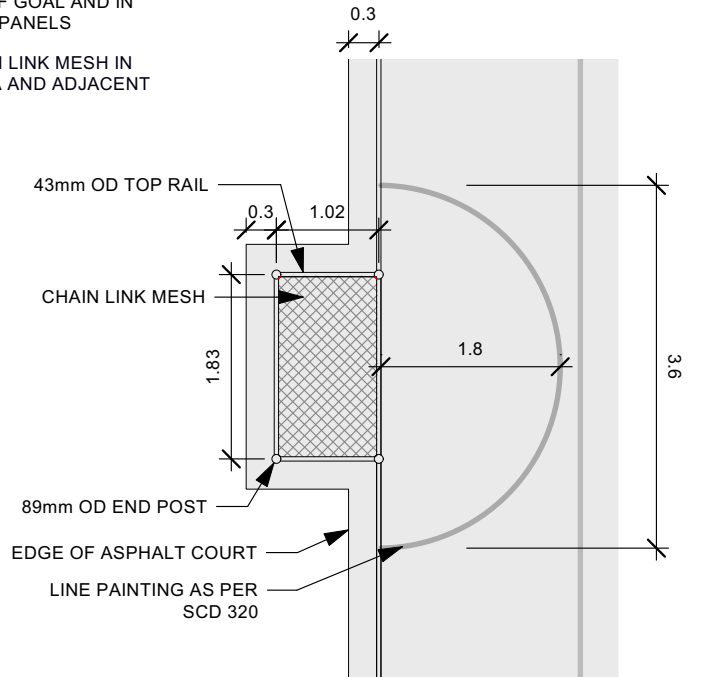
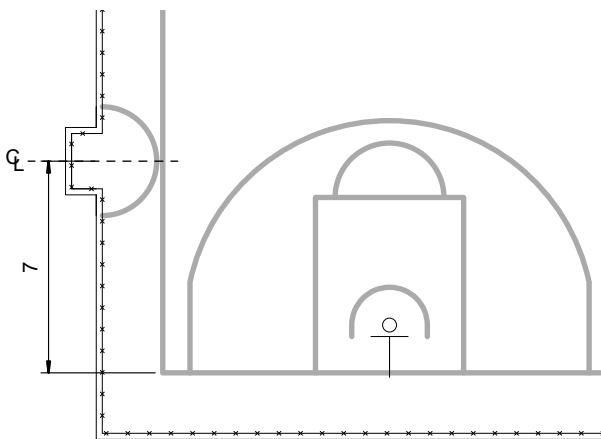
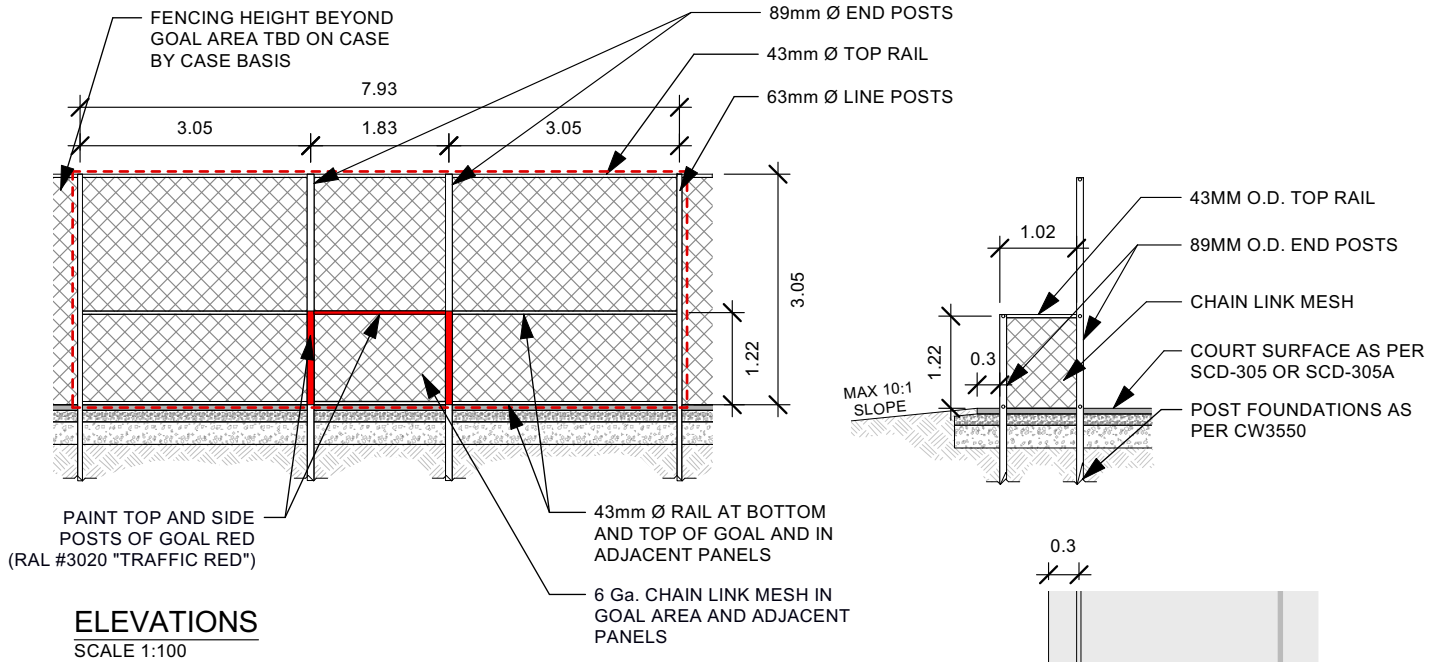
1. ALL CHAINLINK FENCING SHALL CONFORM TO CW 3550.
2. INSTALL 6 Ga. MESH IN GOAL AREA AND ADJACENT PANELS (OUTLINED IN RED DASHED LINE). ISOLATE MESH IN AREA BY ENDING 7.93 M SEGMENT WITH TENSION BANDS ON EACH LINE POST.
3. POSTS PAINTED RED SHALL INCLUDE ONE COAT OF INTERNATIONAL - DEVOE DEVRAN 201H EPOXY - 2.0 - 3.0 MILS DFT PRIMER (OR APPROVED SUBSTITUTE) AND ONE COAT OF DEVTHANE 378 URETHANE "SEMI-GLOSS" ENAMEL - 2.0 - 3.0 MILS DFT FINISH COAT (OR APPROVED SUBSTITUTE) APPLIED AS PER MANUFACTURER'S SPECIFICATIONS

Drawing Title:

**BASKETBALL COURT  
WITH CHAIN LINK HOCKEY GOAL**

Drawing No:

**SCD-321**



DIMENSIONS SHOWN ARE IN MILLIMETRES UNLESS OTHERWISE SPECIFIED

Revision: 1  
DATE: July 2023  
SCALE: As Shown  
DRAWN BY: MG

The City of Winnipeg  
Planning, Property and Development Department  
Planning and Land Use Division  
Unit 15 - 30 Fort Street, Winnipeg, MB, R3C 4X5

