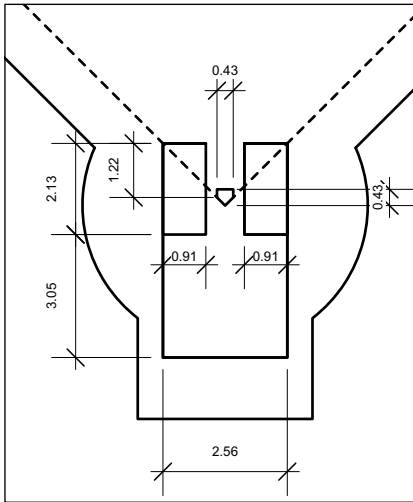


Drawing Title:

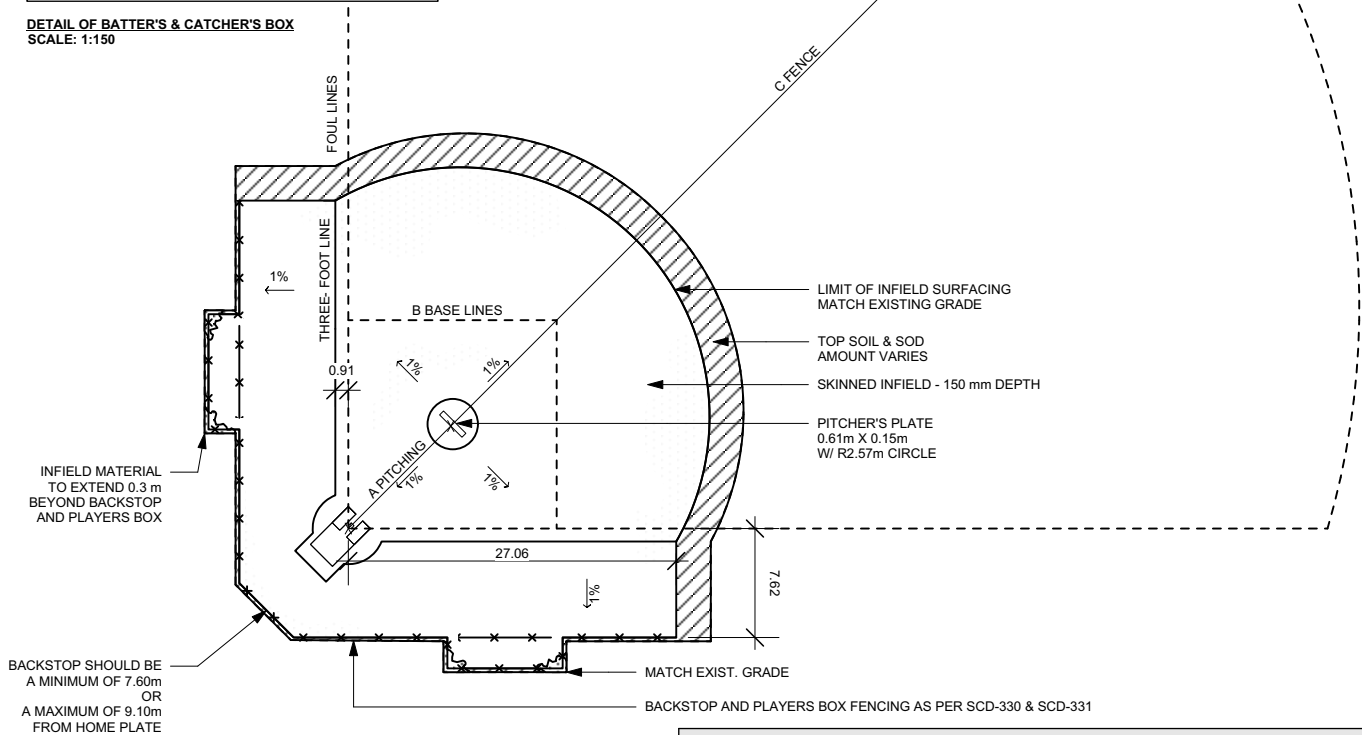
Drawing No:

BALL DIAMONDS SOFTBALL DIMENSIONS

SCD-332



DETAIL OF BATTER'S & CATCHER'S BOX
SCALE: 1:150



CONSTRUCTION NOTES:
1. ENSURE POSITIVE DRAINAGE OFF OF INFIELD.
2. GRADE INFIELD TO PROVIDE LEVEL BASE PATHS.

MALE			
LEVEL OF PLAY	PITCHING A	BASELINES B	FENCES C
Senior&U21&U18	14.0 m	18.3 m	68.6 m - 81.0 m
U16	12.8 m		64.0 m - 76.2 m
U14	12.2 m	16.76 m	51.8 m - 68.6 m
U12	10.67 m	13.7 m	48.5 m - 68.6 m
U10&U8&U6	9.14 m		
FEMALE			
Senior&U21	13.1 m	18.3 m	67.1 m - 71.6 m
U18			61.0 m - 64.0 m
U16	12.2 m		54.9 m - 64.0 m
U14	11.58 m		51.8 m - 64.0 m
U12	10.67 m	16.76 m	48.5 m - 64.0 m
U10&U8&U6	9.14 m	13.7 m	45.7 m - 64.0 m

Revision: 0

Scale: N.T.S.

Drawn By: GZ

Date: March 22, 2021

THE CITY OF WINNIPEG
Planning, Property and Development Department
Planning and Land Use Division
Unit 15 - 10 Fort Street, Winnipeg, MB, R3C 4X5

