

Drawing Title:

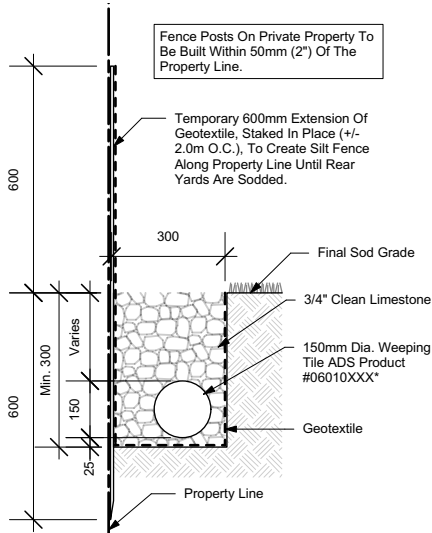
Drawing No:

# Property Line Drainage Trench Connected to Catch Basin

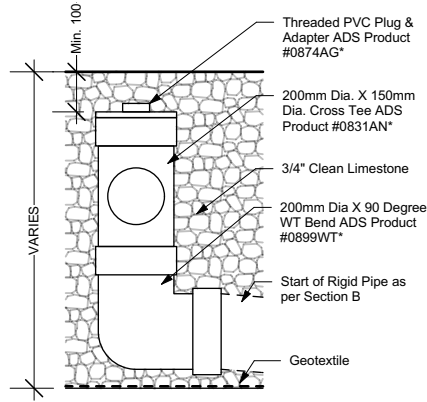
## SCD-665

### General Notes

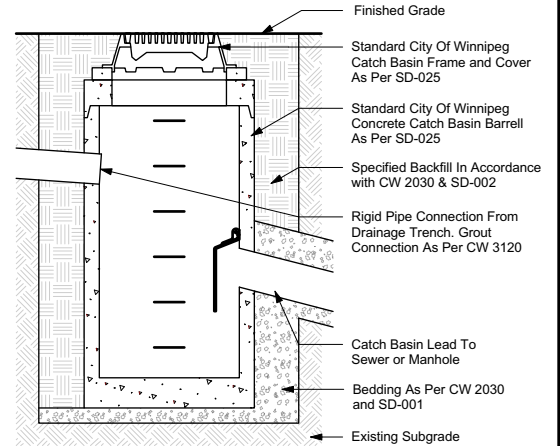
- \*Use ADS Product Specified or Approved Equal
- Clean Outs to be Located at all High Points, Low Points (Pipe to Catch Basin Connections) and at any Upstream Start Or Pipe Runs.
- Clean Outs Located Preferably At Property Lot Line Intersections So Easier To Find



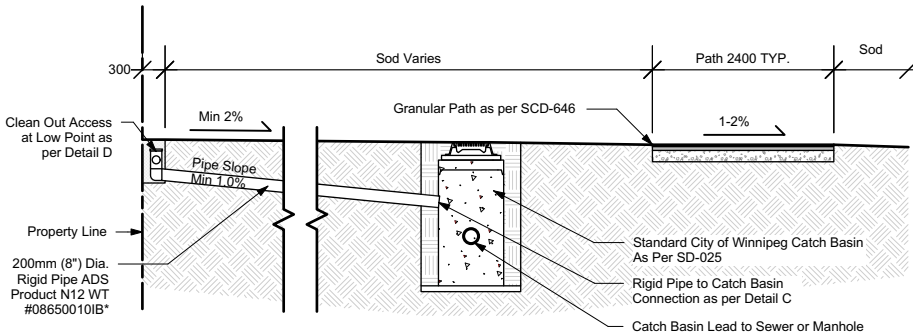
**SECTION C**  
Drainage Trench With Weeping Tile



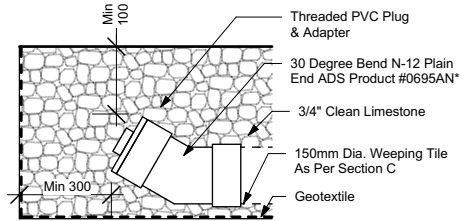
**DETAIL D**  
Clean Out Access at Low Points  
(Pipe to Catch Basin Connections)



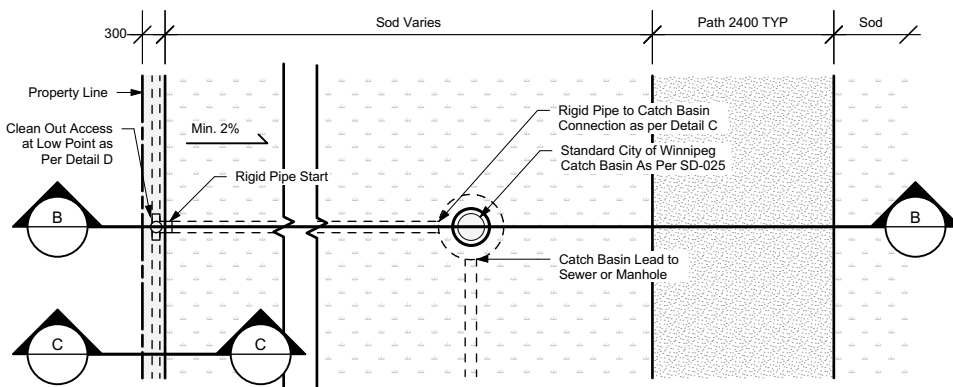
**DETAIL G**  
Rigid Pipe to Catch Basin Connection



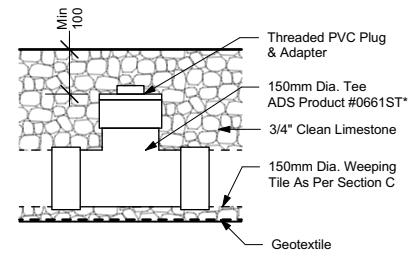
**SECTION B**  
Rigid Pipe to Catch Basin Connection



**DETAIL F**  
Upstream/Start of Pipe



**PLAN A**  
Rigid Pipe to Catch Basin Connection



**DETAIL E**  
Clean Out Access at High Points

Revision:

DATE: October, 2023  
 SCALE: N.T.S.  
 DRAWN BY: MG

The City of Winnipeg  
 Planning, Property and Development Department  
 Planning and Land Use Division  
 Unit 15 - 30 Fort Street, Winnipeg, MB, R3C 4X5

