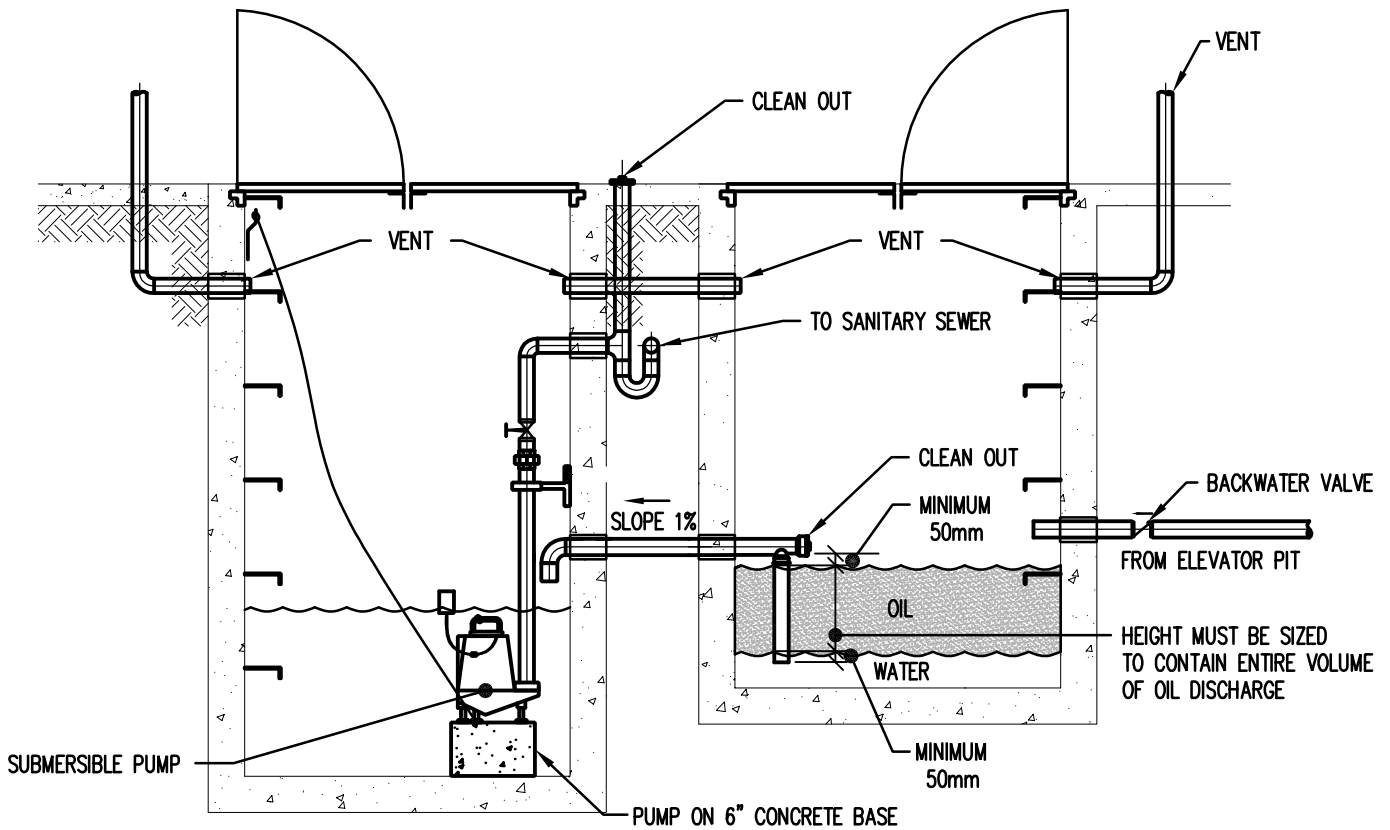


PLAN VIEW



SECTION VIEW

1 ELEVATOR OIL INTERCEPTOR PIT DETAIL C/W SUMP PUMPS
 - SCALE: N.T.S.



WINNIPEG OFFICE Bus: (204) 943-2393 info@williamsengineering.com
 500 - 321 McDermot Avenue Corp Office: 1-800-263-2393 www.williamsengineering.com
 Winnipeg, MB R3A 0A3 Fax: (204) 943-2251

JOB. TITLE: **CITY OF WINNIPEG
 WATER AND WASTE DEPARTMENT
 WASTEWATER PPD BRANCH**

DWG. TITLE: **MECHANICAL
 ELEVATOR OIL INTERCEPTOR DETAIL**

DWN. BY: JLG	DES. BY: JLG	PROJ. MGR.:
PEER REVIEW:	DATE: (YY-MM-DD) 2011.12.15	SCALE: N.T.S.
CLIENT PROJ. #	WE PROJ. #	OF 1 REV # 0
DWG #		MSK-01