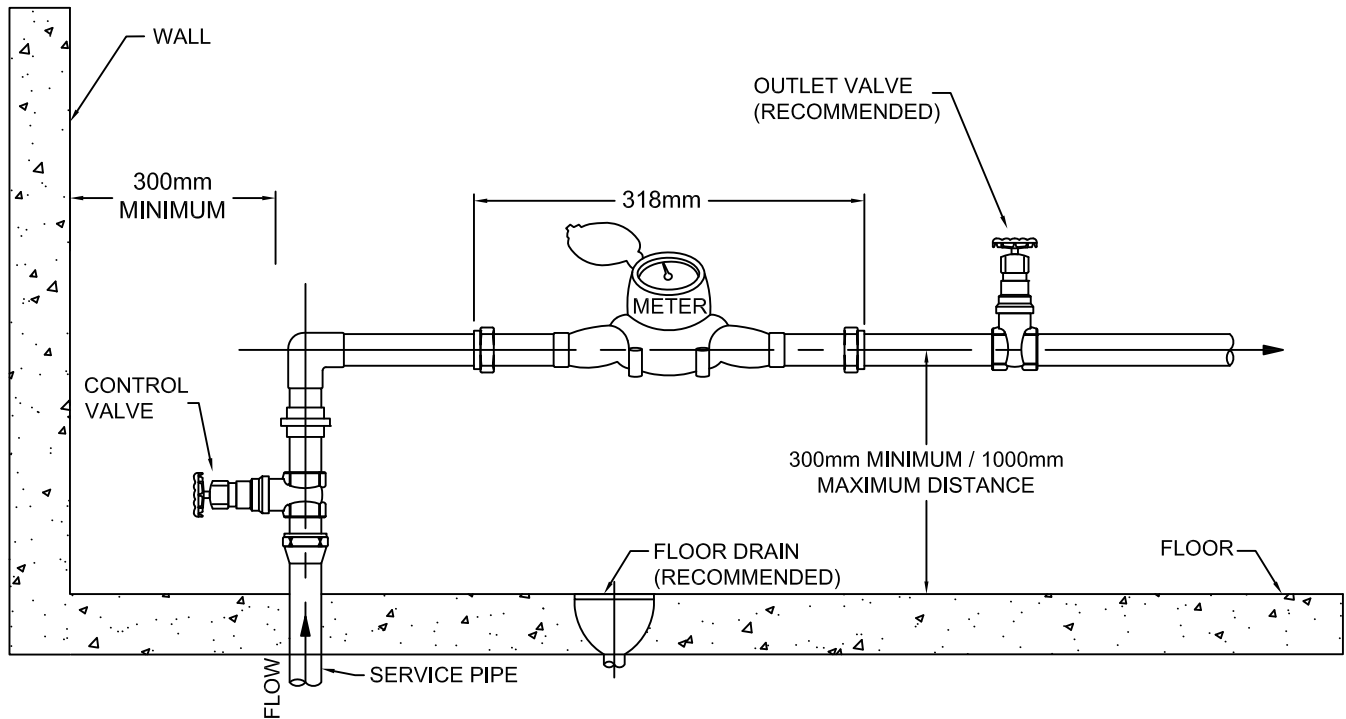


# TYPICAL RESIDENTIAL INSTALLATION



PROPOSED ADDITION TO THE CITY OF WINNIPEG STANDARD CONSTRUCTION SPECIFICATIONS



**THE CITY OF WINNIPEG**  
**WATER & WASTE DEPARTMENT**

INSTALLATION DETAILS FOR  
 POSITIVE DISPLACEMENT AND  
 NON-MECHANICAL TYPE WATER METER  
 IN BUILDINGS  
 20mm DOMESTIC SERVICE PIPE


**INSTALLATION DETAILS FOR  
POSITIVE DISPLACEMENT AND  
NON-MECHANICAL TYPE WATER METER  
IN BUILDINGS**

METER SIZE	A (mm)
16mm (5/8")	318

**NOTES:**

- 1) PIPE SUPPORT / ANCHORING MUST BE PROVIDED TO MAINTAIN PIPE ALIGNMENT AND TO SUPPORT THE WEIGHT OF THE PIPE, METER AND RELATED COMPONENTS
- 2) METERS MUST BE INSTALLED IN A HORIZONTAL POSITION
- 3) THE SERVICE PIPE MUST BE A MINIMUM OF 300mm FROM ANY ENTRANCE OR WALL
- 4) COPPER TO FEMALE IRON PIPE THREAD ADAPTORS MUST BE SUPPLIED TO ACCOMMODATE METER TAILPIECES
- 5) THE CONTROL AND OUTLET VALVE MUST BE FULL PORT GATE OR BALL VALVES
- 6) NO CONNECTIONS ARE PERMITTED UPSTREAM OF THE WATER METER

**RECOMMENDATIONS:**

- 1) OUTLET VALVE
- 2) METER TO BE INSTALLED IN CLOSE PROXIMITY TO FLOOR DRAIN ON AN UNFINISHED FLOOR
- 3) PROVIDING UNOBSTRUCTED SPACE OF 1000mm WIDE BY 1000mm DEEP BY 2000mm HIGH, CENTERED IN FRONT OF THE WATER METER, WILL BE DEEMED COMPLIANT WITH THE ACCESS REQUIREMENTS OF THE WATER BY-LAW

**PROPOSED ADDITION TO THE CITY OF WINNIPEG STANDARD CONSTRUCTION SPECIFICATIONS**



**THE CITY OF WINNIPEG  
WATER & WASTE DEPARTMENT**

**INSTALLATION DETAILS FOR  
POSITIVE DISPLACEMENT AND  
NON-MECHANICAL TYPE WATER METER  
IN BUILDINGS  
20mm DOMESTIC SERVICE PIPE**
